

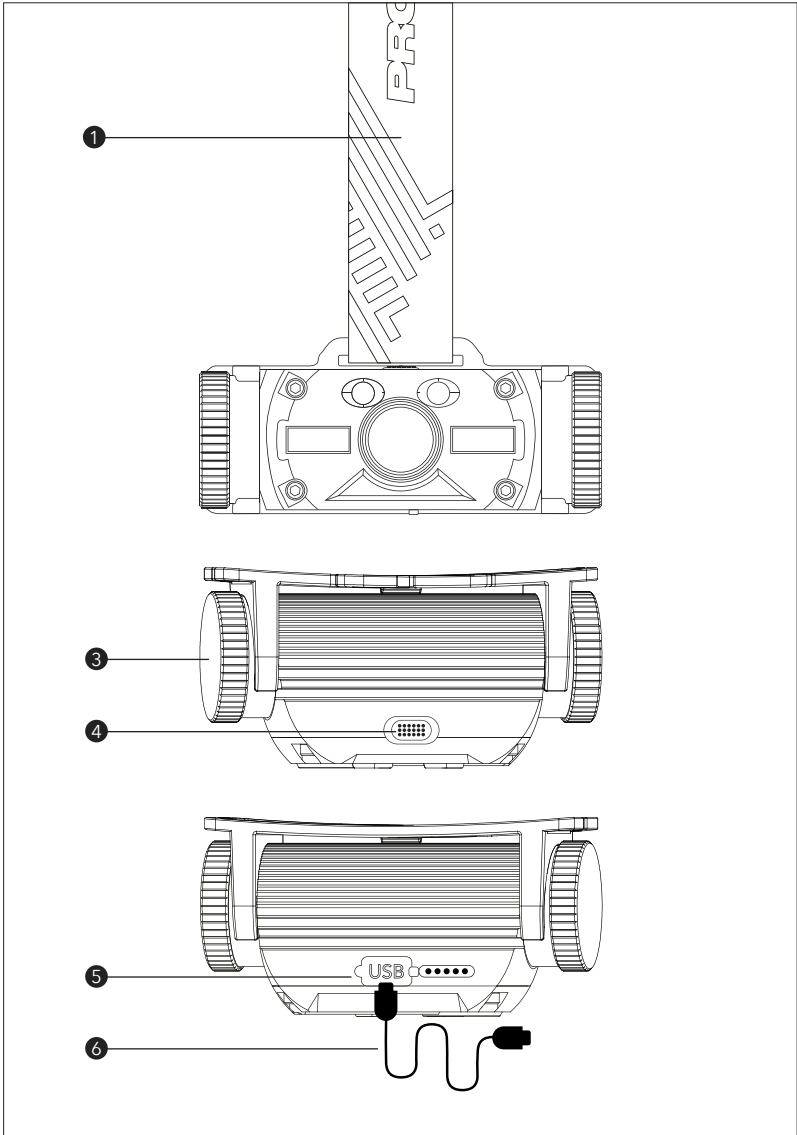
**PROZIS**

**SATURN**

LED Headlamp

User Manual  
Warranty Statement

V.1 03/2021



---

## Language index

<b>EN</b>	4
<b>FR</b>	12
<b>DE</b>	19
<b>IT</b>	26
<b>ES</b>	33
<b>PT</b>	40


Prozis is a registered trademark of PROZIS.COM, S.A.

Prozis reserves the right to adjust or modify the product or any of the associated documentation in order to ensure its suitability for use, at any time and without prior notice.

**NOTE:** The most recent version of this product's user manual can be found at [www.prozis.com/user-manuals](http://www.prozis.com/user-manuals)

---

## Legal compliance statement

 By means of this document, PROZIS declares that the Prozis Saturn Headlamp is fully compliant with all the standards specified in the applicable legislation as well as other relevant clauses.

Prozis will always be available for any additional clarification through our customer support communication channels, available at [www.prozis.com/support](http://www.prozis.com/support)



To avoid any impact on the environment or human health due to dangerous substances present in electrical and electronic devices, the end users of such devices are expected to understand the meaning of the symbol consisting of a crossed-out waste container. Do not dispose of electrical and electronic equipment along with unsorted household waste. Dispose of it separately and properly instead.



Used batteries should not be disposed of along with household waste. They must be placed in a special container for used batteries. This is an obligation intended to ensure the ecological disposal of batteries. Dispose of them only when they are empty.



The packaging that protects the device against transport damage is made from non-polluting materials that can be disposed of via local recycle bins.



### FCC Information to the user

This device complies with part 15 of the FCC Rules. Operation is subject to the following two conditions: (1) this device may not cause harmful interference, and (2) this device must accept any interference received, including interference that may cause undesired operation.

This equipment has been tested and found to comply with the limits for a Class B digital device, pursuant to part 15 of the FCC Rules. These limits are designed to provide reasonable protection against harmful interference in a residential installation. This equipment generates, uses and can radiate radio frequency energy and, if not installed and used in accordance with the instructions, may cause harmful interference to radio communications. However, there is no guarantee that interference will not occur in a particular installation. If this equipment does cause harmful interference to radio or television reception, which can be determined by turning the

equipment off and on, the user is encouraged to try to correct the interference by one or more of the following measures:

- Reorient or relocate the receiving antenna.
- Increase the separation between the equipment and receiver.
- Connect the equipment into an outlet on a circuit different from that to which the receiver is connected.
- Consult the dealer or an experienced radio/TV technician for help.



**CAUTION:** Changes or modifications not expressly approved by the party responsible for compliance could void the user's authority to operate the equipment.

## Safety warnings



**DANGER!** This symbol, when combined with the note **Danger**, highlights a dangerous situation. Failure to observe this warning may lead to injury to life and limb.



### **DANGER FOR CHILDREN AND PEOPLE WITH DISABILITIES**

- This device can be used by children 8 years old and over, and by people with reduced physical, sensory or mental capabilities or lack of experience and knowledge provided their use is supervised or they have been given instructions concerning the use of the device in a safe way and understand the hazards involved.
- Children must not play with the device.
- Packing materials are not children's toys. Children must not play with the packing material due to risk of suffocation.
- Cleaning and maintenance must not be performed by children without supervision.
- Keep the appliance out of the reach of children.
- Keep batteries out of reach of children. Should a child swallow a battery, consult a physician immediately.



### **BATTERY WARNINGS**

- Do not recharge non-rechargeable batteries. There is a risk of explosion and injury!
- Do not throw batteries in a fire. There is a risk of explosion and injury!
- Use the specified battery type only. Do not mix and/or use old batteries and new batteries, or batteries from different brands.
- Do not connect the + and - electrodes to each other using metal or wire. Do not carry or store batteries along with metallic objects.
- Avoid direct soldering to batteries.
- Keep batteries away from direct sunlight, high temperatures, and high humidity.
- Check the condition of the batteries on a regular basis.
- Leaking batteries can damage the device. If the batteries have leaked, use protective gloves. Clean the battery compartment and the batteries with a clean, dry cloth.
- Immediately remove depleted batteries from the device and dispose of them properly.

Otherwise, there is an increased risk of leakage.

- Electrostatic charge can lead to device failure. If the appliance does not work, replace the batteries.

**To prevent harm or injury to users or others, make sure to comply with the below requirements.**

- Protect the appliance and the USB charging cable from the elements: rain, moisture, direct sunlight, extreme temperatures, or dirt.
- Keep the device dry. Never submerge the device in water.
- Do not use the device if it, or parts of it, are visibly damaged.
- Do not alter or modify the device in any way.
- The LED lights are not replaceable. If they fail prematurely or if they reach the end of their lifespan, the entire product must be replaced.
- Handle the product with care. Bending, puncturing or dropping it may damage the LED and the battery.



**CAUTION! POSSIBLE HAZARDOUS OPTICAL RADIATION.**

Do not stare at the lamp while switched on. It can damage your eyes.

---

## User manual

### PACKAGE CONTENTS

- 1 × Prozis Saturn - LED Headlamp
- 1 × Head holder
- 1 × 18650 Battery
- 1 × 18560 Battery holder
- 1 × 3 AAA Battery holder
- 1 × USB charging cable
- 1 × Quick guide

### PRODUCT OVERVIEW (SEE PAGE 2)

1. Head strap
2. Headlamp
3. Battery holder
4. Power and mode button
5. USB charging port
6. USB charging cable

### Maintenance and cleaning

Switch the product off and remove all plugs before cleaning!

Do not use aggressive or abrasive cleaning agents or materials such as scouring milk or steel wool. They can damage the upper surface of the appliance!

Protect the device from water drops and water spray. Use only a clean, dry cloth for cleaning the appliance and never use any corrosive liquids. Use a slightly damp cloth and a mild cleaning agent to remove any stubborn dirt.

Make sure moisture does not enter the product while cleaning to prevent damage to the product and related repairs.

Please clean the screw of the headlamp with a soft cloth every six months, and lubricate the screw with silicone oil.

### Storage

When no longer using the device, store it in a dry environment, protected from dust and direct sunlight.

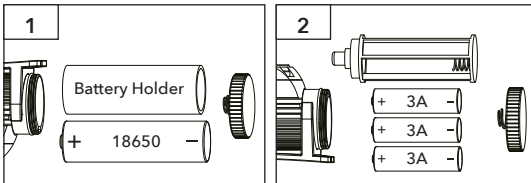
If the appliance is not going to be used for a long period of time, you should recharge it on a regular basis. This helps maintain battery performance.

Store your appliance inside the original case provided.

### INSTRUCTIONS

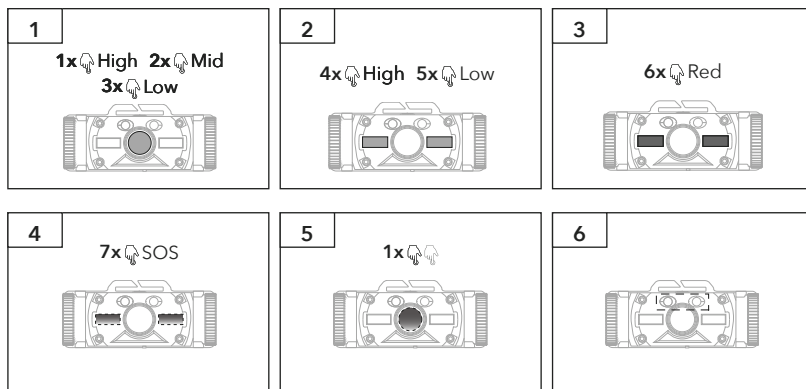
**NOTE:** The head strap is ergonomically shaped to give comfortable fit. Use the 2 adjustment buckles to adjust it to your head.

#### Battery installation



1. 18650 Battery (included)
2. 3 × AAA Battery (not included)

## Operation modes



1. XM-L Modes
2. COB Modes
3. COB Red
4. Red Strobe
5. Strobe
6. Motion Sensor

**Note:** If left in any mode for longer than 5 seconds, pressing once will switch the light off. In any mode, long-press for 2 seconds to activate the motion sensor. The light can then be switched on and off by waving your hand in proximity of the sensor.

## Battery charging

Connect the appliance to the charger or to a USB port using the included cable.

On the bottom of the appliance there are four LED lights showing the battery status while charging.

CHARGING					
Power indicator light	○○○○	●○○○	●●○○	●●●○	●●●●
Remaining capacity	1-24%	25-44%	45-69%	70-100%	100%

DISCHARGING				
Power indicator light	●○○○	●●○○	●●●○	●●●●
Remaining capacity	≤24%	25-44%	45-69%	70-100%

- On
- Off
- Flashing



## Troubleshooting

Some issues that arise may be solved by the user. If the problem persists after having tried the following solutions, please contact Prozis customer service.

PROBLEM	CAUSE	SOLUTION
The appliance does not switch on.	The battery is empty.	Recharge the battery.
The product switches itself off automatically.	The battery is empty.	Recharge the battery.

## Warranty statement

All electrical and electronic products commercialized by Prozis via [www.prozis.com](http://www.prozis.com) are covered by the warranty applicable to the purchase and sale of consumer goods.

### GENERAL CONSIDERATIONS

This document contains the terms and conditions of Prozis' warranty for final consumers.

This warranty is valid exclusively for consumers who purchase the product for non-professional purposes.

### WARRANTY PERIOD

Prozis guarantees the product is to remain free from material and production defects for a 2-year period, counting from the date of initial purchase by a consumer and respective delivery, or for longer if legally established by the applicable national law.

In the event that repair is required, this 2-year period is suspended during repair time.

### CONSUMABLES

The gradual performance decrease caused by prolonged use of the product's consumable components, such as batteries, is not covered by this warranty unless the malfunction is caused by faulty design, materials or production.

### HOW TO MAKE A CLAIM

If the need arises to exercise the rights conceded to you through this warranty, please contact Prozis customer service via the communication channels provided on the Prozis website, and follow the provided instructions or recommendations. Contact and technical assistance information is also provided at the end of this warranty.

Any claims made regarding this warranty will only be valid if proof of purchase is presented by the original customer. This proof of purchase may be the original invoice or receipt, as long as it includes information regarding the date of purchase and the product's model name.

## **WARRANTY REPAIRS**

Any repairs made under this warranty cannot be made by third parties. This warranty does not apply to any repairs, or damage caused directly by such repairs, that have impacted or caused the damage that is the subject of the respective warranty claim.

## **EXCLUSIONS**

The following situations are not covered by this warranty:

1. Any wear and tear of parts and components resulting from normal product use.
2. Cracks, dents, scratches, and other types of superficial damage that only affect the product's appearance.
3. Any malfunction caused by inappropriate use of the product that does not comply with user manual instructions.
4. Use and storage of the product not complying with user manual instructions.
5. Opening of the product by a third party who is not authorized to proceed to its repair.
6. Altering or changing parts or components, whether internal or external.
7. Damage caused by battery leakage resulting from the breaking of any of its components, or from product misuse.
8. Malfunction or damage due to reasons that cannot be ascribed to the production or design of the product.
9. Use of the product in the context of a business, occupation or commerce.
10. Malfunction due to use that does not comply with the technical or security norms in force, or with user manual instructions.

The services provided by Prozis in order to repair or fix any fault or malfunction resulting from the verification of any of the aforementioned excluded situations will be subject to payment of labor, transport and component costs.

The customer shall bear all risks of loss and damage to the product during transportation to Prozis. This warranty will be void if the returned product arrives with labels or stickers that have been removed, damaged, tampered with or modified in any way.

## **LIMITED RESPONSIBILITY**

Prozis cannot be held responsible for indirect damage or loss due to usage of the product.

## **WHAT TO DO?**

To request warranty service, you must first contact Prozis customer service via the communication channels provided on the Prozis website, and follow the provided instructions and recommendations.

Send back the product inside its original packaging, including all accessories and documentation, to the following address:

PROZIS  
Rua do Cais nº 198  
4830-345 Póvoa de Lanhoso  
Braga - Portugal

**CONTACTS**

Prozis is always available for additional clarification through their customer service communication channel at [www.prozis.com/support](http://www.prozis.com/support)


Prozis est une marque déposée de PROZIS.COM, S.A.

Prozis se réserve le droit d'ajuster ou de modifier le produit ou toute la documentation associée afin d'assurer son adéquation à l'utilisation, à tout moment et sans préavis.

**REMARQUE :** La dernière version du manuel d'utilisation de ce produit est disponible sur [www.prozis.com/user-manuals](http://www.prozis.com/user-manuals)

---

## Déclaration de conformité légale

 Par le présent document, PROZIS déclare que la Lampe Frontale Saturn de Prozis est entièrement conforme à toutes les normes spécifiées dans la législation applicable ainsi qu'aux autres clauses pertinentes.

Prozis sera toujours disponible pour toute explication supplémentaire par le biais des canaux de communication du service client, disponibles sur [www.prozis.com/support](http://www.prozis.com/support)



Afin d'éviter tout impact sur l'environnement ou la santé humaine en raison des substances dangereuses présentes dans les appareils électriques et électroniques, les utilisateurs finaux doivent comprendre la signification du symbole représentant une poubelle barrée. Ne jetez pas les appareils électriques et électroniques dans les ordures ménagères non triées, mais plutôt séparément et de façon convenable.



Les piles usagées ne doivent pas être jetées avec les ordures ménagères. Elles doivent être placées dans un contenant spécial pour les piles usagées. Il s'agit d'une obligation visant à garantir l'élimination écologique des piles. Ne vous en débarrassez que lorsqu'elles sont vides.



L'emballage qui protège l'appareil contre les dommages dus au transport est constitué de matériaux non polluants qui peuvent être déposés dans des conteneurs de recyclage locaux.

---

## Avertissements de sécurité



**DANGER!** Ce symbole, lorsqu'il est associé à la note **Danger**, signifie un risque élevé. Le non-respect de cet avertissement peut entraîner des blessures corporelles et mortelles.



**DANGER POUR LES ENFANTS ET LES PERSONNES HANDICAPÉES**

- Ce produit peut être utilisé par des enfants de 8 ans et plus ainsi que par des personnes

souffrant de handicaps physiques, sensoriels ou mentaux ou manquant d'expérience et de connaissances, lorsqu'elles sont supervisées ou qu'elles reçoivent des instructions sur l'utilisation sûre du produit et la compréhension des risques associés.

- Les enfants ne doivent pas jouer avec l'appareil.
- Les matériaux d'emballage ne sont pas des jouets. Les enfants ne doivent pas jouer avec le matériel d'emballage. Il y a un risque d'étouffement.
- Le nettoyage et l'entretien ne doivent pas être effectués par des enfants sans surveillance.
- Tenez l'appareil hors de portée des enfants.
- Gardez les piles hors de portée des enfants. Si un enfant avale une pile, consultez immédiatement un médecin.



## AVERTISSEMENTS CONCERNANT LES PILES

- Ne rechargez pas des piles non rechargeables. Il y a un risque d'explosion et de blessure !
- Ne jetez pas de piles dans le feu. Il y a un risque d'explosion et de blessure !
- N'utilisez que le type de piles spécifié. Ne mélangez pas et/ou n'utilisez pas de vieilles piles et de nouvelles piles, ou des piles de marques différentes.
- Ne connectez pas les électrodes + et - entre elles à l'aide de métal ou de fil. Ne transportez pas et ne stockez pas les piles avec des objets métalliques.
- Évitez de souder directement sur les piles.
- Conservez les piles à l'abri de la lumière directe du soleil, des températures élevées et d'une forte humidité.
- Vérifiez régulièrement l'état des piles.
- Des piles qui fuient peuvent endommager l'appareil. Si les piles ont fui, utilisez des gants de protection. Nettoyez le compartiment des piles et les piles avec un chiffon propre et sec.
- Retirez immédiatement les piles épuisées de l'appareil et éliminez-les correctement. Sinon, il y a un risque accru de fuite.
- La charge électrostatique peut entraîner une défaillance de l'appareil. Si l'appareil ne fonctionne pas, remplacez les piles.

### **Pour éviter tout dommage ou préjudice aux utilisateurs ou à d'autres personnes, veillez à respecter les exigences suivantes**

- Protégez l'appareil et le câble de chargement USB des éléments : pluie, humidité, lumière directe du soleil, températures extrêmes ou saleté.
- Gardez l'appareil au sec. N'immergez jamais l'appareil dans l'eau.
- N'utilisez pas l'appareil si celui-ci, ou des parties de celui-ci, sont visiblement endommagés.
- Ne modifiez pas l'appareil de quelque manière que ce soit.
- Les lampes LED ne sont pas remplaçables. Si elles fondent prématurément ou si elles atteignent la fin de leur durée de vie, l'ensemble du produit doit être remplacé.
- Manipulez le produit avec soin. Le plier, le percer ou le faire tomber peut endommager la lampe LED et les piles.



## ATTENTION ! POSSIBILITÉ DE RAYONNEMENTS OPTIQUES DANGEREUX.

Ne fixez pas la lampe lorsqu'elle est allumée. Elle peut abîmer vos yeux.

---

## Manuel d'utilisation

### CONTENU DE L'EMBALLAGE

- 1 × Lampe frontale Saturn de Prozis
- 1 × Sangle de tête
- 1 × Batterie 18650
- 1 × Compartiment de la batterie 18650
- 1 × Compartiment des 3 piles AAA
- 1 × Câble de chargement USB
- 1 × Guide rapide

### DESCRIPTION DU PRODUIT (VOIR PAGE 2)

1. Sangle de tête
2. Lampe frontale
3. Compartiment des piles
4. Bouton d'alimentation et de mode
5. Port de chargement USB
6. Câble de chargement USB

### Entretien et nettoyage

Éteignez le produit et débranchez tout avant de le nettoyer !

N'utilisez pas de produits de nettoyage agressifs ou abrasifs ni de matériaux tels que le lait à récurer ou la paille de fer. Ils peuvent endommager la surface supérieure de l'appareil !

Protégez l'appareil contre les gouttes d'eau et les projections d'eau. Utilisez uniquement un chiffon propre et sec pour nettoyer l'appareil et n'utilisez jamais de liquides corrosifs. Utilisez un chiffon légèrement humide et un produit de nettoyage doux pour éliminer toute saleté tenace.

Veillez à ce que l'humidité ne pénètre pas dans le produit pendant le nettoyage afin d'éviter d'endommager le produit et les réparations correspondantes.

Veillez nettoyer la vis du phare avec un chiffon doux tous les six mois, et lubrifier la vis avec de l'huile de silicone.

### Stockage

Lorsque vous n'utilisez plus l'appareil, stockez-le dans un environnement sec, à l'abri de la poussière et de la lumière directe du soleil.

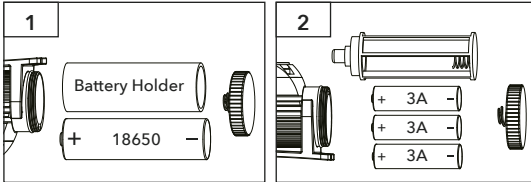
Si l'appareil n'est pas utilisé pendant une longue période, vous devez le recharger régulièrement. Cela permet de maintenir les performances de la batterie.

Rangez l'appareil dans l'emballage d'origine prévu à cet effet.

## INSTRUCTIONS

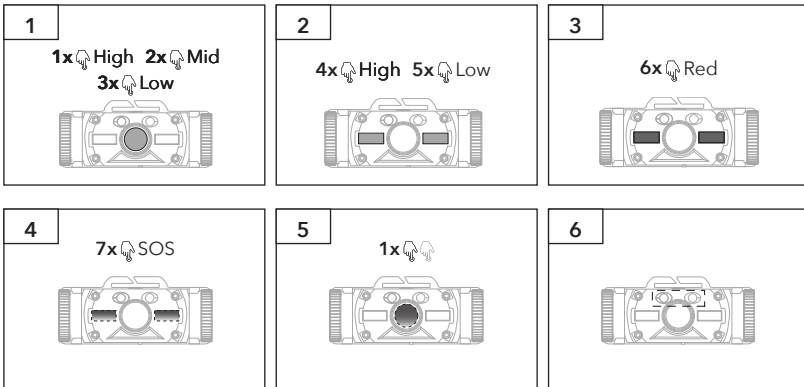
**REMARQUE :** La sangle de tête est de forme ergonomique pour assurer un ajustement confortable. Utilisez les 2 boucles de réglage pour l'ajuster à votre tête.

### Installation des piles/de la batterie



1. Batterie 18650 (incluse)
2. 3 x Pile AAA (non incluses)

### Modes de fonctionnement



1. Modes XM-L
2. Modes COB
3. COB Rouge
4. Stroboscopique rouge
5. Stroboscopique
6. Capteur de mouvement

**REMARQUE :** Si vous utilisez un mode quelconque pendant plus de 5 secondes, vous pouvez éteindre l'appareil en appuyant une fois sur le bouton. Dans tous les modes, appuyez sur le bouton pendant 2 secondes pour activer le capteur de mouvement. Vous pouvez allumer et éteindre la lampe en agitant la main à proximité du capteur.

## Chargement de la batterie

Connectez l'appareil au chargeur ou à un port USB à l'aide du câble fourni.

Quatre voyants LED situés sur le dessous de l'appareil indiquent l'état de la batterie pendant la charge.

CHARGE					
Voyant d'alimentation	○○○○	●○○○	●●○○	●●●○	●●●●
Capacité restante	1-24%	25-44%	45-69%	70-100%	100%

DÉCHARGE				
Voyant d'alimentation	●○○○	●●○○	●●●○	●●●●
Capacité restante	≤24%	25-44%	45-69%	70-100%

● Allumé  
 ○ Éteint  
 ○ Intermittent

## Résolution de problèmes

Certains problèmes qui se posent peuvent être résolus par l'utilisateur. Si le problème persiste après avoir essayé les solutions suivantes, veuillez contacter le service client de Prozis.

PROBLÈME	CAUSE	SOLUTION
L'appareil ne s'allume pas.	La batterie est vide.	Rechargez la batterie.
L'appareil s'éteint automatiquement.	La batterie est vide.	Rechargez la batterie.

## Déclaration de garantie

Tous les produits électriques et électroniques commercialisés par Prozis via [www.prozis.com](http://www.prozis.com) sont couverts par la garantie applicable à l'achat et à la vente de biens de consommation.

### CONSIDÉRATIONS GÉNÉRALES

Ce document contient les conditions générales de la garantie de Prozis pour les consommateurs finaux.

Cette garantie s'applique exclusivement aux consommateurs qui achètent le produit à des fins non professionnelles.

### PÉRIODE DE GARANTIE

Prozis garantit que le produit est exempt de défauts de matériel et de production pendant une période de 2 ans, à compter de la date d'achat initial par le consommateur et de la livraison respective, ou pendant une période plus longue si elle est légalement établie par la législation nationale applicable.



En cas de réparation, cette période de 2 ans est suspendue pendant la durée de la réparation.

## **CONSOMMABLES**

La diminution progressive des performances causée par l'utilisation prolongée des composants consommables du produit, tels que les piles/batteries, n'est pas couverte par cette garantie, sauf si le dysfonctionnement est dû à un défaut de conception, de matériaux ou de production.

## **COMMENT FAIRE UNE RÉCLAMATION**

En cas de besoin d'exercer les droits qui vous sont concédés par la présente garantie, veuillez communiquer avec le service clients de Prozis via les canaux de communication fournis sur le site de Prozis et suivre les instructions ou recommandations fournies. Les informations de contact et d'assistance technique sont également fournies à la fin de cette garantie.

Toute réclamation relative à cette garantie ne sera valable que sur présentation d'une preuve d'achat par le client d'origine. Cette preuve d'achat peut être l'original de la facture ou du reçu, pourvu qu'elle comprenne des renseignements sur la date d'achat et le nom du modèle du produit.

## **RÉPARATIONS SOUS GARANTIE**

Toute réparation effectuée dans le cadre de cette garantie ne peut être effectuée par des tiers. Cette garantie ne s'applique pas aux réparations ou aux dommages causés directement par ces réparations, qui ont affecté ou causé les dommages faisant l'objet de la respective réclamation sous garantie.

## **EXCLUSIONS**

Les situations suivantes ne sont pas couvertes par cette garantie :

1. Toute usure des pièces et composants résultant d'une utilisation normale du produit.
2. Fissures, bosses, éraflures et autres types de dommages superficiels qui n'affectent que l'apparence du produit.
3. Tout dysfonctionnement causé par une utilisation inappropriée du produit non conforme aux instructions du manuel d'utilisation.
4. Utilisation et stockage du produit non conformes aux instructions du manuel d'utilisation.
5. Ouverture du produit par un tiers qui n'est pas autorisé à procéder à sa réparation.
6. Modification ou changement de pièces ou de composants, qu'ils soient internes ou externes.
7. Dommages causés par une fuite de batterie résultant de la rupture de l'un de ses composants ou d'une mauvaise utilisation du produit.
8. Dysfonctionnement ou dommages dus à des raisons qui ne peuvent être imputées à la production ou à la conception du produit.
9. Utilisation du produit dans le contexte d'un business, d'une profession ou d'un commerce.
10. Dysfonctionnement dû à une utilisation non conforme aux normes techniques ou de sécurité en vigueur, ou aux instructions du manuel d'utilisation.

Les services fournis par Prozis afin de réparer ou dépanner tout défaut ou dysfonctionnement résultant de la vérification de l'une des situations exclues susmentionnées seront soumis au paiement de frais de main-d'œuvre, de transport et de composants.

Le client supporte tous les risques de perte et d'endommagement du produit pendant le transport vers Prozis. Cette garantie sera annulée si le produit retourné est accompagné d'étiquettes ou d'autocollants qui ont été enlevés, endommagés, altérés ou modifiés de quelque façon que ce soit.

### **RESPONSABILITÉ LIMITÉE**

Prozis ne peut être tenue responsable des dommages indirects ou des pertes dues à l'utilisation du produit.

### **QUE FAIRE ?**

Pour demander le service de garantie, vous devez d'abord contacter le service clients de Prozis via les canaux de communication fournis sur le site de Prozis, et suivre les instructions et recommandations fournies.

Renvoyer le produit dans son emballage d'origine, y compris tous les accessoires et la documentation, à l'adresse suivante :

PROZIS  
Rua do Cais n° 198  
4830-345 Póvoa de Lanhoso  
Braga - Portugal

### **CONTACTS**

Prozis est toujours disponible pour des éclaircissements supplémentaires via les canaux de communication du service clients sur [www.prozis.com/support](http://www.prozis.com/support)

Prozis ist eine eingetragene Marke von PROZIS.COM, S.A.

Prozis behält sich das Recht vor, jederzeit und ohne vorherige Ankündigung, Anpassungen oder Änderungen am Produkt oder der damit verbundenen Dokumentation vorzunehmen, um die Gebrauchstauglichkeit des Produkts sicherzustellen.

**NOTE:** Die aktuellste Version der Bedienungsanleitung dieses Produkts steht auf [www.prozis.com/user-manuals](http://www.prozis.com/user-manuals)

## Gesetzliche Konformitätserklärung

**CE** Durch dieses Dokument erklärt PROZIS, dass die Prozis - Saturn Kopflampe vollständig mit allen in der geltenden Rechtsvorschrift festgelegten Standards sowie anderen relevanten Bestimmungen übereinstimmt.

Für jede weitere Erklärung steht Prozis immer über seine Kundendienst-Kommunikationskanäle unter [www.prozis.com/support](http://www.prozis.com/support) zur Verfügung.



Um negative Auswirkungen auf die Umwelt oder die menschliche Gesundheit durch gefährliche Stoffe in Elektro- und elektronischen Geräten zu vermeiden, wird vom jeweiligen Endverbraucher erwartet, dass dieser die Bedeutung des Symbols eines durchgestrichenen Abfallbehälters versteht. Entsorgen Sie elektrische und elektronische Altgeräte nicht mit unsortiertem Hausmüll, sondern separat und ordnungsgemäß.



Gebrauchte Batterien sollten nicht zusammen mit Haushaltsmüll entsorgt werden. Sie müssen in den vorgesehenen Sondermüllbehältern für Altbatterien entsorgt werden. Dies ist eine Verpflichtung, um eine umweltgerechte Entsorgung von Altbatterien zu gewährleisten. Es sollten nur komplett leere Batterien entsorgt werden.



Die Verpackung, die das Gerät vor Transportschäden schützt, ist aus umweltfreundlichen Materialien hergestellt, die in örtlichen Recyclingbehältern entsorgt werden können.

## Sicherheitswarnungen



**GEFAHR!** Dieses Symbol in Kombination mit dem Hinweis **Gefahr** weist auf ein hohes Risiko hin. Wenn diese Warnung nicht beachtet wird, kann dies zu Verletzung der Gliedmaßen und zu Lebensgefahr führen.



**GEFAHR FÜR KINDER UND MENSCHEN MIT BEHINDERUNGEN**

- Dieses Gerät kann von Kindern im Alter ab 8 Jahren und von Personen mit eingeschränkten physischen, sensorischen oder geistigen Fähigkeiten oder mangelnder Erfahrung und/

oder Wissen verwendet werden, wenn diese unter Beaufsichtigung stehen oder sie Anweisungen bezüglich der sicheren Verwendung des Geräts erhalten haben und die Risiken kennen.

- Kinder dürfen mit diesem Gerät nicht spielen.
- Verpackungsmaterialien sind kein Kinderspielzeug. Kinder dürfen nicht damit spielen, da Erstickungsgefahr besteht.
- Die Reinigung und Wartung sollte nicht durch unbeaufsichtigte Kinder durchgeführt werden.
- Das Gerät außerhalb der Reichweite von Kindern aufbewahren.
- Halten Sie Batterien von Kindern fern. Falls versehentlich eine Batterie verschluckt wurden, wenden Sie sich sofort an einen Arzt.



## BATTERIEWARNUNGEN

- Nicht wiederaufladbare Batterien nicht aufladen, da ansonsten Explosionsgefahr und Verletzungsgefahr besteht!
- Werfen Sie Batterien nicht ins Feuer. Es besteht Explosionsgefahr und Verletzungsgefahr!
- Verwenden Sie nur den angegebenen Batterietyp. Mischen und/oder verwenden Sie keine alten und neuen Batterien oder Batterien verschiedener Marken.
- Verbinden Sie die + und - Elektroden nicht mithilfe eines Metalls oder Drahts miteinander. Tragen oder lagern Sie Batterien nicht zusammen mit metallischen Gegenständen.
- Vermeiden Sie direktes Anlöten der Batterien.
- Halten Sie die Batterien von direktem Sonnenlicht, hohen Temperaturen und extremer Feuchtigkeit fern.
- Überprüfen Sie regelmäßig den Zustand der Batterien.
- Auslaufende Batterien können das Gerät beschädigen. Falls die Batterien ausgelaufen sind, verwenden Sie Schutzhandschuhe. Reinigen Sie das Batteriefach und die Batterien mit einem sauberen, trockenen Tuch.
- Entfernen Sie verbrauchte Batterien sofort aus dem Produkt und entsorgen Sie sie ordnungsgemäß, da ansonsten ein erhöhtes Auslaufrisiko besteht.
- Elektrostatische Ladung kann zu einem Geräteausfall führen. Falls das Gerät nicht funktioniert, ersetzen Sie die Batterien.

### **Um mögliche Schäden oder Verletzungen von Benutzern oder Dritten zu vermeiden, befolgen Sie stets die unten genannten Anweisungen.**

- Schützen Sie das Gerät und das USB-Ladekabel vor Witterungseinflüssen: Regen, Feuchtigkeit, direktes Sonnenlicht, extreme Temperaturen oder Schmutz.
- Halten Sie das Gerät trocken. Tauchen Sie das Gerät niemals in Wasser.
- Verwenden Sie das Gerät nicht, wenn das Gerät selbst oder Teile davon sichtbar beschädigt sind.
- Verändern oder modifizieren Sie das Gerät auf keinen Fall.
- Die LED-Lichter sind nicht austauschbar. Wenn sie vorzeitig versagen oder das Ende ihrer Lebensdauer erreichen, muss das gesamte Produkt ersetzt werden.
- Behandeln Sie das Produkt mit Sorgfalt. Biegen, Durchstechen oder Fallenlassen des Geräts kann die LED und den Akku beschädigen.



## **VORSICHT! MÖGLICHE GEFÄHRLICHE OPTISCHE STRAHLUNG.**

Blicken Sie nicht direkt in das Licht der Lampe, denn dies kann Ihre Augen schädigen.

---

## **Bedienungsanleitung**

### **VERPACKUNGSINHALT**

- 1 × Prozis Saturn - LED-Kopflampe
- 1 × Halterung für den Kopf
- 1 × 18650 Akku
- 1 × 18650 Akkufach
- 1 × 3 AAA Batteriefach
- 1 × USB-Ladekabel
- 1 × Kurzanleitung

### **PRODUKTÜBERSICHT (SIEHE SEITE 2)**

1. Kopfgurt
2. Kopflampe
3. Akku-/Batteriefach
4. Power- und Modustaste
5. USB-Ladeanschluss
6. USB-Ladekabel

### **Wartung und Reinigung**

Schalten Sie das Produkt vor der Reinigung aus und ziehen Sie alle Stecker!

Bei der Reinigung keine aggressiven oder scheuernden Reinigungsmittel oder Materialien wie Scheuermilch oder Stahlwolle verwenden. Diese können die Geräteoberfläche beschädigen!

Schützen Sie das Gerät vor Wassertropfen und Wasserspritzern. Verwenden Sie nur ein sauberes, trockenes Tuch zur Reinigung des Geräts und verwenden Sie niemals korrosive Flüssigkeiten. Hartnäckige Verschmutzungen mit einem leicht feuchten Tuch und einem milden Reinigungsmittel entfernen.

Stellen Sie sicher, dass während der Reinigung keine Feuchtigkeit in das Produkt eindringt, um Schäden am Produkt und damit verbundene Reparaturen zu vermeiden.

Bitte reinigen Sie die Schraube der Kopflampe alle sechs Monate mit einem weichen Tuch und schmieren Sie die Schraube mit Silikonöl ein.

### **Aufbewahrung**

Wenn das Gerät nicht länger verwendet wird, bewahren Sie es an einem trockenen, vor Staub und direktem Sonnenlicht geschützten Ort auf.

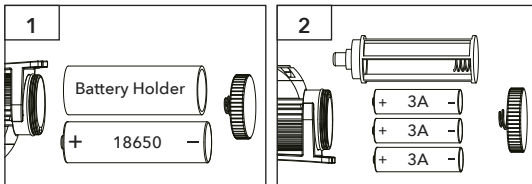
Wenn das Gerät über einen längeren Zeitraum nicht verwendet werden soll, sollten Sie es regelmäßig aufladen. Dies trägt zur Aufrechterhaltung der Akkuleistung bei.

Bewahren Sie das Gerät in seiner mitgelieferten Originalverpackung auf.

## ANWEISUNGEN

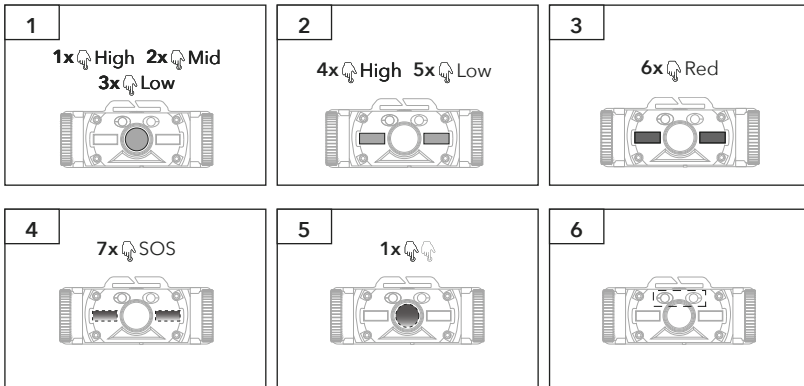
**HINWEIS:** Der Kopfgurt ist ergonomisch geformt, um eine bequeme Passform zu bieten. Verwenden Sie die zwei verstellbaren Schnallen, um den Gurt an Ihren Kopf anzupassen.

### Einsetzen der Batterie/des Akkus



1. 18650 Akku (enthalten)
2. 3 x AAA Batterie (nicht enthalten)

### Betriebsmodi



1. XM-L-Modus
2. COB-Modi
3. COB-Rotlicht
4. Roter Röhrenblitz
5. Röhrenblitz
6. Bewegungssensor

**Hinweis:** Wenn Sie länger als 5 Sekunden in einem beliebigen Modus bleiben, drücken Sie einmal die Taste, um das Licht auszuschalten. In jedem Modus wird der Bewegungssensor aktiviert, wenn Sie die Taste 2 Sekunden lang drücken. Anschließend kann die Lampe mit einer Handbewegung in der Nähe des Bewegungssensors ein- und ausgeschaltet werden.

### Aufladen des Akkus

Verbinden Sie das Gerät über das mitgelieferte Kabel mit dem Ladegerät oder einem USB-Anschluss.

Es gibt vier LED-Leuchten an der Unterseite des Geräts, die den Akkustand während des Ladevorgangs anzeigen.

AUFLADEN					
Stromanzeigeleuchte	○○○○	●○○○	●●○○	●●●○	●●●●
Restkapazität	1-24%	25-44%	45-69%	70-100%	100%

ENTLEEREN					
Stromanzeigeleuchte	●○○○	●●○○	●●●○	●●●●	
Stromanzeigeleuchte	≤24%	25-44%	45-69%	70-100%	

- Ein
- Aus
- Blinken

## Fehlerbehebung

Manche der auftretenden Probleme können eventuell durch den Benutzer selbst behoben werden. Falls das Problem weiterhin bestehen bleibt, nachdem alle der folgenden Lösungsvorschläge probiert wurden, kontaktieren Sie bitte den Prozis-Kundenservice.

PROBLEM	URSACHE	LÖSUNG
Das Gerät lässt sich nicht einschalten.	Der Akku ist leer.	Laden Sie den Akku auf.
Das Gerät schaltet sich automatisch aus.	Der Akku ist leer.	Laden Sie den Akku auf.

## Gewährleistungsbestimmung

Alle elektrischen und elektronischen Produkte, die von Prozis via [www.prozis.com](http://www.prozis.com) vermarktet werden, fallen unter die Gewährleistung, die auf Verbrauchergeschäfte Anwendung findet.

### ALLGEMEINES

Dieses Dokument enthält die Bedingungen der Gewährleistung von Prozis für Endkunden.

Diese Gewährleistung gilt ausschließlich für Kunden, die Produkte für nichtgewerbliche Zwecke kaufen.

### **LAUFZEIT DER GEWÄHRLEISTUNG**

Prozis garantiert, dass ein Produkt 2 Jahre lang keine Material- und Herstellungsmängeln vorweist. Die Laufzeit beginnt ab dem Kaufdatum des Kunden und die jeweilige Zustellung, kann aber auch länger gelten, falls dies gesetzlich durch das anwendbare nationale Recht festgelegt wurde.

Im Fall, dass eine Reparatur nötig ist, wird die 2-Jahre-Laufzeit während der Reparaturzeit suspendiert.

### **VERBRAUCHSMATERIALIEN**

Eine allmähliche Leistungsabnahme als Resultat eines längeren Gebrauchs der Verbrauchsmaterialien des Produktes, wie beispielsweise Akkus, wird nicht durch die Gewährleistung abgedeckt, es sei denn, die Fehlfunktion wurde durch einen Fehler in der Konstruktion, der Materialien oder der Herstellung verursacht.

### **WIE WERDEN ANSPRÜCHE GELTEND GEMACHT**

Wenn es nötig ist, die durch diese Gewährleistung erteilten Rechte wahrzunehmen, kontaktieren Sie bitte den Prozis Kundenservice durch die auf der Prozis-Webseite zur Verfügung stehenden Kommunikationskanäle und folgen Sie den dort stehenden Anweisungen oder Empfehlungen. Kontaktinformationen und Informationen zum technischen Support stehen ebenfalls am Ende dieser Gewährleistung.

Jegliche Ansprüche, die bezüglich dieser Gewährleistung geltend gemacht werden, werden erst gültig, wenn der Kaufbeleg durch den ursprünglichen Kunden präsentiert wird. Dieser Kaufbeweis kann die originale Rechnung oder Quittung sein, solange es die Informationen bezüglich des Kaufdatums und des Namens des Produktmodells enthält.

### **GEWÄHRLEISTUNGSREPARATUREN**

Jegliche Reparaturen, die im Rahmen dieser Gewährleistung getätigt wurden, können nicht durch Dritte gemacht werden. Von jeglicher Gewährleistung ausgeschlossen sind Reparaturen oder Schäden, die Resultat aus solchen Reparaturen durch Dritte und durch Dritte beeinflusst oder verursacht wurden.

### **AUSNAHMEN**

Folgende Situationen werden von jeglicher Gewährleistung ausgeschlossen:

1. Jegliche Verschleißerscheinungen von Teilen und Bestandteilen, die durch die normale Produktverwendung entstehen.
2. Risse, Dellen, Kratzer und andere Arten von Oberflächenschäden, die nur das Aussehen des Produktes beeinträchtigen.
3. Jegliche Fehlfunktion, die durch die unsachgemäße Produktverwendung, d.h. die den Anweisungen der Bedienungsanleitung nicht entspricht, entsteht.



4. Wenn die Verwendung und Aufbewahrung des Produktes nicht den Anweisungen der Bedienungsanleitung entspricht.
5. Die Öffnung des Produkts durch eine dritte Partei, die nicht autorisiert ist, diese Reparatur zu tätigen.
6. Das Bearbeiten oder Ändern von Teilen oder Komponenten, seien sie von Innen oder von Außen.
7. Durch auslaufende Batterieflüssigkeit verursachte Schäden, die wiederum durch materielle Schäden an den Komponenten oder durch den Missbrauch des Produktes entstanden sind.
8. Eine Fehlfunktion oder ein Schaden, der nicht auf die Herstellung oder das Design des Produktes zurückgeführt werden kann.
9. Die Verwendung des Produktes im Rahmen einer Geschäftstätigkeit, einer Beschäftigung oder eines Handels.
10. Eine Fehlfunktion aus Gründen, die nicht den geltenden technischen Normen oder Sicherheitsnormen, oder nicht den Anweisungen der Bedienungsanleitung entsprechen.

Treten diese oben genannten Situationen ein, fallen für die durch Prozis gebotenen Dienste zum Reparieren von Defekten oder Fehlfunktionen, und die Kosten für die Reparaturarbeiten, den Transport und Ersatzteile werden dem Kunden in Rechnung gestellt.

Der Kunde trägt alle Risiken für den Verlust und die Schädigung des Produktes im Laufe des Transportes zu Prozis. Der Gewährleistungsanspruch erlischt, falls das Produkt mit Etiketten oder Aufklebern abgegeben wird, die entfernt, geschädigt, geändert oder auf sonstige Weise modifiziert wurden.

## **BESCHRÄNKTE HAFTUNG**

Prozis kann nicht für die indirekte Schädigung oder den Verlust durch die Verwendung des Produktes verantwortlich gemacht werden.

## **WAS MUSS GEMACHT WERDEN?**

Um die Gewährleistungsansprüche gelten zu machen, sollten Sie zuerst den Prozis Kundenservice, durch die auf der Webseite von Prozis zur Verfügung stehenden Kommunikationskanäle, kontaktieren und allen zur Verfügung stehenden Anweisungen und Empfehlungen folgen.

Senden Sie das Produkt in der Originalverpackung, inklusive dem ganzen Zubehör und den Unterlagen, an die folgende Adresse zurück:

PROZIS  
Rua do Cais nº 198  
4830-345 Póvoa de Lanhoso  
Braga - Portugal

## **KONTAKTE**

Der Prozis-Kundenservice steht Ihnen jederzeit für weitere Erläuterungen durch die auf der Webseite stehenden Kommunikationskanäle [www.prozis.com/support](http://www.prozis.com/support) zur Verfügung.

PROZIS è un marchio registrato di proprietà di PROZIS.COM, S.A.

PROZIS si riserva il diritto di adattare o modificare, in qualsiasi momento e senza alcun preavviso, il prodotto o qualsiasi documentazione ad esso associata, per poterne assicurare l'idoneità all'uso.

**NOTA:** La versione più recente del manuale d'istruzioni di questo prodotto è disponibile sul sito [www.prozis.com/user-manuals](http://www.prozis.com/user-manuals)

## Dichiarazione di conformità legale

**CE** Per mezzo di questo documento, PROZIS dichiara che il prodotto Saturn Prozis - Lampada frontale - è pienamente conforme a tutte le norme specificate dalla legislazione in vigore, così come a tutte le clausole rilevanti.

Prozis sarà sempre disponibile a prestare qualsiasi ulteriore chiarimento tramite i suoi canali di comunicazione di assistenza al cliente, disponibili sul sito [www.prozis.com/support](http://www.prozis.com/support)



Per evitare qualsivoglia impatto sull'ambiente o sulla salute umana dovuto a sostanze pericolose presenti in dispositivi elettrici o elettronici, gli utenti finali di tali dispositivi sono tenuti a comprendere il significato del simbolo che consiste in un contenitore per rifiuti barrato. Non gettare rifiuti di dispositivi elettrici o elettronici insieme alla spazzatura domestica indifferenziata. Smaltire separatamente ed adeguatamente.



Le batterie usate non devono essere smaltite insieme ai rifiuti domestici, ma devono essere inserite in un apposito contenitore di raccolta delle batterie usate. Questo è un obbligo volto a garantire lo smaltimento ecologico delle batterie. Smaltire le batterie solo quando sono completamente scariche.



La confezione che protegge il dispositivo dagli eventuali danni provocati dal trasporto è fatta di materiali non inquinanti completamente riciclabili.

## Avvertenze di sicurezza



**PERICOLO!** Questo simbolo, quando seguito dalla nota **Pericolo**, indica un rischio elevato. Il mancato rispetto di questa avvertenza può comportare lesioni fisiche o persino mortali.



### PERICOLO PER BAMBINI E PERSONE CON DISABILITÀ

- Questo prodotto può essere usato da bambini di età superiore agli 8 anni e da persone con disabilità di natura fisica, sensoriale o mentale o senza un'adeguata esperienza e conoscenza, se sotto supervisione o laddove abbiano ricevuto istruzioni sull'utilizzo sicuro del

prodotto e ne comprendano i possibili rischi.

- I bambini non devono giocare con il dispositivo.
- Il materiale dell'imballaggio non è un giocattolo. I bambini non devono giocare con il materiale dell'imballaggio a causa dell'esistenza del rischio di soffocamento.
- Pulizia e manutenzione non devono essere eseguite da bambini senza supervisione.
- Tenere il dispositivo fuori dalla portata dei bambini.
- Tenere le batterie fuori dalla portata dei bambini. In caso di ingestione di una batteria da parte di un bambino, consultare immediatamente un medico.



## AVVERTENZE SULLE BATTERIE

- Non ricaricare batterie non ricaricabili. Esiste il rischio di esplosione e lesioni.
- Non gettare le batterie nel fuoco. Esiste il rischio di esplosione e lesioni.
- Utilizzare solo il tipo di batteria specificato. Non abbinare e/o utilizzare batterie vecchie e nuove o batterie di marche diverse.
- Non collegare gli elettrodi + e - l'uno all'altro usando metallo o fili. Non trasportare né conservare le batterie insieme ad oggetti metallici.
- Evitare la saldatura diretta delle batterie.
- Tenere le batterie lontane dalla luce diretta del sole, dalle alte temperature e da alti livelli di umidità.
- Controllare regolarmente lo stato delle batterie.
- Un'eventuale perdita dalle batterie può danneggiare il dispositivo. Se le batterie hanno avuto delle perdite, utilizzare guanti protettivi. Pulire il vano batterie e le batterie con un panno pulito ed asciutto.
- Rimuovere immediatamente le batterie scariche dal dispositivo e smaltirle correttamente. In caso contrario, aumenta il rischio di perdite.
- Eventuali cariche elettrostatiche possono causare un guasto del dispositivo. Se il dispositivo non funziona, sostituire le batterie.

### **Per evitare danni o lesioni agli utenti o ad altre persone, assicurarsi di rispettare i seguenti requisiti.**

- Proteggere il dispositivo ed il cavo di ricarica dagli elementi: pioggia, umidità, luce diretta del sole, temperature estreme o sporco.
- Tenere asciutto il dispositivo. Non immergere il dispositivo in acqua.
- Non utilizzare il dispositivo se esso o parti di esso dovessero mostrare segni di danneggiamento.
- Non alterare o modificare il dispositivo in alcun modo.
- Le luci a LED non sono sostituibili. Se dovessero guastarsi anzitempo o giungere alla fine della loro durata, si dovrà sostituire l'intero prodotto.
- Maneggiare con cura il dispositivo. Eventuali flessioni, perforazioni o cadute possono danneggiare i LED e la batteria.



## ATTENZIONE! RADIAZIONI OTTICHE POTENZIALMENTE PERICOLOSE.

Non guardare direttamente la luce quando essa è accesa. Può danneggiare gli occhi.

---

## Manuale dell'utente

### CONTENUTO DELLA CONFEZIONE

- 1 × Saturn Prozis - Lampada frontale a LED
- 1 × Cinturino per la testa
- 1 × Batteria 18650
- 1 × Supporto per batteria 18650
- 1 × Supporto per 3 pile AAA (mini stilo)
- 1 × Cavo di ricarica USB
- 1 × Guida rapida

### DESCRIZIONE DEL PRODOTTO (VEDERE PAGINA 2)

1. Cinturino per la testa
2. Lampada frontale
3. Supporto per la batteria
4. Pulsante accensione e modalità
5. Porta di ricarica USB
6. Cavo di ricarica USB

### Pulizia e manutenzione

Spegnere il prodotto e rimuovere tutte le prese prima della pulizia.

Non pulire il prodotto utilizzando detersivi o materiali aggressivi o abrasivi come sgrassatori o lana d'acciaio. Tali materiali potrebbero danneggiare la superficie del dispositivo.

Proteggere il dispositivo da gocce e schizzi d'acqua. Pulire il prodotto con un panno pulito e asciutto e non utilizzare liquidi corrosivi. Per rimuovere lo sporco ostinato, utilizzare un panno leggermente umido ed un detersivo delicato.

Assicurarsi che non entri umidità all'interno del prodotto durante la pulizia, in modo tale da evitare danni al dispositivo e relative riparazioni.

Pulire le vite della lampada con un panno morbido ogni sei mesi e lubrificarla con olio di silicone.

### Conservazione

Quando non si utilizza il dispositivo, conservarlo in un luogo asciutto, al riparo dalla polvere e dalla luce diretta del sole.

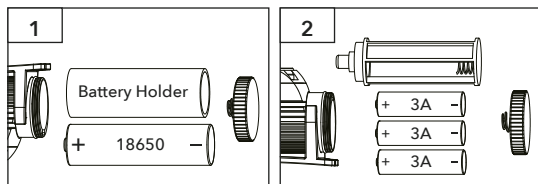
Se il dispositivo non dovesse essere utilizzato per un periodo di tempo prolungato, ricaricarlo comunque regolarmente. Questo aiuta a mantenere le prestazioni della batteria.

Conservare il dispositivo nella custodia originale fornita.

## ISTRUZIONI

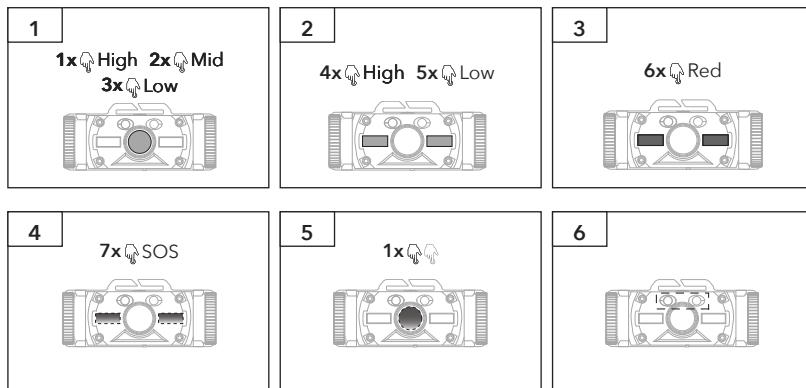
**NOTA:** Il cinturino per la testa è progettato per offrire comodità grazie alla forma ergonomica. Utilizzare le 2 fibbie di regolazione per regolarlo.

### Installazione della batteria



1. Batteria 18650 (inclusa)
2. 3 x Pila AAA (mini stilo) (non incluse)

### Modalità di funzionamento



1. Modalità XM-L
2. Modalità COB
3. Modalità COB rosso
4. Modalità stroboscopica rossa
5. Modalità stroboscopica
6. Sensore di movimento

**NOTA:** In qualsiasi modalità attiva per più di 5 secondi, premere una volta per spegnere la luce. In qualsiasi modalità, tenere premuto per 2 secondi per attivare il sensore di movimento. Poi la luce può essere accesa e spenta agitando la mano in prossimità del sensore.

### Ricarica della batteria

Collegare il dispositivo al caricatore o ad una porta USB utilizzando il cavo fornito.

Ci sono quattro luci a LED nella parte inferiore del dispositivo che mostrano il livello di carica della batteria durante la ricarica.

DURANTE LA RICARICA					
Luce della spia di alimentazione	○○○○	●○○○	●●○○	●●●○	●●●●
Autonomia residua	1-24%	25-44%	45-69%	70-100%	100%

DURANTE L'USO					
Luce della spia di alimentazione	●○○○	●●○○	●●●○	●●●●	● ● Accesa ○ Spenta ○ Lampeggiante
Autonomia residua	≤24%	25-44%	45-69%	70-100%	

## Risoluzione dei problemi

Alcuni problemi che dovessero emergere possono essere risolti dall'utente. Se il problema dovesse persistere dopo aver provato le seguenti soluzioni, si prega di contattare il servizio clienti Prozis.

PROBLEMA	CAUSA	SOLUZIONE
Il dispositivo non si accende.	La batteria è scarica.	Ricaricare la batteria.
Il dispositivo si spegne da solo.	La batteria è scarica.	Ricaricare la batteria.

## Dichiarazione di garanzia

Tutte le apparecchiature elettriche ed elettroniche vendute da Prozis sul sito [www.prozis.com](http://www.prozis.com) sono coperte da garanzia applicabile agli acquisti e alle vendite di beni di consumo.

### CONSIDERAZIONI GENERALI

Questo documento contiene i termini e le condizioni della garanzia di Prozis per il consumatore finale.

Questa garanzia è valida esclusivamente per il consumatore che acquista prodotti per un uso non professionale.

### **PERIODO DI GARANZIA**

Prozis garantisce che le apparecchiature rimangano senza difetti, del materiale e del prodotto stesso, per un periodo di 2 anni a partire dalla data iniziale dell'acquisto da parte del consumatore e della relativa consegna, o per un tempo maggiore, se legalmente stabilito dalla normativa nazionale applicabile.

In caso di riparazione, il periodo di 2 anni è sospeso durante il tempo richiesto dalla riparazione.

### **BENI DI CONSUMO**

La graduale diminuzione delle prestazioni, causata dall'uso prolungato delle componenti deteriorabili, come le batterie, non è coperta da questa garanzia, a meno che il malfunzionamento non sia causato da un difetto di design, materiale o produzione.

### **COME EFFETTUARE UN RECLAMO**

In caso esista il motivo per esercitare il diritto concesso al consumatore da questa garanzia, preghiamo di contattare l'Assistenza Clienti di Prozis attraverso i canali presenti sul sito di Prozis e di seguire le istruzioni e i consigli riportati. I contatti e le informazioni per l'assistenza tecnica si trovano anche alla fine di questa garanzia.

Qualsiasi reclamo effettuato in relazione a questa garanzia sarà valido solo su presentazione di una prova di acquisto da parte del cliente originale. Questa prova può essere la fattura o ricevuta originale, premesso che presenti le informazioni relative alla data dell'acquisto e al nome del modello del prodotto.

### **RIPARAZIONI IN GARANZIA**

Qualsiasi riparazione nell'ambito della presente garanzia non può essere effettuata da terzi. Questa garanzia non si applica a nessun tipo di riparazione o danno causato direttamente da tali riparazioni, che abbiano avuto un impatto o abbiano causato i danni che costituiscono l'oggetto del corrispondente reclamo di garanzia.

### **ECCEZIONI**

Le situazioni seguenti non sono coperte dalla presente garanzia:

1. Qualsiasi usura a parti e componenti che risulti dal normale utilizzo del dispositivo.
2. Crepe, ammaccature, graffi, e altri tipi di danni superficiali che riguardano solo l'aspetto del prodotto.
3. Qualsiasi malfunzionamento causato da utilizzo inappropriato che non rispetta le istruzioni del manuale d'uso.
4. Utilizzo e conservazione del prodotto che non rispetta le istruzioni del manuale d'uso.
5. Apertura del prodotto da terzi non autorizzati a procedere alla riparazione.

6. Alterazione o modifica di parti o componenti, sia interne che esterne.
7. Danni causati da perdite della batteria, provocate da un guasto di una sua qualsiasi componente, oppure da uso improprio del prodotto.
8. Malfunzionamenti o danni causati da situazioni non ascrivibili alla produzione o all'ideazione dell'apparecchiatura.
9. Uso del prodotto in contesti aziendali, professionali o commerciali.
10. Malfunzionamento causato da utilizzo che non rispetta la normativa tecnica e di sicurezza in vigore.

I servizi forniti da Prozis con il fine di riparare o aggiustare qualsiasi tipo di difetto o malfunzionamento derivante da una delle situazioni eccezionali sopracitate, saranno soggetti al pagamento di manodopera, trasporto e costi della componente.

Il cliente deve supportare tutti i rischi di perdita e danno al prodotto durante il trasporto verso la Prozis. Questa garanzia è nulla se l'apparecchiatura restituita non riporta correttamente l'etichetta o l'adesivo, perché rimossi, danneggiati, manomessi o modificati in qualsiasi modo.

### **RESPONSABILITÀ LIMITATA**

Prozis non può ritenersi responsabile per danni o perdita indiretti, dovuti all'uso del prodotto.

### **COSA FARE?**

Al fine di richiedere un servizio di garanzia, il cliente dovrà contattare prima di tutto l'Assistenza Clienti di Prozis attraverso i canali presenti sul sito di Prozis e seguire le istruzioni e i consigli riportati.

Restituire il prodotto all'interno della scatola originale, inclusi tutti gli accessori e i documenti presenti al suo interno, all'indirizzo seguente:

PROZIS  
Rua do Cais n° 198  
4830-345 Póvoa de Lanhoso  
Braga - Portugal

### **CONTATTI**

Prozis è sempre disponibile per ulteriori chiarimenti. Contatta l'Assistenza Clienti all'indirizzo: [www.prozis.com/support](http://www.prozis.com/support)




Prozis es una marca registrada de PROZIS.COM, S.A.

Prozis se reserva el derecho de ajustar o modificar el producto o la documentación asociada en cualquier momento y sin previo aviso a fin de garantizar la idoneidad para su uso.

**NOTA:** La versión más reciente del manual de usuario de este producto está disponible para consulta en [www.prozis.com/user-manuals](http://www.prozis.com/user-manuals)

## Conformidad legal

 Mediante el presente documento, PROZIS declara que la Linterna Frontal Saturn de Prozis cumple con todos los requisitos especificados en la legislación vigente, así como en otras disposiciones pertinentes.

Para cualquier información adicional, Prozis estará siempre a su disposición a través de nuestros canales de comunicación del Servicio de Atención al Cliente, disponibles en [www.prozis.com/support](http://www.prozis.com/support)



A fin de evitar cualquier impacto sobre el medio ambiente o la salud humana debido a sustancias peligrosas presentes en dispositivos eléctricos y electrónicos, los usuarios finales de dichos dispositivos deben comprender el significado del símbolo que consiste en un contenedor de basura tachado con una X. No deseche aparatos eléctricos y electrónicos con la basura doméstica. Deposítelos en el contenedor de reciclaje correspondiente.



Las pilas/baterías usadas no deben desecharse con la basura doméstica. Deposítelas en su correspondiente contenedor especial. Se trata de una obligación destinada a garantizar la eliminación ecológica de las mismas. Deséchelas solo cuando estén descargadas.



El embalaje que protege el dispositivo contra daños durante el transporte se ha fabricado con materiales no contaminantes y se puede desechar en los contenedores de reciclaje convencionales.

## Advertencias de seguridad



**¡PELIGRO!** Este símbolo, acompañado de la advertencia **Peligro (Danger)**, indica un riesgo elevado. Ignorar este aviso puede provocar lesiones o incluso la muerte.



### **PELIGRO PARA NIÑOS Y PERSONAS CON DISCAPACIDAD**

- Este producto es apto para niños a partir de 8 años y personas con facultades físicas, sensoriales o mentales reducidas, o que no tengan la experiencia o el conocimiento suficien-

tes, siempre y cuando estén supervisadas o guiadas para usar el producto con seguridad y entiendan los riesgos que implica.

- Asegúrese de que los niños no jueguen con este producto.
- Los materiales de embalaje no son juguetes. Los niños no deben jugar con los materiales de embalaje debido al riesgo de asfixia.
- La limpieza y el mantenimiento no deben llevarse a cabo por niños sin supervisión.
- Mantenga el producto fuera del alcance de los niños.
- Mantenga las pilas/baterías fuera del alcance de los niños. En caso de ingestión de una pila/batería, busque inmediatamente asistencia médica.



## ADVERTENCIAS SOBRE LAS PILAS

- No intente cargar pilas que no sean recargables. ¡Existe riesgo de explosión y de sufrir lesiones!
- No arroje las pilas al fuego. ¡Existe riesgo de explosión y de sufrir lesiones!
- Utilice únicamente el tipo de pila especificado. No mezcle ni utilice pilas usadas y pilas nuevas ni pilas de diferentes marcas.
- No conecte los electrodos positivo y negativo utilizando metal o cables. No transporte ni almacene las pilas junto con objetos metálicos.
- Evite soldar directamente las pilas.
- Mantenga las pilas alejadas de la luz solar directa. No las exponga a temperatura o humedad elevadas.
- Compruebe el estado de las pilas de forma periódica.
- Las fugas en las pilas pueden ocasionar daños al aparato. Si las pilas tienen fugas, utilice guantes de protección. Limpie el compartimento para pilas y las pilas con un paño limpio y seco.
- Retire inmediatamente las pilas agotadas del dispositivo y deséchelas adecuadamente para evitar mayor riesgo de fugas.
- Las cargas electrostáticas pueden producir averías de funcionamiento. Si el dispositivo no funciona, sustituya las pilas.

### **Para evitar posibles daños o lesiones a los usuarios u otras personas, asegúrese de cumplir con los requisitos descritos a continuación.**

- Proteja el producto y el cable de carga USB de la intemperie: lluvia, humedad, luz solar directa, temperaturas extremas o suciedad.
- Mantenga el dispositivo seco. Nunca lo sumerja en agua.
- No utilice el aparato si el mismo o algunas de sus piezas están visiblemente dañados.
- No modifique este dispositivo de ninguna manera.
- Las luces LED no son reemplazables. Si dejan de funcionar antes de lo que deberían o si finalizan su vida útil, es necesario reemplazar todo el producto.
- Utilice el producto con cuidado. Doblarlo, perforarlo o dejarlo caer puede dañar las luces LED y la batería.



## ¡ATENCIÓN! POSIBLE RADIACIÓN ÓPTICA PELIGROSA.

No mire directamente a la fuente de luz de la lámpara mientras esté encendida. Puede dañar los ojos.

---

## Manual de usuario

### CONTENIDO DE LA CAJA

- 1 × Linterna Frontal - Saturn de Prozis
- 1 × Soporte para la cabeza
- 1 × Batería 18650
- 1 × Compartimento para batería 18650
- 1 × Compartimento para 3 pilas AAA
- 1 × Cable de carga USB
- 1 × Guía rápida

### DESCRIPCIÓN DEL PRODUCTO (VÉASE PÁGINA 2)

1. Correa para la cabeza
2. Linterna frontal
3. Compartimento para pilas/baterías
4. Botón Encender/Apagar/Modo
5. Puerto de carga USB
6. Cable de carga USB

### Mantenimiento y limpieza

¡Apague el producto y desconecte todos los cables antes de limpiarlo!

¡No utilice productos de limpieza agresivos o abrasivos ni materiales como estropajos de acero o limpiadores corrosivos, ya que estos pueden dañar la superficie del producto!

Proteja el dispositivo de gotas de agua y espráis. Utilice únicamente un paño limpio y seco para limpiarlo y nunca use líquidos corrosivos. Para eliminar la suciedad persistente, utilice un paño ligeramente húmedo y un producto de limpieza suave.

Para evitar daños y reparaciones relacionadas con estos, asegúrese de que no entre humedad en el dispositivo mientras lo limpia.

Limpie el tornillo del producto con un paño suave cada seis meses y lubríquelo con aceite de silicona.

### Almacenamiento

Cuando no utilice el dispositivo, guárdelo en un ambiente seco, protegido del polvo y de la luz solar directa.

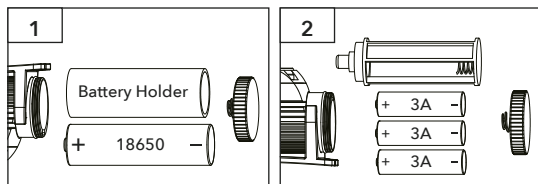
Cuando no utilice el dispositivo durante largos períodos de tiempo, cargue la batería regularmente para evitar que se deteriore.

Guarde el producto en el embalaje original suministrado.

## INSTRUCCIONES

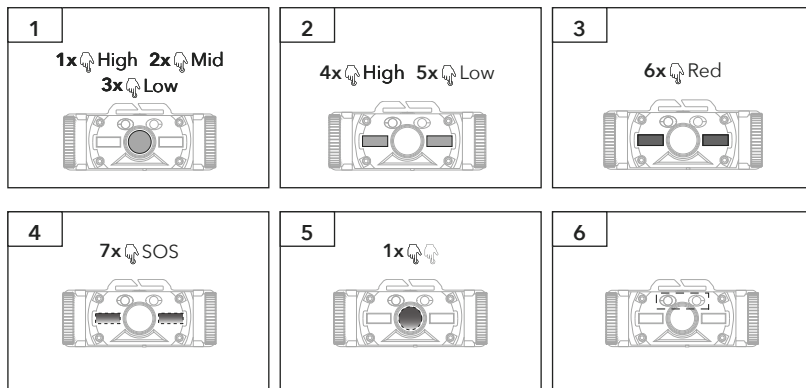
**NOTA:** La correa para la cabeza tiene una forma ergonómica para proporcionar un ajuste cómodo. Utilice las 2 hebillas de ajuste para ajustarla a su cabeza.

### Cómo insertar las pilas/baterías



1. Batería 18650 (incluida)
2. 3 × Pilas AAA (no incluidas)

### Modos de funcionamiento



1. Modos XM-L
2. Modos COB
3. COB rojo
4. Estroboscopio rojo
5. Estroboscopio
6. Sensor de movimiento

**NOTA:** Si utiliza cualquier modo durante más de 5 segundos, puede apagar el dispositivo pulsando el botón una vez. Al utilizar cualquier modo, mantenga el botón pulsado durante 2 segundos para activar el sensor de movimiento. Puede encender y apagar la iluminación moviendo la mano cerca del sensor.

## Cargar la batería

Conecte el aparato al cargador o a un puerto USB utilizando el cable incluido.

Hay cuatro luces LED en la parte inferior del dispositivo que indican el estado de la batería durante la carga.

CARGA					
Indicador luminoso	○○○○	●○○○	●●○○	●●●○	●●●●
Capacidad restante	1-24%	25-44%	45-69%	70-100%	100%

DESCARGA				
Indicador luminoso	●○○○	●●○○	●●●○	●●●●
Capacidad restante	≤24%	25-44%	45-69%	70-100%

- Encendido
- Apagado
- Intermittente

## Resolución de problemas

El usuario puede solucionar algunos problemas. Si el problema persiste después de llevar a cabo las siguientes soluciones, póngase en contacto con el Servicio de Atención al Cliente de Prozis.

PROBLEMA	CAUSA	SOLUCIÓN
El dispositivo no se enciende.	Se ha quedado sin batería.	Cargue la batería.
El producto se apaga automáticamente.	Se ha quedado sin batería.	Cargue la batería.

## Certificado de garantía

Todos los productos eléctricos y electrónicos comercializados por Prozis a través de [www.prozis.com](http://www.prozis.com) están cubiertos por la garantía aplicable a la compraventa de bienes de consumo.

### CONSIDERACIONES GENERALES

En el presente documento se describen los términos y condiciones de la garantía que Prozis ofrece a sus clientes finales.

La presente garantía se aplica exclusivamente a los clientes que adquieran el producto para fines no profesionales.

### PERÍODO DE GARANTÍA

Prozis garantiza que el producto no presentará defectos de materiales ni de fabricación du-

rante un período de 2 años a partir de la fecha de compra por parte del cliente y su respectiva entrega, o durante un periodo más largo si así lo establece la legislación nacional vigente.

En caso de que el producto requiera reparación, el plazo de garantía de 2 años se suspende durante el período en que el artículo se encuentre en reparación.

## **CONSUMIBLES**

La reducción gradual del rendimiento como consecuencia del uso prolongado de los componentes consumibles del producto, como las pilas/baterías, no está cubierta por esta garantía a menos que la avería sea atribuible a defectos de diseño, material o fabricación.

## **CÓMO PRESENTAR UNA RECLAMACIÓN**

Para poder ejercer su derecho de garantía, deberá ponerse en contacto con el Servicio de Atención al Cliente de Prozis a través de los canales de comunicación indicados en la página web de Prozis y seguir las instrucciones o recomendaciones proporcionadas.

La información de contacto y asistencia técnica también se encuentra disponible al final de la presente garantía.

Cualquier reclamación relacionada con la presente garantía solo será válida si el cliente original presenta el justificante de compra, pudiendo este ser la factura o el recibo original que permita comprobar la fecha de compra y el modelo del producto.

## **REPARACIONES EN GARANTÍA**

Las reparaciones en garantía no puede efectuarse por servicios técnicos de terceras partes. La presente garantía no cubre reparaciones o daños directamente ocasionados por dichas reparaciones que hayan afectado o provocado los daños que son objeto de la reclamación de garantía.

## **EXCLUSIONES**

Quedan excluidas de la cobertura los siguientes casos:

1. Cualquier desgaste de piezas y componentes como consecuencia del uso normal del producto.
2. Daños estéticos externos como agrietamientos, abolladuras, arañazos y otros tipos de daños superficiales.
3. Cualquier avería provocada por un uso inadecuado del producto, contraviniendo lo especificado en las instrucciones del manual de uso.
4. Uso y almacenamiento inadecuado del producto, contraviniendo lo especificado en las instrucciones del manual de uso.
5. Intento de reparación del producto por un tercero no autorizado.
6. Cambios o alteraciones de piezas o componentes internos o externos.
7. Daños producidos por fuga del contenido de las pilas/baterías como consecuencia de la ruptura de cualquiera de sus componentes, o por el uso incorrecto del producto.
8. Averías o daños por razones que no pueden atribuirse a la fabricación o diseño del producto.

9. Uso del producto en actividades profesionales, comerciales o empresariales.
10. Avería debido a un uso que no respeta las normas técnicas o de seguridad vigentes o las instrucciones del manual del uso.

Los servicios proporcionados por Prozis de reparación o arreglo de cualquier fallo o avería como consecuencia de cualquiera de las situaciones excluidas anteriormente mencionadas estarán sujetos al pago de costes de mano de obra, transporte y componentes.

El cliente asumirá todos los riesgos de pérdidas y daños que pueda sufrir el producto durante el transporte a Prozis. La presente garantía quedará anulada si las etiquetas o los adhesivos del producto devuelto han sido retirados o están dañados, manipulados o modificados de alguna manera.

### **LIMITACIÓN DE RESPONSABILIDAD**

Prozis no se responsabiliza de daños o pérdidas indirectos como consecuencia del uso del producto.

### **CÓMO SOLICITAR EL SERVICIO DE GARANTÍA**

Para obtener el servicio de garantía, primero deberá ponerse en contacto con el Servicio de Atención al Cliente de Prozis a través de los canales de comunicación indicados en la página web de Prozis y seguir las instrucciones o recomendaciones proporcionadas.

Envíe el producto en su embalaje original, incluyendo todos los accesorios y documentación a la siguiente dirección:

PROZIS  
Rua do Cais n° 198  
4830-345 Póvoa de Lanhoso  
Braga - Portugal

### **CONTACTO**

Para cualquier información adicional, Prozis estará siempre a su disposición a través de nuestro canal de comunicación del Servicio de Atención al Cliente, disponible en [www.prozis.com/support](http://www.prozis.com/support).

Prozis é uma marca comercial registada da PROZIS.COM, S.A.

A Prozis reserva-se o direito de ajustar ou modificar o produto ou qualquer documentação associada com o intuito de garantir a sua aptidão para utilização, a qualquer altura e sem aviso prévio.

**NOTA:** A versão mais recente do manual de utilizador deste produto pode ser encontrada em [www.prozis.com/user-manuals](http://www.prozis.com/user-manuals)

## Declaração de conformidade legal

**CE** A PROZIS declara pelo presente documento que a Lanterna de Cabeça Saturn da Prozis está totalmente em conformidade com todas as normas especificadas na legislação aplicável, bem como com outras cláusulas relevantes.

A Prozis estará sempre disponível para esclarecimentos adicionais através dos canais de comunicação de apoio ao cliente disponíveis no site [www.prozis.com/support](http://www.prozis.com/support)



Para evitar qualquer impacto no ambiente ou na saúde humana devido a substâncias perigosas presentes em dispositivos elétricos e eletrónicos, espera-se que os utilizadores finais de tais dispositivos compreendam o significado do símbolo que consiste num contentor do lixo riscado. Não elimine equipamentos elétricos e eletrónicos juntamente com resíduos domésticos indiferenciados, mas sim de forma separada e adequada.



As pilhas usadas não devem ser eliminadas juntamente com resíduos domésticos. Devem ser depositadas num recipiente especial para pilhas usadas. Esta obrigação destina-se a garantir a eliminação ecológica de pilhas. Elimine-as apenas quando estiverem gastas.



A embalagem que protege o dispositivo contra danos de transporte é feita de materiais não poluentes que podem ser eliminados nos pontos de reciclagem locais.

## Avisos de segurança



**PERIGO!** Este símbolo, em combinação com a nota **Perigo**, alerta para uma situação perigosa. O não cumprimento deste aviso poderá causar lesões nos membros e risco de vida.



### **PERIGO PARA CRIANÇAS E PESSOAS COM INCAPACIDADES**

- Este dispositivo pode ser utilizado por crianças com idade igual ou superior a 8 anos e por pessoas com capacidades físicas, sensoriais ou mentais reduzidas ou com falta de ex-



perícia e conhecimento, desde que sejam supervisionadas ou que recebam instruções relativas à utilização segura do dispositivo e tenham consciência dos riscos associados.

- As crianças não devem brincar com o dispositivo.
- Os materiais da embalagem não são brinquedos para crianças. As crianças não devem brincar com o material da embalagem, visto que existe o risco de asfixia.
- A limpeza e a manutenção não devem ser realizadas por crianças sem supervisão.
- Mantenha o aparelho fora do alcance das crianças.
- Mantenha as pilhas fora do alcance das crianças. Caso uma criança engula uma pilha, consulte imediatamente um médico.



## AVISOS RELATIVOS ÀS PILHAS

- Não recarregue as pilhas não recarregáveis. Existe o risco de explosão e ferimentos!
- Não atire as pilhas para o fogo. Existe o risco de explosão e ferimentos!
- Utilize apenas o tipo de pilhas especificado. Não misture e/ou utilize pilhas antigas e pilhas novas, nem pilhas de marcas diferentes.
- Não ligue os elétrodos + e - um ao outro utilizando metal ou arame. Não transporte nem armazene as pilhas juntamente com objetos metálicos.
- Evite fazer soldagem direta nas pilhas.
- Mantenha as pilhas afastadas da luz solar direta, de temperaturas elevadas e de humidade elevada.
- Verifique regularmente o estado das pilhas.
- O vazamento das pilhas pode danificar o dispositivo. Se as pilhas tiverem vazado, utilize luvas de proteção. Limpe o compartimento das pilhas e as pilhas com um pano limpo e seco.
- Remova imediatamente as pilhas vazias do dispositivo e elimine-as adequadamente. Caso contrário, existe um risco elevado de vazamento.
- Uma descarga eletroestática pode provocar a falha do dispositivo. Se o aparelho não funcionar, substitua as pilhas.

**Para evitar danos ou lesões em utilizadores ou terceiros, garanta o cumprimento dos requisitos que se seguem.**

- Proteja o aparelho e o cabo de carregamento USB dos elementos: chuva, humidade, luz solar direta, temperaturas extremas ou sujidade.
- Mantenha o dispositivo seco. Nunca mergulhe o dispositivo em água.
- Não utilize o dispositivo se este, ou peças deste, tiverem danos visíveis.
- Não altere nem modifique o dispositivo de forma alguma.
- As lâmpadas LED não são substituíveis. Se estas avariarem de forma prematura ou se atingirem o fim da sua vida útil, será necessário substituir o produto na íntegra.
- Manuseie o produto com cuidado. Ao torcer, perfurar ou derrubá-lo, poderá danificar o LED e a bateria.



## CUIDADO! POSSÍVEL RADIAÇÃO ÓTICA PERIGOSA.

Não olhe diretamente para a lanterna enquanto esta estiver ligada. Pode danificar os seus olhos.

---

## Manual de utilizador

### CONTEÚDO DA EMBALAGEM

- 1 × Lanterna de Cabeça LED Saturn da Prozis
- 1 × Suporte para a cabeça
- 1 × Bateria 18650
- 1 × Suporte para a bateria 18650
- 1 × Suporte para 3 pilhas AAA
- 1 × Cabo de carregamento USB
- 1 × Guia rápido

### DESCRIÇÃO DO PRODUTO (VER PÁGINA 2)

1. Fita de cabeça
2. Lanterna de cabeça
3. Suporte para a bateria
4. Botão de alimentação e de modo
5. Porta de carregamento USB
6. Cabo de carregamento USB

### Manutenção e limpeza

Desligue o produto e remova todas as fichas antes de o limpar!

Não utilize agentes ou materiais de limpeza agressivos ou abrasivos como creme de limpeza ou palha de aço. Estes podem danificar a superfície superior do aparelho!

Proteja o dispositivo de gotas e salpicos de água. Utilize apenas um pano limpo e seco para limpar o aparelho e nunca utilize líquidos corrosivos. Utilize um pano ligeiramente humedecido e um agente de limpeza neutro para remover qualquer sujidade resistente.

Certifique-se de que nunca entra humidade no produto durante a limpeza, de modo a evitar danos e subsequentes reparações.

Limpe o parafuso da lanterna de cabeça com um pano suave a cada seis meses e lubrifique o parafuso com óleo de silicone.

### Armazenamento

Quando não estiver a utilizar o dispositivo, guarde-o num ambiente seco, protegido do pó e da luz solar direta.

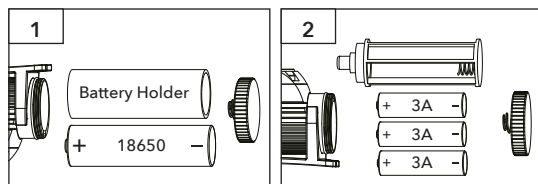
Se não pretender utilizar o aparelho durante um período de tempo prolongado, deve recarregá-lo regularmente. Isto ajuda a manter o desempenho da bateria.

Guarde o aparelho dentro da embalagem original fornecida.

## INSTRUÇÕES

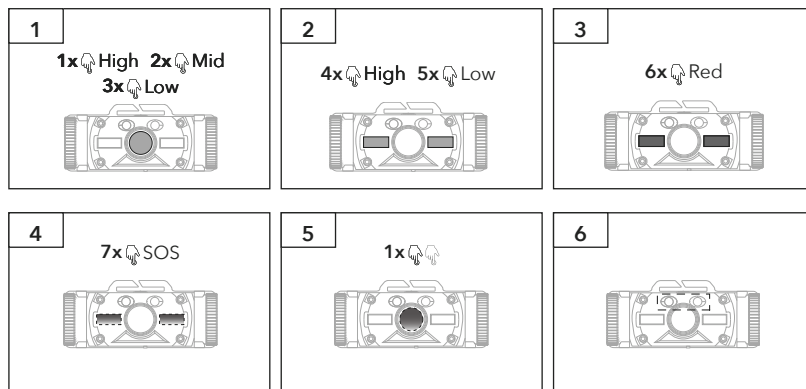
**NOTA:** A fita de cabeça tem um formato ergonómico para proporcionar um ajuste confortável. Utilize as duas fivelas de ajuste para ajustar a fita à sua cabeça.

### Instalação da bateria



1. Bateria 18650 (incluída)
2. 3 × Pilhas AAA (não incluídas)

### Modos de funcionamento



1. Modos XM-L
2. Modos COB
3. COB Vermelho
4. Estroboscópio vermelho
5. Estroboscópio
6. Sensor de movimento

**NOTA:** Se estiver num modo durante mais de 5 segundos, ao premir uma vez o botão irá desligar a luz. Em qualquer modo, prima continuamente o botão durante 2 segundos para ativar o sensor de movimento. A luz poderá ser, então, ligada e desligada ao acenar com a mão junto do sensor.

## Carregar a bateria

Ligue o aparelho ao carregador ou a uma porta USB utilizando o cabo incluído.

Há quatro lâmpadas LED na parte inferior do aparelho que indicam o estado da bateria durante o carregamento.

CARREGAMENTO					
Luz indicadora de alimentação	○ ○ ○ ○	● ○ ○ ○	● ● ○ ○	● ● ● ○	● ● ● ●
Capacidade restante	1-24%	25-44%	45-69%	70-100%	100%

DESCARREGAMENTO					
Luz indicadora de alimentação	● ○ ○ ○	● ● ○ ○	● ● ● ○	● ● ● ●	● ● ● ●
Capacidade restante	≤24%	25-44%	45-69%	70-100%	

● Ligado  
○ Desligado  
○ Intermitente

## Resolução de problemas

Certos problemas que surjam podem ser resolvidos pelo utilizador. Se o problema persistir após experimentar as seguintes soluções, contacte o serviço de apoio ao cliente da Prozis.

PROBLEMA	CAUSA	SOLUÇÃO
O aparelho não liga.	A bateria está vazia.	Recarregue a bateria.
O produto desliga-se automaticamente.	A bateria está vazia.	Recarregue a bateria.

## Declaração de garantia

Todos os produtos elétricos e eletrónicos comercializados pela Prozis através do site [www.prozis.com](http://www.prozis.com) estão abrangidos pela garantia aplicável à aquisição e venda de bens de consumo.

### CONSIDERAÇÕES GERAIS

Este documento contém os termos e as condições da garantia da Prozis para consumidores finais.

Esta garantia é válida exclusivamente para consumidores que adquiram o produto para fins não profissionais.

## **PERÍODO DE GARANTIA**

A Prozis garante um produto sem defeitos de material e fabrico durante um período de 2 anos, a contar a partir da data de aquisição inicial pelo consumidor e respetiva entrega, ou durante mais tempo se legalmente determinado pela legislação nacional aplicável.

Na eventualidade de ser necessário efetuar uma reparação, este período de 2 anos é interrompido durante o tempo de reparação.

## **CONSUMÍVEIS**

A redução gradual do desempenho causada pela utilização prolongada dos componentes consumíveis do produto, como pilhas/baterias, não se encontra abrangida por esta garantia, exceto se a avaria tiver sido causada por defeitos no design, nos materiais ou no fabrico.

## **COMO APRESENTAR UMA RECLAMAÇÃO**

Se surgir a necessidade de exercer os direitos concedidos ao utilizador através desta garantia, entre em contacto com o apoio ao cliente da Prozis através dos canais de comunicação indicados no site da Prozis e siga as instruções ou recomendações fornecidas.

As informações de contacto e assistência técnica também estão indicadas no final desta garantia.

Quaisquer reclamações efetuadas relativamente a esta garantia apenas serão válidas se for apresentada a prova de compra pelo cliente original. Esta prova de compra poderá ser a fatura ou o recibo original, desde que inclua informações referentes à data de aquisição e ao nome do modelo do produto.

## **REPARAÇÕES DENTRO DA GARANTIA**

As reparações ao abrigo desta garantia não podem ser efetuadas por terceiros. Esta garantia não se aplica a reparações, ou danos causados diretamente por tais reparações, que tenham afetado ou causado os danos que constituem o objeto desta reclamação de garantia.

## **EXCLUSÕES**

As situações que se seguem não se encontram abrangidas por esta garantia:

1. Qualquer desgaste de peças e componentes resultante da utilização normal do produto.
2. Fissuras, amolgadelas, riscos e outros tipos de danos superficiais que afetam apenas o aspeto do produto.
3. Qualquer avaria causada por uma utilização inadequada do produto que não esteja de acordo com as instruções do manual de utilizador.
4. Utilização e armazenamento do produto que não estejam em conformidade com as instruções do manual de utilizador.
5. Abertura do produto por terceiros não autorizados a proceder à sua reparação.
6. Modificação ou alteração de peças ou componentes, quer sejam internos ou externos.
7. Danos causados por vazamento da pilha/bateria resultante da quebra de qualquer um

dos seus componentes ou da utilização incorreta do produto.

8. Avaria ou danos devido a motivos que não podem ser atribuídos ao fabrico ou design do produto.
9. Utilização do produto no contexto de empresa, profissional ou comercial.
10. Avaria devido a uma utilização que não cumpra as normas técnicas ou de segurança em vigor ou as instruções do manual de utilizador.

Os serviços fornecidos pela Prozis de reparação ou correção de falhas ou avarias resultantes da verificação de qualquer uma das situações excluídas acima mencionadas estarão sujeitos ao pagamento dos custos com mão de obra, transporte e componentes.

O cliente deverá assumir todos os riscos de perda do produto e danos causados ao mesmo durante o transporte até à Prozis. Esta garantia será nula se o produto devolvido for recebido com etiquetas ou autocolantes que foram removidos, danificados, adulterados ou modificados de alguma forma.

### **RESPONSABILIDADE LIMITADA**

A Prozis não pode ser responsabilizada por perdas ou danos indiretos devido à utilização do produto.

### **O QUE FAZER?**

Para solicitar um serviço previsto na garantia, deve primeiro contactar o apoio ao cliente da Prozis através dos canais de comunicação indicados no site da Prozis e seguir as instruções e recomendações fornecidas.

Devolva o produto dentro da sua embalagem original, incluindo todos os acessórios e toda a documentação, para a seguinte morada:

PROZIS  
Rua do Cais n° 198  
4830-345 Póvoa de Lanhoso  
Braga - Portugal

### **CONTACTOS**

A Prozis está sempre disponível para esclarecimentos adicionais através do seu canal de comunicação de apoio ao cliente em [www.prozis.com/support](http://www.prozis.com/support)

**PROZIS**

Zona Franca Industrial  
Plat 28 - Pavilhão K - Mod 6  
9200-047 Caniçal, Madeira