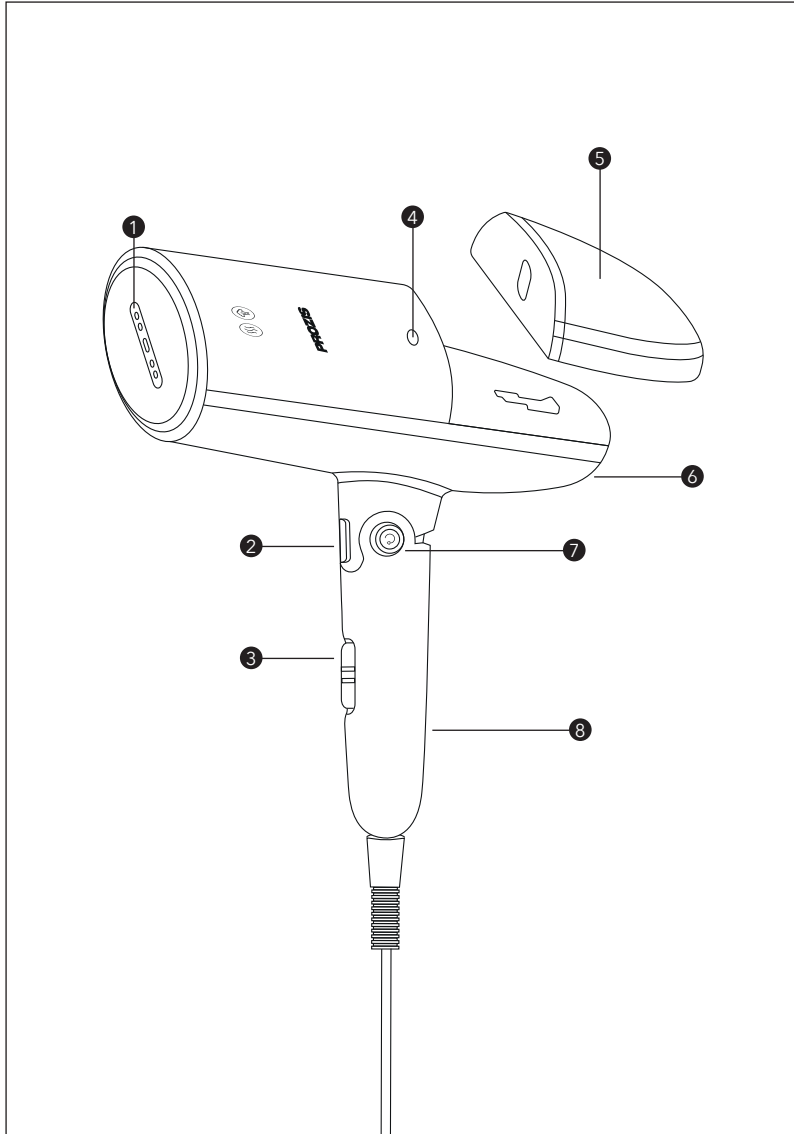


PROZIS

vopure
Portable Steamer

User Manual
Warranty Statement

V.1 10/2021



Language index


EN	4
FR	15
DE	27
IT	40
ES	52
PT	63

Prozis is a registered trademark of PROZIS.COM, S.A.

Prozis reserves the right to adjust or modify the product or any of the associated documentation in order to ensure its suitability for use, at any time and without prior notice.

The most recent version of this product's user manual can be found at www.prozis.com/user-manuals

Legal compliance statement

 By means of this document, PROZIS declares that the Prozis Vapure - Portable Steamer - is fully compliant with all the standards specified in the applicable legislation as well as other relevant clauses.

Prozis will always be available for any additional explanation through our customer support communication channels, available at www.prozis.com/support



To avoid any impact on the environment or human health due to dangerous substances present in electrical and electronic devices, the end users of such devices are expected to understand the meaning of the symbol consisting of a crossed-out waste container. Do not dispose of electrical and electronic equipment along with unsorted household waste. Dispose of it separately and properly instead.



The packaging that protects the device against transport damage is made from non-polluting materials that can be disposed of via local recycle bins.

Safety warnings



DANGER! This symbol, when combined with the note **Danger**, means high risk. Failure to observe this warning may lead to injury to life and limb.



DANGER FOR CHILDREN AND PEOPLE WITH DISABILITIES

- Packing materials are not toys. Children must not play with the packaging materials. There is a suffocation risk.

- This product may be used by children 8 years and up as well as persons with physical, sensory or mental impairments or lacking experience and knowledge, when supervised or instructed in the safe use of the product and understanding the associated risks.
- Children must not play with the device.
- Cleaning and maintenance must not be performed by children without supervision.
- Keep the device out of the reach of children.



DANGER!

- Never fill the water tank with hot water, perfume, vinegar, starch, descaling agents, fabric softener or other chemical reagents.
- Unplug the device when not in use, before filling the tank with water, and before cleaning.
- Be careful using the appliance due to steam output.
- Unplug the appliance while filling and cleaning.
- You should always observe basic precautions while using an electric appliance:
- Read all instructions and keep them for future reference.
- Check that the main voltage indicated on the product matches the voltage of your electrical outlet.

- Do not use the appliance if the main cord, the plug, the light or the appliance itself shows visible damage, if the appliance has been dropped or if it is leaking.
- Do not touch the heating parts to avoid burns.
- To protect against the risk of electric shock, never immerse the appliance in water or other liquids. If this has happened, discontinue the use of the appliance and dispose of it.



The appliance must not be used in the vicinity of water or placed in water (e.g. washbasin, shower, bathtub) – risk of electric shock!

- The use of any accessory not recommended by the manufacturer may cause personal injury or damage the appliance.
- Do not let the cord hang over edges or hot surfaces.
- Burns may occur from touching hot metal parts, hot water, or steam.
- Do not use the appliance if there is not enough water in the water tank.
- Before switching on the device, make sure the heating elements do not touch the surface of the power cord or other objects.
- Never leave the appliance unattended.

- Always pull the plug to unplug the device. Do not pull the cord.
- Make sure the device completely cools down before storage.
- Do not use the appliance for any other than its intended use.
- Do not use it outdoors.
- The appliance must be switched off and cooled down completely before being disassembled to avoid scalds.
- To reduce the risk of contact with hot water emitted from the steam vents, check the appliance before each use. Hold it away from your body and press the steam button.
- Do not leave the appliance unattended while plugged or hot.
- Do not turn the steam towards people or animals, and do not apply it to clothes that are being worn.
- Do not use your bare hand as a supporting surface when steaming. Pull the sides of the garment to stretch it.

If the supply cord is damaged, it must be replaced by the manufacturer, its service agent or similarly qualified persons in order to avoid a hazard.



CAUTION This symbol highlights dangerous situations that can lead to minor to moderate injuries, damage, malfunction, and/or destruction of the device.

To prevent harm or damage from happening to users or others, make sure to comply with the following requirements.

- Always test the garment steamer on a small discreet part of the garment to make sure the temperature is not too high for the fabric.
- Steam may damage or cause discoloration to certain wall or door finishes.
- Place the appliance at a minimum distance of 20 cm away from walls, curtains and other heat - or steam-sensitive materials, and make sure there is adequate space on all sides for air circulation.

User manual

PACKAGE CONTENTS

- 1 × Prozis Vapure - Portable Steamer
- 1 × Quick Guide

PRODUCT OVERVIEW (SEE PAGE 2)

1. Steam nozzle
2. Steam button
3. Power switch
4. Indicator light
5. Removable water tank
6. Main unit
7. Release button
8. Handle

Maintenance and cleaning

Cleaning

Unplug the product, let it cool completely, and remove all plugs before cleaning!

If there is water in the water tank, remove the tank and turn it upside down to ensure that all water is removed.

Do not use harsh or abrasive cleaning agents or steel wool-type materials to clean the components. They can damage the surface of the appliance!

Protect the device from water droplets and spray.

Use only a clean, dry cloth to clean the device and never use any corrosive liquids.

Use a slightly damp cloth and a mild cleaning agent to remove any stubborn dirt.

Allow the appliance to dry thoroughly after wiping.

Make sure no moisture gets in while cleaning to avoid damage to the product and related repairs.



WARNING: Never immerse the steamer, cord or plug in water or any other liquid.

Cleaning the mineral deposit

A common problem that can occur with a steamer is mineral deposit caused by too many water supplies. Mineral residue inside the inner tubes and heater can cause intermittent vaporization or, in some cases, no vaporization at all.

Note: To reduce or eliminate the occurrence of mineral deposits, we recommend using distilled water in the unit. Regular tap water can also be used.

The following recommendations can be used to reduce mineral deposits. If demineralized or distilled water is not used, we recommend following this procedure monthly.

1. Make sure the unit is unplugged and has completely cooled down.
2. Mix a solution of 50% vinegar and 50% water. 60 mL of this solution will be enough.
3. Remove the water inlet cap and slowly pour the mixed solution into the water tank. Replace the cap.
4. Allow it to stand for 40 minutes.
5. Clean the outer cover using a wet cloth.
6. Pour clean water into the tank and pour it out. Repeat this step until the vinegar odor is gone.
7. Reassemble the unit and operate it as usual.

Storage

Allow the unit to cool completely before storing it.

Before storing or packing your garment steamer, empty the water tank. Water can clog internal parts and ruin the appliance.

When no longer using the appliance, store it in a dry environment, protected from dust and direct sunlight.

Fold the cord and store the unit in an upright position in a clean, dry place.

Make sure the water tank is empty. If not, remove it and turn it upside down to ensure that all water is drained.

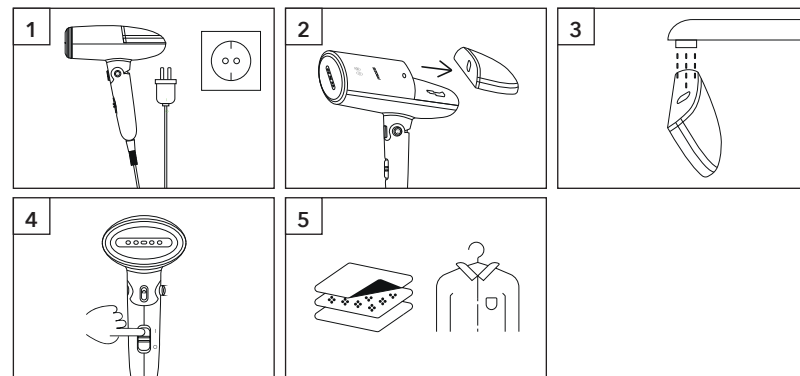
INSTRUCTIONS

How to use

First use

1. Remove the packaging.
2. Fill the water tank to its maximum capacity.
3. Iron a piece of waste cloth twice according to the operating instructions. Little droplets may appear, which is normal.

Operating instructions



1. Make sure the appliance is unplugged and switched off.
2. Remove the water tank from the main unit, and open the water inlet cover.
3. Fill the water tank with an appropriate amount of cold water and then close the water inlet cover. Please check if the tank has been correctly fitted.
4. Plug in the device and push the power switch. The indicator light will flash blue, and the unit will start warming up. Once the indicator light is steady, you can start using the appliance.
5. Thicker clothes or more stubborn wrinkles require more ironing.

Important notes

1. Using distilled or demineralized will reduce the need to clean your steamer and will prolong its lifespan. However, ordinary tap water may be used as well. Use only water into the water tank.
2. Additives such as cleaning agents, detergents, salt, perfume and dyes should never be added to the water tank.
3. Some of these substances are highly flammable which could result in bodily harm or death and some additives may corrode or clog internal parts.
4. After use, clean any residual water and stains on the steam nozzle with a piece of cloth, so as to keep the appliance tidy and extend its lifespan.

For best results

1. Some items are best steamed when turned inside out.
2. Pants may be steamed while being held by the cuffs.
3. While steaming, touch the fabric lightly with the steam nozzle or using the brush attachment and move it up and down to better remove wrinkles. Touching the garment and/or fabric is important.
4. The Handheld steamer will not remove stains from garments.
5. Never steam clothes while wearing them.

6. The Handheld steamer works on most fabrics, including silk, denim, cotton, polyester and wool.
7. Please refer to the label on the clothing to check if your garment can be steamed. In general, some fabrics, such as, leather, suede and velvet may not be suitable for steaming.
8. To ensure your garment is suitable for steaming, steam a small part on the inside as a test, before steaming the whole garment .

Troubleshooting

Some issues that arise may be solved by the user. If the problem persists after having tried the following solutions, please contact Prozis customer service.

PROBLEM	CAUSE	SOLUTION
The steamer does not produce any steam.	The steamer has not heated up sufficiently.	Let the steamer heat up for about 45 seconds before using it.
	You pressed the trigger and then released it.	Press the steam trigger fully and keep it pressed for continuous steam.
	The water level in the water tank is too low.	Unplug the steamer, let it cool completely and refill the water tank.
	The steamer is not plugged in.	Make sure the steamer is plugged into an electrical outlet.
	Electrical outlet is not working.	Plug into another electrical outlet.
	The steamer is not switched on.	Move the slide switch to Low or High setting.
	The water tank isn't properly closed.	Make sure the water tank is properly closed.
The steamer makes a rattling noise and vibrates.	Water tank level is low.	Unplug the unit, let it cool completely and refill the water tank.
Water spills from the water tank.	Water tank level is high.	Make sure that the water is not over the MAXIMUM level.
		Make sure that the water tank inlet cover is properly closed.
		Always use the steamer in an upright position as the operating instructions.
Steam leaves stains on the garment or impurities come out of the steamer head.	Apart from tap water, you have filled other liquids / additives or descaling agents into the water tank.	Use only tap, demineralized or filtered water when filling up the water tank.

Warranty statement

All electrical and electronic products commercialized by Prozis via www.prozis.com are covered by the warranty applicable to the purchase and sale of consumer goods.

GENERAL CONSIDERATIONS

This document contains the terms and conditions of Prozis' warranty for final consumers.

This warranty is valid exclusively for consumers who purchase the product for non-professional purposes.

WARRANTY PERIOD

Prozis guarantees the product is to remain free from material and production defects for a 2-year period, counting from the date of initial purchase by a consumer and respective delivery, or for longer if legally established by the applicable national law.

In the event that repair is required, this 2-year period is suspended during repair time.

CONSUMABLES

The gradual performance decrease caused by prolonged use of the product's consumable components, such as batteries, is not covered by this warranty unless the malfunction is caused by faulty design, materials or production.

HOW TO MAKE A CLAIM

If the need arises to exercise the rights conceded to you through this warranty, please contact Prozis customer service via the communication channels provided on the Prozis website, and follow the provided instructions or recommendations. Contact and technical assistance information is also provided at the end of this warranty.

Any claims made regarding this warranty will only be valid if proof of purchase is presented by the original customer. This proof of purchase may be the original invoice or receipt, as long as it includes information regarding the date of purchase and the product's model name.

WARRANTY REPAIRS

Any repairs made under this warranty cannot be made by third parties. This warranty does not apply to any repairs, or damage caused directly by such repairs, that have impacted or caused the damage that is the subject of the respective warranty claim.

EXCLUSIONS

The following situations are not covered by this warranty:

1. Any wear and tear of parts and components resulting from normal product use.

2. Cracks, dents, scratches, and other types of superficial damage that only affect the product's appearance.
3. Any malfunction caused by inappropriate use of the product that does not comply with user manual instructions.
4. Use and storage of the product not complying with user manual instructions.
5. Opening of the product by a third party who is not authorized to proceed to its repair.
6. Altering or changing parts or components, whether internal or external.
7. Damage caused by battery leakage resulting from the breaking of any of its components, or from product misuse.
8. Malfunction or damage due to reasons that cannot be ascribed to the production or design of the product.
9. Use of the product in the context of a business, occupation or commerce.
10. Malfunction due to use that does not comply with the technical or security norms in force, or with user manual instructions.

The services provided by Prozis in order to repair or fix any fault or malfunction resulting from the verification of any of the aforementioned excluded situations will be subject to payment of labor, transport and component costs.

The customer shall bear all risks of loss and damage to the product during transportation to Prozis. This warranty will be void if the returned product arrives with labels or stickers that have been removed, damaged, tampered with or modified in any way.

LIMITED RESPONSIBILITY

Prozis cannot be held responsible for indirect damage or loss due to usage of the product.

WHAT TO DO?

To request warranty service, you must first contact Prozis customer service via the communication channels provided on the Prozis website, and follow the provided instructions and recommendations.

Send back the product inside its original packaging, including all accessories and documentation, to the following address:

PROZIS
Rua do Cais nº 198
4830-345 Póvoa de Lanhoso
Braga - Portugal

CONTACTS


Prozis is always available for additional clarification through their customer service communication channel at www.prozis.com/support.

PROZIS est une marque déposée de PROZIS.COM, S.A.

PROZIS se réserve le droit d'ajuster ou de modifier le produit ou toute la documentation associée afin d'assurer son adéquation à l'utilisation, à tout moment et sans préavis.

La dernière version du manuel d'utilisation de ce produit est disponible sur www.prozis.com/user-manuals

Déclaration de conformité légale

 Par le présent document, PROZIS déclare que le Défroisseur Portable Vapure de Prozis est entièrement conforme à toutes les normes spécifiées dans la législation applicable ainsi qu'aux autres clauses pertinentes.

Prozis sera toujours disponible pour toute explication supplémentaire par le biais des canaux de communication du service client, disponibles sur www.prozis.com/support



Afin d'éviter tout impact sur l'environnement ou la santé humaine en raison des substances dangereuses présentes dans les appareils électriques et électroniques, les utilisateurs finaux doivent comprendre la signification du symbole représentant une poubelle barrée. Ne jetez pas les appareils électriques et électroniques dans les ordures ménagères non triées, mais plutôt séparément et de façon convenable.



L'emballage qui protège l'appareil contre les dommages dus au transport est constitué de matériaux non polluants qui peuvent être déposés dans des conteneurs de recyclage locaux.

Avertissements de sécurité



DANGER ! Ce symbole, lorsqu'il est associé à la note **Danger**, signifie un risque élevé. Le non-respect de cet avertissement peut entraîner des blessures corporelles et mortelles.



**DANGER POUR LES ENFANTS
ET LES PERSONNES
HANDICAPÉES**

- Les matériaux d'emballage ne sont pas des jouets.

Les enfants ne doivent pas jouer avec le matériel d'emballage. Il y a un risque d'étouffement.

- Ce produit peut être utilisé par des enfants de 8 ans et plus ainsi que par des personnes souffrant de handicaps physiques, sensoriels ou mentaux ou manquant d'expérience et de connaissances, lorsqu'elles sont supervisées ou qu'elles reçoivent des instructions sur l'utilisation sûre du produit et la compréhension des risques associés.
- Les enfants ne doivent pas jouer avec l'appareil.
- Le nettoyage et l'entretien ne doivent pas être effectués par des enfants sans surveillance.
- Tenez l'appareil hors de portée des enfants.

DANGER !

- Ne remplissez jamais le réservoir d'eau avec de l'eau chaude, du parfum, du vinaigre, de l'amidon, des détartrants, de l'adoucissant textile ou d'autres réactifs chimiques.
- Débranchez l'appareil lorsqu'il n'est pas utilisé, avant de remplir le réservoir d'eau et avant de le nettoyer.
- Faites attention à l'utilisation de l'appareil en raison du débit de vapeur.

- Débranchez l'appareil avant de le remplir et le nettoyer.
- Vous devez toujours respecter les précautions de base lorsque vous utilisez un appareil électrique :
 - Lisez toutes les instructions et conservez-les pour vous y référer ultérieurement.
 - Vérifiez que la tension principale indiquée sur le produit correspond à la tension de votre prise électrique.
- N'utilisez pas l'appareil si le cordon d'alimentation, la prise, la lumière ou l'appareil lui-même présentent des dommages visibles, si l'appareil est tombé ou s'il fuit.
- Ne touchez pas les parties chauffantes pour éviter les brûlures.
- Pour vous protéger contre le risque d'électrocution, ne plongez jamais l'appareil dans de l'eau ou d'autres liquides. Si cela se produit, cessez d'utiliser l'appareil et mettez-le au rebut.



L'appareil ne doit pas être utilisé à proximité d'eau ou placé dans ou près d'eau (p. ex., un lavabo, une douche, une baignoire) : risque d'électrocution !

- L'utilisation de tout accessoire non recommandé par le fabricant peut causer des blessures ou endommager l'appareil.
- Ne laissez pas le cordon pendre sur les bords ou les surfaces chaudes.
- Le contact avec des pièces métalliques chaudes, de l'eau chaude ou de la vapeur peut provoquer des brûlures.
- N'utilisez pas l'appareil s'il n'y a pas assez d'eau dans le réservoir d'eau.
- Avant d'allumer l'appareil, assurez-vous que les éléments chauffants ne touchent pas la surface du cordon d'alimentation ou d'autres objets.
- Ne laissez jamais l'appareil sans surveillance.
- Tirez toujours sur la fiche pour débrancher l'appareil. Ne tirez pas sur le cordon.
- Assurez-vous que l'appareil refroidit complètement avant de le stocker.
- N'utilisez pas l'appareil pour un usage autre que celui auquel il est destiné.
- Ne l'utilisez pas à l'extérieur.
- L'appareil doit être éteint et refroidi complètement avant d'être démonté pour éviter les brûlures.
- Pour réduire le risque de contact avec l'eau

chaude émise par les orifices de diffusion de la vapeur, vérifiez l'appareil avant chaque utilisation. Tenez-le loin de votre corps et appuyez sur le bouton vapeur.

- Ne laissez pas l'appareil sans surveillance lorsqu'il est branché ou chaud.
- Ne dirigez pas la vapeur vers des personnes ou des animaux, et ne l'appliquez pas aux vêtements qui sont portés.
- N'utilisez pas votre main comme surface d'appui lorsque vous repassez à la vapeur. Tirez sur les côtés du vêtement pour le tendre.

Si le cordon d'alimentation est endommagé, il doit être remplacé par le fabricant, son agent de service ou toute autre personne qualifiée afin d'éviter tout risque.



ATTENTION ! Ce symbole indique les situations dangereuses qui peuvent entraîner des blessures légères à moyennes, des dommages, un dysfonctionnement et/ou la destruction de l'appareil.

Pour éviter tout dommage ou préjudice aux utilisateurs ou à d'autres personnes, veillez à respecter les exigences suivantes.

- Testez toujours le défroisseur sur une petite partie discrète du vêtement pour vous assurer que la température n'est pas trop élevée pour le tissu.
- La vapeur peut endommager ou décolorer certaines finitions des murs ou des portes.
- Placez l'appareil à une distance minimale de 20 cm des murs, rideaux et autres matériaux sensibles à la chaleur ou à la vapeur, et assurez-vous qu'il y a suffisamment d'espace de tous les côtés pour permettre la circulation de l'air.

Manuel d'utilisation

CONTENU DE L'EMBALLAGE

- 1 x Défroisseur Portable Vapure de Prozis
- 1 x Guide Rapide

DESCRIPTION DU PRODUIT (VOIR PAGE 2)

1. Tête vapeur
2. Bouton vapeur
3. Bouton d'alimentation
4. Voyant lumineux
5. Réservoir d'eau amovible
6. Unité principale
7. Bouton de déblocage
8. Manche

Entretien et nettoyage

Nettoyage

Débranchez le produit, laissez-le refroidir complètement et retirez toutes les fiches avant de le nettoyer !

Si l'y a de l'eau dans le réservoir d'eau, retirez le réservoir et retournez-le pour vous assurer que toute l'eau a été retirée.

N'utilisez pas de produits de nettoyage agressifs ou abrasifs ni de matériaux de type paille de fer pour nettoyer les composants. Ils peuvent endommager la surface de l'appareil !

Protégez l'appareil contre les gouttes ou les projections d'eau.

Utilisez uniquement un chiffon propre et sec pour nettoyer l'appareil et n'utilisez jamais de liquides corrosifs.

Utilisez un chiffon légèrement humide et un produit de nettoyage doux pour enlever toute saleté tenace.

Laissez l'appareil sécher complètement après l'avoir essuyé.

Veillez à ce que l'humidité ne pénètre pas pendant le nettoyage afin d'éviter d'endommager le produit et les réparations connexes.



AVERTISSEMENT : N'immergez jamais le défroisseur, le câble ou la fiche dans de l'eau ou tout autre liquide.

Nettoyage de dépôts minéraux

Un problème courant qui peut survenir avec un défroisseur est le dépôt minéral causé par de nombreuses alimentations en eau. Les résidus minéraux à l'intérieur des tubes internes et de l'élément chauffant peuvent provoquer une vaporisation intermittente ou, dans certains cas, une absence totale de vaporisation.

Remarque : Pour réduire ou éliminer l'apparition de dépôts minéraux, nous recommandons d'utiliser de l'eau distillée. L'eau du robinet ordinaire peut également être utilisée.

Les recommandations suivantes peuvent être suivies pour réduire les dépôts minéraux. Si vous n'utilisez pas d'eau déminéralisée ou distillée, il est recommandé de répéter la procédure suivante une fois par mois.

1. Assurez-vous que l'appareil est débranché et complètement refroidi.
2. Utilisez une solution composée de 50 % de vinaigre et 50 % d'eau. 60 mL de cette solution devraient être suffisants.
3. Retirez le bouchon d'entrée d'eau et versez lentement la solution mélangée dans le réservoir d'eau. Remettez le bouchon en place.
4. Laissez la solution reposer pendant 40 minutes.
5. Nettoyez le couvercle extérieur à l'aide d'un chiffon humide.
6. Versez de l'eau propre dans le réservoir et videz-le. Répétez cette étape jusqu'à ce que l'odeur de vinaigre ait disparu.
7. Remontez l'appareil et utilisez-le normalement.

Stockage

Laissez l'appareil refroidir complètement avant de le stocker.

Avant de ranger ou d'emballer l'appareil, videz le réservoir d'eau. L'eau peut obstruer les pièces internes et endommager l'appareil.

Lorsque vous n'utilisez pas l'appareil, rangez-le dans un endroit sec, à l'abri de la poussière et de la lumière directe du soleil.

Pliez le câble et rangez l'appareil en position verticale dans un endroit propre et sec.

Assurez-vous que le réservoir d'eau est vide. Si ce n'est pas le cas, retirez-le et retournez-le pour vous assurer qu'il est complètement vide.

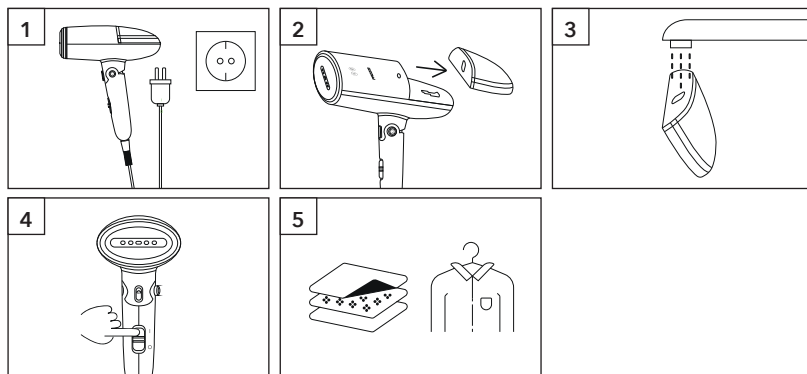
INSTRUCTIONS

Comment utiliser

Première utilisation

1. Enlevez l'emballage.
2. Remplissez le réservoir d'eau au maximum de sa capacité.
3. Repassez deux fois un morceau de tissu usagé en suivant les instructions d'utilisation. De petites gouttelettes peuvent apparaître, ce qui est normal.

Instructions d'utilisation



1. Assurez-vous que l'appareil est débranché et éteint.
2. Retirez le réservoir d'eau de l'unité principale, puis ouvrez le couvercle d'entrée d'eau.
3. Remplissez le réservoir d'eau avec une quantité appropriée d'eau froide, puis fermez le couvercle d'entrée d'eau. Vérifiez si le réservoir a été remis en place correctement.
4. Branchez l'appareil et appuyez sur le bouton d'alimentation. Le voyant lumineux clignote en bleu et l'appareil commence à chauffer. Lorsque le voyant lumineux reste allumé, vous pouvez commencer à utiliser l'appareil.
5. Les vêtements plus épais ou les plis plus tenaces nécessitent plus de repassage.

Remarques importantes

1. L'utilisation d'eau distillée ou déminéralisée réduira la nécessité de nettoyer le défroisseur et prolongera sa durée de vie. Cependant, l'eau du robinet peut également être utilisée. Ne versez que de l'eau dans le réservoir d'eau.
2. N'ajoutez jamais d'additifs tels que des produits de nettoyage, des détergents, du sel, du parfum et des colorants dans le réservoir d'eau.
3. Certaines de ces substances sont très inflammables, ce qui peut provoquer des blessures physiques ou la mort. En outre, certains additifs peuvent corroder ou obstruer les pièces internes.
4. Après utilisation, essuyez les résidus d'eau et les taches de la tête vapeur avec un chiffon pour garder l'appareil propre et prolonger sa durée de vie.

Pour de meilleurs résultats

1. Certains vêtements sont mieux repassés à l'envers.
2. Les pantalons peuvent être repassés en les tenant par le bas.
3. Pendant le repassage, touchez légèrement le tissu avec la tête vapeur ou à l'aide de la brosse et déplacez-la de haut en bas pour mieux éliminer les plis. Il est important de toucher le vêtement et/ou le tissu avec la tête.
4. Le défroisseur portable n'enlève pas les taches sur les vêtements.
5. Ne repassez jamais un vêtement lorsqu'il est porté.
6. Le défroisseur portable fonctionne sur la plupart des tissus, y compris la soie, le denim, le coton, le polyester et la laine.
7. Veuillez vous référer à l'étiquette sur le vêtement pour vérifier si votre vêtement peut être repassé à la vapeur. En général, certains tissus, tels que le cuir, le daim et le velours, ne sont pas adaptés au repassage à la vapeur.
8. Pour vous assurer que votre vêtement peut être repassé à la vapeur, testez une petite partie discrète avant de le repasser.

Résolution de problèmes

Certains problèmes qui surviennent peuvent être résolus par l'utilisateur. Si le problème persiste après avoir essayé les solutions suivantes, veuillez contacter le service client de Prozis.

PROBLÈME	CAUSE	SOLUTION
Le défroisseur ne produit pas de vapeur.	Le défroisseur n'a pas suffisamment chauffé.	Laissez le défroisseur chauffer pendant environ 45 secondes avant de l'utiliser.
	Vous avez appuyé sur le bouton vapeur et l'avez relâchée.	Appuyez à fond sur le bouton vapeur et maintenez-le enfoncé pour obtenir une vapeur continue.
	Le niveau d'eau dans le réservoir est trop bas.	Débranchez le défroisseur, laissez-le refroidir complètement et remplissez le réservoir d'eau.
	Le défroisseur n'est pas branché.	Assurez-vous que le défroisseur est branché sur une prise électrique.
	La prise électrique ne fonctionne pas.	Branchez l'appareil sur une autre prise électrique.

PROBLÈME	CAUSE	SOLUTION
	Le défroisseur est éteint.	Réglez l'interrupteur sur le niveau faible ou élevé.
	Le réservoir d'eau n'est pas correctement fermé.	Assurez-vous que le réservoir d'eau est correctement fermé.
L'appareil émet un bruit métallique et vibre.	Le niveau d'eau dans le réservoir est bas.	Débranchez l'appareil, laissez-le refroidir complètement et remplissez le réservoir d'eau.
L'eau s'écoule du réservoir.	Trop d'eau dans le réservoir.	Assurez-vous que le niveau d'eau ne dépasse pas le niveau MAXIMUM. Assurez-vous que le couvercle d'entrée du réservoir d'eau est correctement fermé. Utilisez toujours le défroisseur en position verticale, comme indiqué dans les instructions.
La vapeur laisse des taches sur le vêtement ou des impuretés sortent de la tête du défroisseur.	En plus de l'eau, d'autres liquides, additifs ou détartrants ont été ajoutés dans le réservoir.	Ne remplissez le réservoir qu'avec de l'eau du robinet, de l'eau déminéralisée ou filtrée.

Déclaration de garantie

Tous les produits électriques et électroniques commercialisés par Prozis via www.prozis.com sont couverts par la garantie applicable à l'achat et à la vente de biens de consommation.

CONSIDÉRATIONS GÉNÉRALES

Ce document contient les conditions générales de la garantie de Prozis pour les consommateurs finaux.

Cette garantie s'applique exclusivement aux consommateurs qui achètent le produit à des fins non professionnelles.

PÉRIODE DE GARANTIE

Prozis garantit que le produit est exempt de défauts de matériel et de production pendant une période de 2 ans, à compter de la date d'achat initial par le consommateur et de la livraison respective, ou pendant une période plus longue si elle est légalement établie par la législation nationale applicable.

En cas de réparation, cette période de 2 ans est suspendue pendant la durée de la réparation.

CONSOMMABLES

La diminution progressive des performances causée par l'utilisation prolongée des composants consommables du produit, tels que les piles/batteries, n'est pas couverte par cette

garantie, sauf si le dysfonctionnement est dû à un défaut de conception, de matériaux ou de production.

COMMENT FAIRE UNE RÉCLAMATION

En cas de besoin d'exercer les droits qui vous sont concédés par la présente garantie, veuillez communiquer avec le service clients de Prozis via les canaux de communication fournis sur le site de Prozis et suivre les instructions ou recommandations

fournies. Les informations de contact et d'assistance technique sont également fournies à la fin de cette garantie.

Toute réclamation relative à cette garantie ne sera valable que sur présentation d'une preuve d'achat par le client d'origine. Cette preuve d'achat peut être l'original de la facture ou du reçu, pourvu qu'elle comprenne des renseignements sur la date d'achat et le nom du modèle du produit.

RÉPARATIONS SOUS GARANTIE

Toute réparation effectuée dans le cadre de cette garantie ne peut être effectuée par des tiers. Cette garantie ne s'applique pas aux réparations ou aux dommages causés directement par ces réparations, qui ont affecté ou causé les dommages faisant l'objet de la respective réclamation sous garantie.

EXCLUSIONS

Les situations suivantes ne sont pas couvertes par cette garantie :

1. Toute usure des pièces et composants résultant d'une utilisation normale du produit.
2. Fissures, bosses, éraflures et autres types de dommages superficiels qui n'affectent que l'apparence du produit.
3. Tout dysfonctionnement causé par une utilisation inappropriée du produit non conforme aux instructions du manuel d'utilisation.
4. Utilisation et stockage du produit non conformes aux instructions du manuel d'utilisation.
5. Ouverture du produit par un tiers qui n'est pas autorisé à procéder à sa réparation.
6. Modification ou changement de pièces ou de composants, qu'ils soient internes ou externes.
7. Dommages causés par une fuite de batterie résultant de la rupture de l'un de ses composants ou d'une mauvaise utilisation du produit.
8. Dysfonctionnement ou dommages dus à des raisons qui ne peuvent être imputées à la production ou à la conception du produit.
9. Utilisation du produit dans le contexte d'un business, d'une profession ou d'un commerce.
10. Dysfonctionnement dû à une utilisation non conforme aux normes techniques ou de sécurité en vigueur, ou aux instructions du manuel d'utilisation.

Les services fournis par Prozis afin de réparer ou dépanner tout défaut ou dysfonctionnement résultant de la vérification de l'une des situations exclues susmentionnées seront soumis au paiement de frais de main-d'œuvre, de transport et de composants.

Le client supporte tous les risques de perte et d'endommagement du produit pendant le transport vers Prozis. Cette garantie sera annulée si le produit retourné est accompagné d'étiquettes ou d'autocollants qui ont été enlevés, endommagés, altérés ou modifiés de quelque façon que ce soit.

RESPONSABILITÉ LIMITÉE

Prozis ne peut être tenue responsable des dommages indirects ou des pertes dues à l'utilisation du produit.

QUE FAIRE ?

Pour demander le service de garantie, vous devez d'abord contacter le service clients de Prozis via les canaux de communication fournis sur le site de Prozis, et suivre les instructions et recommandations fournies.

Renvoyer le produit dans son emballage d'origine, y compris tous les accessoires et la documentation, à l'adresse suivante :

PROZIS
Rua do Cais nº 198
4830-345 Póvoa de Lanhoso
Braga - Portugal

CONTACTS


Prozis est toujours disponible pour des éclaircissements supplémentaires via les canaux de communication du service clients sur www.prozis.com/support.

PROZIS ist eine eingetragene Marke von PROZIS.COM, S.A.

PROZIS behält sich das Recht vor, jederzeit und ohne vorherige Ankündigung, Anpassungen oder Änderungen am Produkt oder der damit verbundenen Dokumentation vorzunehmen, um die Gebrauchstauglichkeit des Produkts sicherzustellen.

Die aktuellste Version der Bedienungsanleitung für dieses Produkt finden Sie unter www.prozis.com/user-manuals

Gesetzliche Konformitätserklärung

 Durch dieses Dokument erklärt PROZIS, dass der Prozis Vapure - Tragbarer Dampfglätter vollständig mit allen in der geltenden Rechtsvorschrift dargelegten Standards sowie anderen relevanten Bestimmungen übereinstimmt.

Für jede weitere Erklärung steht Prozis immer über seine Kundendienst-Kommunikationskanäle unter www.prozis.com/support zur Verfügung.



Um negative Auswirkungen auf die Umwelt oder die menschliche Gesundheit durch gefährliche Stoffe in elektrischen und elektronischen Geräten zu vermeiden, wird vom jeweiligen Endverbraucher erwartet, dass dieser die Bedeutung des Symbols eines durchgestrichenen Abfallbehälters versteht. Entsorgen Sie elektrische und elektronische Altgeräte nicht mit unsortiertem Hausmüll, sondern separat und ordnungsgemäß.



Die Verpackung, die das Gerät vor Transportschäden schützt, ist aus umweltfreundlichen Materialien hergestellt, die in örtlichen Recyclingbehältern entsorgt werden können.

Sicherheitswarnungen



GEFAHR! Dieses Symbol in Kombination mit dem Hinweis **Gefahr** weist auf ein hohes Risiko hin. Wenn diese Warnung nicht beachtet wird, kann dies zu Verletzung der Gliedmaßen und zu Lebensgefahr führen.

GEFAHR FÜR KINDER UND MENSCHEN MIT BEHINDERUNGEN

- Die Verpackung ist kein Spielzeug für Kinder. Kinder dürfen nicht damit spielen, da Erstickungsgefahr besteht.
- Dieses Gerät kann von Kindern im Alter ab 8 Jahren und von Personen mit eingeschränkten physischen, sensorischen oder geistigen Fähigkeiten oder mangelnder Erfahrung und/oder Wissen verwendet werden, wenn diese unter Beaufsichtigung stehen oder sie Anweisungen bezüglich der sicheren Verwendung des Geräts erhalten haben und die Risiken kennen.
- Kinder dürfen nicht mit dem Gerät spielen.
- Die Reinigung und Wartung sollte nicht von unbeaufsichtigten Kindern durchgeführt werden.
- Halten Sie das Gerät von Kindern fern.

GEFAHR!

- Niemals den Wassertank mit heißem Wasser, Parfüm, Essig, Stärke, Entkalkungsmitteln, Weichspüler oder anderen chemischen Substanzen füllen.
- Trennen Sie das Gerät bei Nichtgebrauch, vor

dem Befüllen des Wassertanks und vor seiner Reinigung von der Steckdose.

- Vorsicht mit dem Gerät - es tritt heißer Dampf aus!
- Trennen Sie die Stromverbindung des Geräts, wenn Sie es mit Wasser befüllen oder reinigen.
- Bei der Verwendung eines Elektrogeräts sollten Sie stets die grundlegenden Vorsichtsmaßnahmen beachten:
 - Lesen Sie alle Anweisungen und bewahren Sie sie für zukünftige Referenz auf.
 - Überprüfen Sie, ob die auf dem Produkt angezeigte Hauptspannung mit der Spannung Ihrer Steckdose übereinstimmt.
- Verwenden Sie das Gerät nicht, wenn das Netzkabel, der Stecker, die Leuchte oder das Gerät selbst sichtbare Schäden aufweist, wenn das Gerät fallengelassen wurde oder wenn es undicht ist.
- Die erhitzten Geräteteile nicht berühren, um Verbrennungen zu vermeiden.
- Zum Schutz vor einem Stromschlag sollten Sie das Gerät niemals in Wasser oder andere Flüssigkeiten tauchen. Falls dies geschehen ist, stellen Sie die Verwendung des Geräts ein und entsorgen Sie es.



Das Gerät darf nicht in der Nähe von Wasser oder in/in der Nähe von Wasser verwendet werden (z. B. Waschbecken, Dusche, Badewanne) - Gefahr eines Stromschlags!

- Die Verwendung von nicht vom Hersteller empfohlenem Zubehör kann zu Personenschäden oder Schäden am Gerät führen.
- Lassen Sie das Stromkabel nicht über Kanten oder heiße Oberflächen hängen.
- Durch Berühren von heißen Metallteilen, heißem Wasser oder Dampf kann es zu Verbrennungen kommen.
- Verwenden Sie das Gerät nicht, wenn nicht genügend Wasser im Wassertank ist.
- Stellen Sie vor dem Einschalten des Geräts sicher, dass die Heizelemente die Oberfläche des Netzkabels oder anderer Gegenstände nicht berühren.
- Lassen Sie das Gerät niemals unbeaufsichtigt.
- Ziehen Sie das Gerät immer am Netzstecker aus der Steckdose heraus und niemals am Kabel.
- Achten Sie darauf das Gerät abkühlen zu lassen, bevor Sie es aufbewahren.
- Verwenden Sie das Gerät nicht für einen anderen als den vorgesehenen Zweck.

- Verwenden Sie es nicht im Freien.
- Das Gerät muss vor dem Auseinanderbauen vollständig abgeschaltet und abgekühlt sein, um Verbrennungen zu vermeiden.
- Um die Gefahr des Kontakts mit heißem Wasser aus den Dampföffnungen zu reduzieren, überprüfen Sie das Gerät vor jedem Gebrauch. Halten Sie es von Ihrem Körper weg und drücken Sie die Dampftaste.
- Das Gerät nicht unbeaufsichtigt lassen, während es an der Stromquelle angeschlossen oder während es heiß ist.
- Wenden Sie den Dampf nicht bei Menschen oder Tieren an und wenden Sie ihn nicht auf Kleidung an, die getragen wird.
- Verwenden Sie Ihre Hand nicht als Stützfläche beim Dämpfen. Ziehen Sie an den Seiten des Kleidungsstücks, um es zu dehnen.

Wenn das Netzkabel beschädigt ist, muss es durch den Hersteller, seinen Kundendienst oder ähnlich qualifizierte Personen ersetzt werden, um eine Gefahr zu vermeiden.



VORSICHT! Dieses Symbol weist auf gefährliche Situationen hin, die zu leichten bis mäßigen Verletzungen, Schäden, Fehlfunktionen und/oder zur Zerstörung des Geräts führen können.

Um mögliche Schäden oder Verletzungen von Benutzern oder Dritten zu vermeiden, sollten Sie unbedingt folgende Anforderungen beachten.

- Testen Sie den Kleidungsdämpfer immer an einem kleinen, diskreten Teil des Kleidungsstücks, um sicherzustellen, dass die Temperatur für den Stoff nicht zu hoch ist.
- Dampf kann bestimmte Oberflächen von Wänden oder Türen beschädigen oder verfärben.
- Stellen Sie das Gerät so auf, dass es einen Mindestabstand von 20 cm von Wänden, Vorhängen und anderen wärme- oder dampfempfindlichen Materialien hat und stellen Sie sicher, dass auf allen Seiten ausreichend Platz für Luftzirkulation vorhanden ist.

Bedienungsanleitung

VERPACKUNGSINHALT

- 1 x Prozis Vapure - Tragbarer Dampfglätter
- 1 x Kurzanleitung

PRODUKTBESCHREIBUNG (SIEHE SEITE 2)

1. Dampfdüse
2. Dampftaste
3. Power-Schalter
4. Anzeigelicht
5. Abnehmbarer Wassertank
6. Hauptgerät
7. Entsperrtaste
8. Griff

Reinigung und Wartung

Reinigung

Trennen Sie vor der Reinigung die Stromverbindung des Geräts, lassen Sie es vollständig abkühlen und entfernen Sie alle Stecker!

Wenn sich Wasser im Wassertank befindet, entfernen Sie den Tank und drehen Sie ihn auf den Kopf, um sicherzustellen, dass das gesamte Wasser entfernt wird.

Verwenden Sie keine aggressiven oder scheuernden Reinigungsmittel oder Materialien wie Scheuermilch oder Stahlwolle, da diese die Oberfläche des Geräts beschädigen können!

Schützen Sie das Gerät vor Wassertropfen und Spritzer.

Verwenden Sie zur Reinigung des Geräts nur ein sauberes, trockenes Tuch und niemals korrosive Flüssigkeiten.

Verwenden Sie zur Entfernung hartnäckiger Verschmutzungen ein leicht feuchtes Tuch und ein mildes Reinigungsmittel.

Lassen Sie das Gerät nach dem Abwischen gründlich trocknen.

Stellen Sie sicher, dass während der Reinigung keine Feuchtigkeit in das Produkt eindringt, um Produktschäden und damit verbundene Reparaturen zu vermeiden.



WARNUNG: Tauchen Sie niemals den Dampfglätter, das Kabel oder den Stecker in Wasser oder eine andere Flüssigkeit.

Reinigung der mineralablagerung

Ein häufiges Problem, das bei einem Dampfglätter auftreten kann, ist die durch die reichliche Wasserversorgung verursachte Mineralablagerung. Mineralische Rückstände in den Innenrohren und dem Heizer können zu sprunghafter Verdampfung oder in einigen Fällen gar keiner Verdampfung führen.

Hinweis: Um das Auftreten von Mineralablagerungen zu reduzieren oder zu beseitigen, empfehlen wir die Verwendung von destilliertem Wasser. Auch normales Leitungswasser kann verwendet werden.

Die folgenden Empfehlungen können verwendet werden, um Mineralablagerungen zu reduzieren. Wenn demineralisiertes oder destilliertes Wasser nicht verwendet wird, empfehlen wir, dieses Verfahren monatlich durchzuführen.

1. Stellen Sie sicher, dass das Gerät vom Stromnetz getrennt wurde und vollständig abgekühlt ist.
2. Mischen Sie eine Lösung aus 50 % Essig und 50 % Wasser. 60 mL dieser Lösung reichen aus.
3. Entfernen Sie den Wassereinflaufdeckel und gießen Sie die gemischte Lösung langsam in den Wassertank. Setzen Sie den Deckel erneut auf.
4. Lassen Sie den Wassertank 40 Minuten lang stehen.
5. Reinigen Sie die Außenabdeckung mit einem nassen Tuch.
6. Gießen Sie sauberes Wasser in den Tank und gießen es später wieder aus. Wiederholen Sie diesen Schritt, bis der Essiggeruch abgeklungen ist.
7. Bauen Sie das Gerät wieder zusammen und bedienen Sie es wie gewohnt.

Aufbewahrung

Lassen Sie das Gerät vollständig abkühlen, bevor Sie es aufbewahren.

Leeren Sie den Wassertank bevor Sie den Dampfglätter einpacken oder aufbewahren. Wasser kann die internen Teile verstopfen und das Gerät beschädigen.

Wenn Sie das Gerät nicht mehr verwenden, lagern Sie es in einer trockenen Umgebung, die vor Staub und direkter Sonneneinstrahlung geschützt ist.

Falten Sie das Kabel und lagern Sie das Gerät in einer aufrechten Position an einem sauberen, trockenen Ort.

Achten Sie darauf, dass der Wassertank leer ist. Wenn er nicht leer ist, entfernen Sie ihn und drehen ihn auf den Kopf, um sicherzustellen, dass das gesamte Wasser abgelassen wird.

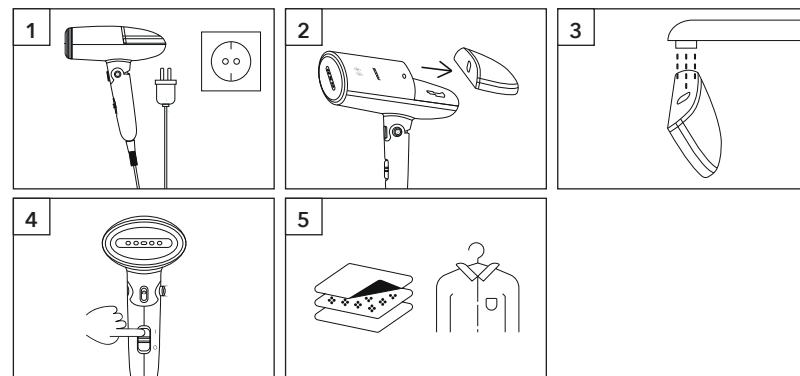
ANWEISUNGEN

Anwendung

Erster gebrauch

1. Verpackung entfernen.
2. Wassertank bis zur maximalen Füllmenge füllen.
3. Bügeln Sie ein Tuch, das Sie später entsorgen, zweimal gemäß der Bedienungsanleitung. Es können sich kleine Tröpfchen zeigen, das ist völlig normal.

Gebrauchsanweisungen



1. Stellen Sie sicher, dass das Gerät ausgesteckt und ausgeschaltet ist.
2. Entfernen Sie den Wassertank aus dem Hauptgerät und öffnen Sie dann den Wassereinflaufdeckel.
3. Füllen Sie den Wassertank mit einer angemessenen Menge an kaltem Wasser und schließen Sie dann den Wassereinflaufdeckel. Überprüfen Sie, ob der Wassertank wieder richtig angebracht ist.
4. Schließen Sie das Gerät an die Steckdose an und drücken den Power-Schalter. Das Anzeigelicht blinkt blau und das Gerät beginnt sich aufzuwärmen. Sobald das Anzeigelicht ständig leuchtet, können Sie das Gerät verwenden.
5. Dickere Kleidung oder hartnäckigere Falten erfordern mehr Bügeln.

Wichtige hinweise

1. Die Verwendung von destilliertem oder demineralisiertem Wasser reduziert die Notwendigkeit, Ihren Dampfglätter zu reinigen und verlängert seine Lebensdauer. Es kann aber auch gewöhnliches Leitungswasser verwendet werden. Bitte nur Wasser in den Wassertank füllen.
2. Zusatzstoffe wie Reinigungsmittel, Spülmittel, Salz, Parfüm und Farbstoffe sollten nie in den Wassertank gefüllt werden.

- Einige dieser Stoffe sind leicht entzündlich, was zu Verletzungen am Körper oder zum Tod führen könnte. Einige Zusatzstoffe können auch zur Korrosion oder Verstopfung der inneren Geräteteile führen.
- Entfernen Sie Restwasser und Flecken auf der Dampfdüse nach dem Gebrauch mit einem Tuch, um das Gerät sauber zu halten und seine Lebensdauer zu verlängern.

Für die besten resultate

- Einige Kleidungsstücke lassen sich am besten mit Dampf behandeln, wenn sie auf links gedreht werden.
- Hosen können mit Dampf behandelt werden, während sie an den Bündchen gehalten werden.
- Berühren Sie den Stoff während des Dämpfens leicht mit der Dampfdüse oder dem Bürstenaufsatz und bewegen Sie sie nach oben und unten, um Falten besser zu entfernen. Es ist wichtig, das Kleidungsstück und/oder den Stoff zu berühren.
- Der tragbare Dampfglätter entfernt keine Flecken von Kleidungsstücken.
- Dämpfen Sie niemals Kleidung, während Sie sie tragen.
- Der tragbare Dampfglätter funktioniert auf den meisten Stoffen, einschließlich Seide, Denim, Baumwolle, Polyester und Wolle.
- Bitte beachten Sie das Etikett auf der Kleidung, um zu überprüfen, ob Ihr Kleidungsstück gedämpft werden kann. Im Allgemeinen sind einige Stoffe, wie Leder, Veloursleder und Samt nicht zum Dämpfen geeignet sein.
- Um sicherzustellen, dass Ihr Kleidungsstück für das Dämpfen geeignet ist, dämpfen Sie als Test einen kleinen Teil auf der Innenseite, bevor Sie das ganze Kleidungsstück dämpfen.

Fehlerbehebung

Manche Probleme können vom Benutzer selbst gelöst werden. Falls das Problem weiterhin besteht, nachdem Sie die folgenden Lösungen ausprobiert haben, kontaktieren Sie den Prozis-Kundenservice.

PROBLEM	URSACHE	LÖSUNG
Der Dampfglätter erzeugt keinen Dampf.	Der Dampfglätter hat sich nicht ausreichend erwärmt.	Lassen Sie den Dampfglätter etwa 45 Sekunden warmwerden, bevor Sie ihn verwenden.
	Sie haben die Dampftaste gedrückt und sie dann losgelassen.	Drücken Sie die Dampftaste vollständig und halten Sie sie für kontinuierlichen Dampf gedrückt.
	Der Wasserstand im Wassertank ist zu niedrig.	Trennen Sie den Dampfglätter von der Steckdose, lassen Sie ihn vollständig abkühlen und füllen Sie den Wassertank bis zur entsprechenden Markierung auf.
	Der Dampfglätter ist nicht an das Stromnetz angeschlossen.	Stellen Sie sicher, dass der Dampfglätter an eine Steckdose angeschlossen ist.
	Die Steckdose funktioniert nicht.	Stecken Sie das Gerät an eine andere Steckdose.

PROBLEM	URSACHE	LÖSUNG
	Der Dampfglätter ist nicht eingeschaltet.	Schieben Sie den Schiebeschalter auf Niedrig oder Hoch.
	Der Wassertank ist nicht richtig geschlossen.	Stellen Sie sicher, dass der Wassertank richtig geschlossen ist.
Der Dampfglätter macht ein raschelndes Geräusch und vibriert.	Der Wasserstand im Wassertank ist zu niedrig.	Trennen Sie die Verbindung des Geräts zum Stromnetz, lassen Sie es vollständig abkühlen und füllen Sie den Wassertank wieder auf.
Wasser fließt aus dem Wassertank.	Im Wassertank ist zu viel Wasser.	Achten Sie darauf, dass der Wasserstand nicht über der MAXIMUM-Markierung liegt.
		Vergewissern Sie sich, dass der Wassereinflaufdeckel des Wassertanks richtig geschlossen ist.
		Verwenden Sie den Dampfglätter immer in aufrechter Position, wie in der Anleitung erwähnt.
Der Dampfglätter hinterlässt Flecken auf dem Kleidungsstück oder aus dem Dampfkopf kommen Verunreinigungen.	Neben Leitungswasser haben Sie dem Wassertank weitere Flüssigkeiten, Ergänzungsmittel oder Entkalkungsmittel beigemischt.	Verwenden Sie beim Befüllen des Wassertanks nur Leitungswasser, demineralisiertes oder gefiltertes Wasser.

Gewährleistungsbestimmung

Alle elektrischen und elektronischen Produkte, die von Prozis via www.prozis.com vermarktet werden, fallen unter die Gewährleistung, die auf Verbrauchergeschäfte Anwendung findet.

ALLGEMEINES

Dieses Dokument enthält die Bedingungen der Gewährleistung von Prozis für Endkunden. Diese Gewährleistung gilt ausschließlich für Kunden, die Produkte für nichtgewerbliche Zwecke kaufen.

LAUFZEIT DER GEWÄHRLEISTUNG

Prozis garantiert, dass ein Produkt 2 Jahre lang keine Material- und Herstellungsmängeln vorweist. Die Laufzeit beginnt ab dem Kaufdatum des Kunden und die jeweilige Zustellung, kann aber auch länger gelten, falls dies gesetzlich durch das anwendbare nationale Recht festgelegt wurde.

Im Fall, dass eine Reparatur nötig ist, wird die 2-Jahre-Laufzeit während der Reparaturzeit suspendiert.

VERBRAUCHSMATERIALIEN

Eine allmähliche Leistungsabnahme als Resultat eines längeren Gebrauchs der Verbrauchsmaterialien des Produktes, wie beispielsweise Akkus, wird nicht durch die Gewährleistung

abgedeckt, es sei denn, die Fehlfunktion wurde durch einen Fehler in der Konstruktion, der Materialien oder der Herstellung verursacht.

WIE WERDEN ANSPRÜCHE GELTEND GEMACHT

Wenn es nötig ist, die durch diese Gewährleistung erteilten Rechte wahrzunehmen, kontaktieren Sie bitte den Prozis Kundenservice durch die auf der Prozis-Webseite zur Verfügung stehenden Kommunikationskanäle und folgen Sie den dort stehenden Anweisungen oder Empfehlungen. Kontaktinformationen und Informationen zum technischen Support stehen ebenfalls am Ende dieser Gewährleistung.

Jegliche Ansprüche, die bezüglich dieser Gewährleistung geltend gemacht werden, werden erst gültig, wenn der Kaufbeleg durch den ursprünglichen Kunden präsentiert wird. Dieser Kaufbeweis kann die originale Rechnung oder Quittung sein, solange es die Informationen bezüglich des Kaufdatums und des Namens des Produktmodells enthält.

GEWÄHRLEISTUNGSREPARATUREN

Jegliche Reparaturen, die im Rahmen dieser Gewährleistung getätigt wurden, können nicht durch Dritte gemacht werden. Von jeglicher Gewährleistung ausgeschlossen sind Reparaturen oder Schäden, die Resultat aus solchen Reparaturen durch Dritte und durch Dritte beeinflusst oder verursacht wurden.

AUSNAHMEN

Folgende Situationen werden von jeglicher Gewährleistung ausgeschlossen:

1. Jegliche Verschleißerscheinungen von Teilen und Bestandteilen, die durch die normale Produktverwendung entstehen.
2. Risse, Dellen, Kratzer und andere Arten von Oberflächenschäden, die nur das Aussehen des Produktes beeinträchtigen.
3. Jegliche Fehlfunktion, die durch die unsachgemäße Produktverwendung, d.h. die den Anweisungen der Bedienungsanleitung nicht entspricht, entsteht.
4. Wenn die Verwendung und Aufbewahrung des Produktes nicht den Anweisungen der Bedienungsanleitung entspricht.
5. Die Öffnung des Produkts durch eine dritte Partei, die nicht autorisiert ist, diese Reparatur zu tätigen.
6. Das Bearbeiten oder Ändern von Teilen oder Komponenten, seien sie von Innen oder von Außen.
7. Durch auslaufende Batterieflüssigkeit verursachte Schäden, die wiederum durch materielle Schäden an den Komponenten oder durch den Missbrauch des Produktes entstanden sind.
8. Eine Fehlfunktion oder ein Schaden, der nicht auf die Herstellung oder das Design des Produktes zurückgeführt werden kann.
9. Die Verwendung des Produktes im Rahmen einer Geschäftstätigkeit, einer Beschäftigung oder eines Handels.
10. Eine Fehlfunktion aus Gründen, die nicht den geltenden technischen Normen oder Sicherheitsnormen, oder nicht den Anweisungen der Bedienungsanleitung entsprechen.

Treten diese oben genannten Situationen ein, fallen für die durch Prozis gebotenen Dienste zum Reparieren von Defekten oder Fehlfunktionen, und die Kosten für die Reparaturarbeiten, den Transport und Ersatzteile werden dem Kunden in Rechnung gestellt.

Der Kunde trägt alle Risiken für den Verlust und die Schädigung des Produktes im Laufe des Transportes zu Prozis. Der Gewährleistungsanspruch erlischt, falls das Produkt mit Etiketten oder Aufklebern abgegeben wird, die entfernt, geschädigt, geändert oder auf sonstige Weise modifiziert wurden.

BESCHRÄNKTE HAFTUNG

Prozis kann nicht für die indirekte Schädigung oder den Verlust durch die Verwendung des Produktes verantwortlich gemacht werden.

WAS MUSS GEMACHT WERDEN?

Um die Gewährleistungsansprüche gelten zu machen, sollten Sie zuerst den Prozis Kundenservice, durch die auf der Webseite von Prozis zur Verfügung stehenden Kommunikationskanäle, kontaktieren und allen zur Verfügung stehenden Anweisungen und Empfehlungen folgen.

Senden Sie das Produkt in der Originalverpackung, inklusive dem ganzen Zubehör und den Unterlagen, an die folgende Adresse zurück:

PROZIS
Rua do Cais nº 198
4830-345 Póvoa de Lanhoso
Braga - Portugal

KONTAKTE


Der Prozis-Kundenservice steht Ihnen jederzeit für weitere Erläuterungen durch die auf der Webseite stehenden Kommunikationskanäle www.prozis.com/support zur Verfügung.

PROZIS è un marchio registrato di proprietà di PROZIS.COM, S.A.


PROZIS si riserva il diritto di adattare o modificare, in qualsiasi momento e senza alcun preavviso, il prodotto o qualsiasi documentazione ad esso associata, per poterne assicurare l'idoneità all'uso.


La versione più recente del manuale d'istruzioni di questo prodotto è disponibile sul sito www.prozis.com/user-manuals

Dichiarazione di conformità legale


 Per mezzo di questo documento, PROZIS dichiara che il prodotto Vapure Prozis - Stiratrice verticale - è pienamente conforme a tutte le norme specificate dalla legislazione in vigore, così come a tutte le clausole rilevanti.

Prozis sarà sempre disponibile a prestare qualsiasi ulteriore chiarimento tramite i suoi canali di comunicazione di assistenza al cliente, disponibili sul sito www.prozis.com/support

 Per evitare qualsiasi impatto sull'ambiente o sulla salute umana dovuto a sostanze pericolose presenti in dispositivi elettrici o elettronici, gli utenti finali di tali dispositivi sono tenuti a comprendere il significato del simbolo che consiste in un contenitore per rifiuti barrato. Non gettare rifiuti di dispositivi elettrici o elettronici insieme alla spazzatura domestica indifferenziata. Smaltire separatamente ed adeguatamente.

 La confezione che protegge il dispositivo dagli eventuali danni provocati dal trasporto è fatta di materiali non inquinanti completamente riciclabili.

Avvertenze di sicurezza

 **PERICOLO!** Questo simbolo, quando seguito dalla nota **Pericolo**, indica un rischio elevato. Il mancato rispetto di questa avvertenza può comportare lesioni fisiche o persino mortali.

PERICOLO PER BAMBINI E PERSONE CON DISABILITÀ

- Il materiale d'imballaggio non è un giocattolo. I bambini non devono giocare con il materiale

d'imballaggio a causa dell'esistenza del rischio di soffocamento.

- Questo prodotto può essere usato da bambini maggiori di 8 anni e da persone con disabilità di natura fisica, sensoriale o mentale o comunque senza un'adeguata esperienza e conoscenza, se sotto supervisione o se hanno ricevuto istruzioni sull'utilizzo sicuro del prodotto e ne comprendono i possibili rischi.
- I bambini non devono giocare con il dispositivo.
- Pulizia e manutenzione non devono essere eseguite da bambini senza supervisione.
- Tenere il dispositivo fuori dalla portata dei bambini.

PERICOLO!

- Non riempire mai il serbatoio con acqua calda, profumo, aceto, amidacei, anti calcare, ammorbidente o altri reagenti chimici.
- Scollegare il dispositivo dalla presa di corrente quando non è in uso, prima di riempire il serbatoio e prima della pulizia.
- Fare attenzione all'uscita di vapore quando si utilizza il dispositivo.
- Scollegare il dispositivo durante la pulizia ed il

riempimento del serbatoio.

- Osservare le precauzioni di base quando si utilizza un dispositivo elettrico:
 - Leggere tutte le istruzioni e conservarle per consultazioni future.
 - Controllare che la tensione indicata sul prodotto sia compatibile con quella della presa di corrente.
- Non utilizzare il dispositivo se esso, il suo cavo di alimentazione, la spina o la spia indicatrice dovessero mostrare segni visibili di danneggiamento o se il dispositivo è stato fatto cadere o se dovesse avere perdite.
- Non toccare le parti riscaldanti al fine di evitare scottature.
- Per evitare il rischio di scossa elettrica, non immergere il dispositivo in acqua o altri liquidi. Se ciò dovesse accadere, interrompere l'uso del dispositivo e disfarsene.



Il dispositivo non deve essere utilizzato in prossimità di acqua né posizionato dentro acqua o vicino ad essa (es., lavandini, docce, vasche da bagno) - rischio di scossa elettrica!

- L'uso di accessori non raccomandati dal fabbricante può comportare lesioni personali o danni al dispositivo.
- Non permettere al cavo di alimentazione di pendere su spigoli o su superfici calde.
- Entrare a contatto con le parti calde in metallo, acqua calda o vapore può comportare scottature.
- Non utilizzare il dispositivo senza una quantità sufficiente di acqua nel serbatoio.
- Prima di accendere il dispositivo, assicurarsi che gli elementi riscaldanti non siano a contatto con il cavo di alimentazione o con altri oggetti.
- Non lasciare mai incustodito il dispositivo.
- Scollegare il dispositivo dalla presa tirando dalla spina e mai dal cavo.
- Assicurarsi che il dispositivo si sia raffreddato completamente prima di riporlo.
- Non utilizzare il dispositivo per scopi diversi da quello per il quale è destinato.
- Non utilizzare il dispositivo all'aperto.
- Al fine di evitare scottature, il dispositivo deve essere spento ed essersi completamente raffreddato prima di essere smontato.
- Per ridurre il rischio di contatto con acqua calda emessa dalle bocchette della bocchetta, control-

lare il dispositivo prima di ogni utilizzo. Tenerlo lontano dal proprio corpo e premere il pulsante vapore.

- Non lasciare incustodito il dispositivo quando è caldo o comunque collegato alla presa di corrente.
- Non indirizzare il getto di vapore verso persone o animali o verso vestiti mentre si indossano.
- Non utilizzare le proprie mani come superficie per il capo durante la stiratura. Tirare i lati del capo per stenderlo.

Se il cavo di alimentazione dovesse essere danneggiato, esso dovrà essere sostituito dal fabbricante, dal suo servizio di assistenza o da personale similmente qualificato al fine di evitare rischi.



ATTENZIONE! Questo simbolo evidenzia situazioni di pericolo che potrebbero portare a lesioni lievi o moderate, danni, malfunzionamento e/o distruzione del dispositivo.

Per evitare danni o lesioni agli utenti o ad altre persone, assicurarsi di rispettare i seguenti requisiti.

- Testare il dispositivo su una piccola e discreta area del capo d'abbigliamento al fine di assicurarsi che la temperatura non sia troppo alta per il tessuto.
- Il vapore può danneggiare o scolorire certi tipi di pareti o rifiniture delle porte.
- Tenere il dispositivo ad una distanza minima di 20 cm da pareti, tende ed altri materiali sensibili al calore o al vapore ed assicurarsi che ci sia sufficiente spazio ai lati per la circolazione dell'aria.

Manuale dell'utente

CONTENUTO DELLA CONFEZIONE

- 1 × Vapure Prozis - Stiratrice Verticale
- 1 × Guida Rapida

DESCRIPCIÓN DEL PRODUCTO (VÉASE PÁGINA 2)

1. Cabezal de vapor
2. Botón de vapor
3. Botón Encender/Apagar
4. Indicador luminoso
5. Depósito de agua extraíble
6. Unidad principal
7. Botón de liberación
8. Mango

Pulizia e manutenzione

Pulizia

Scollegare il prodotto, farlo raffreddare completamente e rimuovere tutte le prese prima della pulizia!

Se dovesse esserci rimasta dell'acqua nel serbatoio, rimuovere il serbatoio e capovolgerlo per assicurarsi che si svuoti completamente.

Non pulire i componenti del dispositivo utilizzando detergenti aggressivi o abrasivi o materia-

li come la lana d'acciaio. Tali materiali potrebbero danneggiare la superficie del dispositivo!

Proteggere il dispositivo da gocce e schizzi d'acqua.

Pulire il motore con un panno pulito e asciutto e non utilizzare liquidi corrosivi.

Per rimuovere lo sporco ostinato, usare un panno leggermente umido ed un detergente delicato.

Dopo averlo pulito, lasciar asciugare bene il dispositivo.

Assicurarsi che non entri umidità all'interno del prodotto durante la pulizia, in modo tale da evitare danni e relative riparazioni.

ATTENZIONE: Non immergere il dispositivo, il cavo o la spina in acqua o altri liquidi.

Pulizia del deposito di minerali

Un problema comune che si potrebbe verificare con questo tipo di dispositivi è un accumulo di minerali causato dall'acqua. I residui di minerali dentro al tubo interno può causare una vaporizzazione intermittente o, in alcuni casi, completamente assente.

Nota: Per ridurre o eliminare il verificarsi di accumuli di minerali, si raccomanda l'utilizzo di acqua distillata. Può essere utilizzata anche la normale acqua del rubinetto.

Le seguenti raccomandazioni possono essere seguite per ridurre il deposito di minerali. Se non si dovesse utilizzare acqua distillata o demineralizzata, si raccomanda di ripetere la seguente procedura una volta al mese.

1. Assicurarsi che il dispositivo sia scollegato e sia completamente raffreddato.
2. Utilizzare una soluzione composta al 50% di aceto e 50% di acqua. 60 mL di tale soluzione dovrebbero bastare.
3. Aprire il coperchio del foro di entrata dell'acqua e versare lentamente la soluzione nel serbatoio. Richiudere il coperchio.
4. Lasciar agire la soluzione per 40 minuti.
5. Pulire il coperchio esterno con un panno umido.
6. Versare dell'acqua pulita nel serbatoio e svuotarlo. Ripetere questo passo fino a che l'odore di aceto non sarà svanito.
7. Riassemblare il dispositivo e utilizzarlo normalmente.

Conservazione

Lasciar raffreddare completamente il dispositivo prima di riporlo.

Prima di riporre il dispositivo, svuotare il serbatoio. L'acqua può otturare le parti interne e danneggiare il dispositivo.

Quando non si utilizza il dispositivo, conservarlo in un luogo asciutto, al riparo dalla polvere e dalla luce diretta del sole.

Ripiegare il cavo e riporre il dispositivo in posizione verticale in un luogo pulito e asciutto.

Assicurarsi che il serbatoio sia vuoto. In caso contrario, rimuovere il serbatoio e capovolgerlo per assicurarsi che si svuoti completamente.

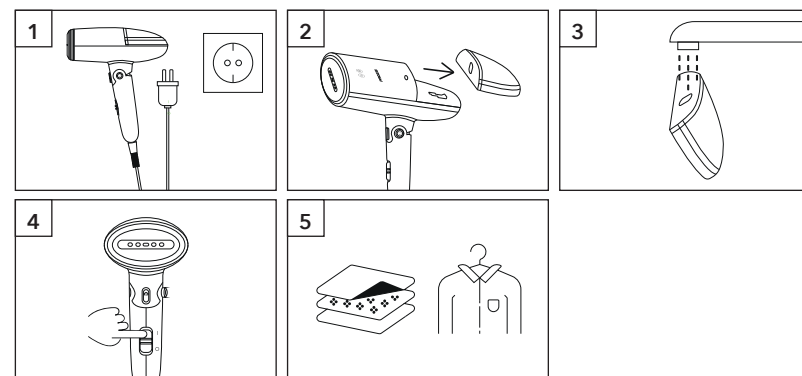
ISTRUZIONI

Come utilizzare il dispositivo

Primo utilizzo

1. Rimuovere l'imballaggio.
2. Riempire il serbatoio dell'acqua fino alla capacità massima.
3. Stirare per due volte uno straccio seguendo le istruzioni per l'uso. Potrebbero apparire delle goccioline, il che è normale.

Istruzioni per l'uso



1. Assicurarsi che il dispositivo sia scollegato e spento.
2. Rimuovere il serbatoio dall'unità principale ed aprire il coperchio del foro di entrata dell'acqua.
3. Riempire il serbatoio con una quantità adeguata di acqua fredda e chiudere il coperchio del foro di entrata dell'acqua. Controllare che il serbatoio sia stato inserito correttamente.
4. Collegare il dispositivo ad una presa di corrente e spostare l'interruttore di alimentazione su ON. La spia indicatrice mostrerà una luce blu lampeggiante ed il dispositivo inizierà a scaldarsi. Una volta che la luce della spia indicatrice è fissa, si può iniziare ad utilizzare il dispositivo.
5. Dei capi più spessi o delle grinze più ostinate richiedono una stiratura maggiore.

Note importanti

- Utilizzare acqua distillata o demineralizzata ridurrà la necessità di pulire il dispositivo e ne allungherà la durata. Tuttavia, è possibile utilizzare anche la normale acqua del rubinetto. Riempire il serbatoio esclusivamente con acqua.
- Non riempire mai il serbatoio con additivi come prodotti per la pulizia, detergenti, sale, profumo e tinture.
- Alcune di queste sostanze sono altamente infiammabili, il che può comportare lesioni fisiche o persino fatali. Inoltre, alcuni additivi possono corrodere o ostruire parti interne.
- Dopo l'utilizzo, ripulire la bocchetta da eventuali residui di acqua o macchie con un panno, in modo da tenere pulito il dispositivo ed estenderne la durata.

Per risultati migliori

- Alcuni capi si stirano meglio al rovescio.
- I pantaloni possono essere stirati tenendoli dagli orli.
- Durante la stiratura, toccare leggermente il tessuto con la bocchetta o con la spazzola accessoria, muovendo su e giù il dispositivo per rimuovere le grinze al meglio. È importante toccare il capo e/o il tessuto.
- Il dispositivo non rimuove macchie dai capi.
- Non stirare vestiti mentre si indossano.
- Il dispositivo funziona sulla maggior parte dei tessuti, compresi seta, jeans, cotone, poliestere e lana.
- Fare riferimento all'etichetta del capo d'abbigliamento per verificare che possa essere stirato. In generale, alcuni tessuti, come pelle, pelle scamosciata e velluto, possono non essere adatti alla stiratura.
- Per assicurarsi che un capo possa essere stirato, effettuare un test su una piccola area all'interno di esso prima di stirare l'intero capo.

Risoluzione dei problemi

Alcuni problemi che dovessero emergere possono essere risolti dall'utente. Se il problema dovesse persistere dopo aver provato le seguenti soluzioni, si prega di contattare il servizio clienti Prozis.

PROBLEMA	CAUSA	SOLUZIONE
Il dispositivo non produce alcun vapore.	Il dispositivo non si è scaldato a sufficienza.	Lasciar scaldare il dispositivo per circa 45 secondi prima di utilizzarlo.
	Il pulsante del vapore è stato premuto e rilasciato subito.	Tenere premuto il pulsante del vapore per ottenere un flusso di vapore continuo.
	Il livello dell'acqua del serbatoio è basso.	Scollegare il dispositivo, lasciarlo raffreddare completamente e riempire il serbatoio.
	Il dispositivo non è collegato ad una presa di corrente.	Assicurarsi che il dispositivo sia collegato ad una presa di corrente.
	La presa di corrente non funziona.	Collegare il dispositivo ad un'altra presa di corrente.

PROBLEMA	CAUSA	SOLUZIONE
	Il dispositivo è spento.	Spostare l'interruttore su Low o su High.
	Il serbatoio non è stato chiuso correttamente.	Assicurarsi che il serbatoio sia stato chiuso correttamente.
Il dispositivo emette un rumore metallico e vibra.	Il livello dell'acqua del serbatoio è basso.	Scollegare il dispositivo, lasciarlo raffreddare completamente e riempire il serbatoio.
C'è una fuoriuscita di acqua dal serbatoio.	Troppa acqua nel serbatoio.	Assicurarsi che il livello dell'acqua non superi il livello MASSIMO.
		Assicurarsi che il coperchio del foro di entrata dell'acqua sia stato chiuso correttamente.
		Utilizzare il dispositivo solamente in posizione verticale, come menzionato nelle istruzioni.
Il vapore lascia delle macchie o dalla testina del dispositivo escono delle impurità.	Oltre all'acqua, sono stati aggiunti altri liquidi, additivi o prodotti decaffeinanti al serbatoio.	Riempire il serbatoio esclusivamente con acqua di rubinetto, acqua demineralizzata o filtrata.

Dichiarazione di garanzia

Tutte le apparecchiature elettriche ed elettroniche vendute da Prozis sul sito www.prozis.com sono coperte da garanzia applicabile agli acquisti e alle vendite di beni di consumo.

CONSIDERAZIONI GENERALI

Questo documento contiene i termini e le condizioni della garanzia di Prozis per il consumatore finale.

Questa garanzia è valida esclusivamente per il consumatore che acquista prodotti per un uso non professionale.

PERIODO DI GARANZIA

Prozis garantisce che le apparecchiature rimangano senza difetti, del materiale e del prodotto stesso, per un periodo di 2 anni a partire dalla data iniziale dell'acquisto da parte del consumatore e della relativa consegna, o per un tempo maggiore, se legalmente stabilito dalla normativa nazionale applicabile.

In caso di riparazione, il periodo di 2 anni è sospeso durante il tempo richiesto dalla riparazione.

BENI DI CONSUMO

La graduale diminuzione delle prestazioni, causata dall'uso prolungato delle componenti deteriorabili, come le batterie, non è coperta da questa garanzia, a meno che il malfunzionamento non sia causato da un difetto di design, materiale o produzione.

COME EFFETTUARE UN RECLAMO

In caso esista il motivo per esercitare il diritto concesso al consumatore da questa garanzia, preghiamo di contattare l'Assistenza Clienti di Prozis attraverso i canali presenti sul sito di Prozis e di seguire le istruzioni e i consigli riportati. I contatti e le informazioni per l'assistenza tecnica si trovano anche alla fine di questa garanzia.

Qualsiasi reclamo effettuato in relazione a questa garanzia sarà valido solo su presentazione di una prova di acquisto da parte del cliente originale. Questa prova può essere la fattura o ricevuta originale, premesso che presenti le informazioni relative alla data dell'acquisto e al nome del modello del prodotto.

RIPARAZIONI IN GARANZIA

Qualsiasi riparazione nell'ambito della presente garanzia non può essere effettuata da terzi. Questa garanzia non si applica a nessun tipo di riparazione o danno causato direttamente da tali riparazioni, che abbiano avuto un impatto o abbiano causato i danni che costituiscono l'oggetto del corrispondente reclamo di garanzia.

ECCEZIONI

Le situazioni seguenti non sono coperte dalla presente garanzia:

1. Qualsiasi usura a parti e componenti che risulti dal normale utilizzo del dispositivo.
2. Crepe, ammaccature, graffi, e altri tipi di danni superficiali che riguardano solo l'aspetto del prodotto.
3. Qualsiasi malfunzionamento causato da utilizzo inappropriato che non rispetta le istruzioni del manuale d'uso.
4. Utilizzo e conservazione del prodotto che non rispetta le istruzioni del manuale d'uso.
5. Apertura del prodotto da terzi non autorizzati a procedere alla riparazione.
6. Alterazione o modifica di parti o componenti, sia interne che esterne.
7. Danni causati da perdite della batteria, provocate da un guasto di una sua qualsiasi componente, oppure da uso improprio del prodotto.
8. Malfunzionamenti o danni causati da situazioni non ascrivibili alla produzione o all'ideazione dell'apparecchiatura.
9. Uso del prodotto in contesti aziendali, professionali o commerciali.
10. Malfunzionamento causato da utilizzo che non rispetta la normativa tecnica e di sicurezza in vigore.

I servizi forniti da Prozis con il fine di riparare o aggiustare qualsiasi tipo di difetto o malfunzionamento derivante da una delle situazioni eccezionali sopracitate, saranno soggetti al pagamento di manodopera, trasporto e costi della componente.

Il cliente deve supportare tutti i rischi di perdita e danno al prodotto durante il trasporto verso la Prozis. Questa garanzia è nulla se l'apparecchiatura restituita non riporta correttamente l'etichetta o l'adesivo, perché rimossi, danneggiati, manomessi o modificati in qualsiasi modo.

RESPONSABILITÀ LIMITATA

Prozis non può ritenersi responsabile per danni o perdita indiretti, dovuti all'uso del prodotto.

COSA FARE?

Al fine di richiedere un servizio di garanzia, il cliente dovrà contattare prima di tutto l'Assistenza Clienti di Prozis attraverso i canali presenti sul sito di Prozis e seguire le istruzioni e i consigli riportati.

Restituire il prodotto all'interno della scatola originale, inclusi tutti gli accessori e i documenti presenti al suo interno, all'indirizzo seguente:

PROZIS
Rua do Cais n° 198
4830-345 Póvoa de Lanhoso
Braga - Portugal

CONTATTI


Prozis è sempre disponibile per ulteriori chiarimenti. Contatta l'Assistenza Clienti all'indirizzo: www.prozis.com/support

PROZIS es una marca registrada de PROZIS.COM, S.A.

PROZIS se reserva el derecho de ajustar o modificar el producto o la documentación asociada en cualquier momento y sin previo aviso a fin de garantizar la idoneidad para su uso.

La versión más reciente del manual de usuario de este producto está disponible para consulta en www.prozis.com/user-manuals

Conformidad legal

 Mediante el presente documento, PROZIS declara que la Plancha de Vapor Vertical Portátil - Vapure de Prozis cumple con todos los requisitos especificados en la legislación vigente, así como en otras disposiciones pertinentes.

Para cualquier información adicional, Prozis estará siempre a su disposición a través de nuestros canales de comunicación del Servicio de Atención al Cliente, disponibles en www.prozis.com/support




A fin de evitar cualquier impacto sobre el medio ambiente o la salud humana debido a sustancias peligrosas presentes en dispositivos eléctricos y electrónicos, los usuarios finales de dichos dispositivos deben comprender el significado del símbolo que consiste en un contenedor de basura tachado con una X. No deseche aparatos eléctricos y electrónicos con la basura doméstica. Dépositelos en el contenedor de reciclaje correspondiente.



El embalaje que protege el dispositivo contra daños durante el transporte se ha fabricado con materiales no contaminantes y se puede desechar en los contenedores de reciclaje convencionales.

Advertencias de seguridad

 **¡PELIGRO!** Este símbolo, acompañado de la advertencia **Peligro (Danger)**, indica un riesgo elevado. Ignorar este aviso puede provocar lesiones o incluso la muerte.

 **PELIGRO PARA NIÑOS Y PERSONAS CON DISCAPACIDAD**

- Los materiales de embalaje no son juguetes. Los

niños no deben jugar con los materiales de embalaje debido al riesgo de asfixia.

- Este producto es apto para niños a partir de 8 años y personas con facultades físicas, sensoriales o mentales reducidas, o que no tengan la experiencia o el conocimiento suficientes, siempre y cuando estén supervisadas o guiadas para usar el producto con seguridad y entiendan los riesgos que implica.
- Asegúrese de que los niños no jueguen con este aparato.
- La limpieza y el mantenimiento no deben llevarse a cabo por niños sin supervisión.
- Mantenga el aparato fuera del alcance de los niños.

¡PELIGRO!

- No llene nunca el depósito de agua con agua caliente, perfume, vinagre, almidón, productos descalcificadores, suavizantes de ropa u otros reactivos químicos.
- Desenchufe el dispositivo cuando no lo esté utilizando, antes de llenar el depósito con agua y antes de limpiarlo.

- Tenga cuidado con la salida de vapor al utilizar el aparato.
- Desenchufe el aparato al limpiarlo y al llenar el depósito de agua.
- Tenga siempre en cuenta las siguientes precauciones básicas al utilizar aparatos eléctricos:
 - Lea este manual y guárdelo para futuras consultas.
 - Compruebe que el voltaje indicado en el producto coincida con el de la red eléctrica.
- No utilice este producto si el mismo, el cable de alimentación, el enchufe o el indicador luminoso presentan daños visibles o si el cuerpo principal se ha caído o tiene fugas.
- Para evitar quemaduras, no toque los elementos calefactores.
- Para protegerse contra el riesgo de descarga eléctrica, nunca sumerja el aparato en agua u otros líquidos. Si esto sucediera, deje de usar el aparato y deséchelo.




No utilice este producto cerca de fuentes de agua ni lo coloque dentro/cerca de agua (lavabos, duchas, bañeras). ¡Existe riesgo de descarga eléctrica!

- El uso de cualquier accesorio no recomendado por el fabricante puede causar lesiones personales o daños materiales.
- No deje que el cable quede colgando de bordes ni que toque superficies calientes.
- Existe riesgo de sufrir quemaduras al tocar las piezas metálicas calientes o al entrar en contacto con agua caliente o vapor.
- No utilice el aparato si no hay suficiente agua en el depósito.
- Antes de encender el aparato, asegúrese de que los elementos calefactores no entren en contacto con el cable de alimentación u otros objetos.
- Nunca deje el aparato sin supervisión.
- No tire del cable de alimentación para desenchufarlo. Desconecte el enchufe.
- Deje que el dispositivo se enfríe por completo antes de guardarlo.
- No utilice este producto para otro fin distinto al indicado en este manual.
- No lo utilice al aire libre.
- Para evitar quemaduras, apague el aparato y espere hasta que se haya enfriado completamente antes de desmontarlo.

- Para reducir el riesgo de contacto con agua caliente que sale por las salidas de vapor, compruebe el estado del aparato antes de cada uso. Manténgalo alejado del cuerpo al presionar el botón de vapor.
- No deje el aparato sin supervisión mientras esté enchufado o caliente.
- No dirija el vapor hacia personas o animales, ni planche la ropa mientras la lleve puesta.
- No utilice las manos como superficie de apoyo al planchar. Tire de los lados de la prenda para estirarla.

Si el cable de alimentación está dañado, este solo debe ser reemplazado por el fabricante, su servicio posventa o bien por personal cualificado a fin de evitar cualquier peligro.

 **¡ATENCIÓN!** Este símbolo identifica situaciones peligrosas que pueden provocar lesiones leves o de gravedad media, daños, avería y/o destrucción del dispositivo.

Para evitar posibles daños o lesiones a los usuarios u otras personas, asegúrese de cumplir con los requisitos descritos a continuación.

- Realice una prueba en una zona pequeña y poco visible de la prenda para asegurarse de que la temperatura no sea demasiado alta para el tejido.
- El vapor puede dañar o provocar la pérdida del color en determinados acabados de paredes o puertas.
- Coloque el aparato a una distancia mínima de 20 cm de paredes, cortinas y otros materiales sensibles al calor o al vapor y asegúrese de que haya suficiente espacio alrededor del mismo para facilitar la circulación del aire.

Manual de usuario

CONTENIDO DE LA CAJA

- 1 x Plancha de Vapor Vertical Portátil - Vapore de Prozis
- 1 x Guía Rápida

DESCRIPCIÓN DEL PRODUCTO (VÉASE PÁGINA 2)

1. Cabezal de vapor
2. Botón de vapor
3. Botón Encender/Apagar
4. Indicador luminoso
5. Depósito de agua extraíble
6. Unidad principal
7. Botón de liberación
8. Mango

Mantenimiento y limpieza

Limpieza

¡Desenchufe el aparato, deje que se enfríe completamente y desconecte todos los cables antes de limpiarlo!

Si hay agua en el depósito de agua, retire el depósito y colóquelo boca abajo para eliminar toda el agua.

No utilice productos de limpieza fuertes o abrasivos ni materiales como estropajos de acero para limpiar los componentes del producto, ya que estos pueden dañar su superficie.

Proteja el producto de goteos o salpicaduras de agua.

Utilice únicamente un paño limpio y seco para limpiarlo y nunca use líquidos corrosivos.

Para eliminar la suciedad persistente, utilice un paño ligeramente húmedo y un producto de limpieza suave.

Deje que el aparato se seque completamente después de limpiarlo.

Para evitar daños y reparaciones relacionadas con estos, asegúrese de que no entre humedad en el producto mientras lo limpia.



Advertencia: Nunca sumerja la plancha, el cable de alimentación ni el enchufe en agua u otros líquidos.

Eliminar la acumulación de minerales

La acumulación de minerales provocada por los diferentes tipos de agua suele ser un problema común en las planchas de vapor. Los residuos minerales acumulados dentro de las cámaras interiores pueden hacer que los golpes de vapor sean intermitentes o incluso nulos.

Nota: Para evitar o eliminar la acumulación de depósitos minerales, recomendamos la utilización de agua destilada. También puede utilizar agua del grifo.

Puede seguir las siguientes recomendaciones para reducir la presencia de depósitos minerales. Si no usa agua desmineralizada o destilada, recomendamos que siga este procedimiento una vez al mes.

1. Asegúrese de que la plancha esté desenchufada y se haya enfriado por completo.
2. Prepare una mezcla de 60 mL de vinagre y agua en proporciones iguales.
3. Retire la tapa de la entrada de agua, vierta lentamente la solución en el depósito de agua y vuelva a colocar la tapa en su sitio.
4. Deje actuar durante 40 minutos.
5. Limpie la cubierta exterior con un paño húmedo.
6. Vierta agua limpia en el depósito y luego elimínela. Repita este paso hasta que desaparezca el olor a vinagre.
7. Vuelva a encajar la unidad y utilícela como de costumbre.

Almacenamiento

Deje que el aparato se enfríe por completo antes de guardarlo.

Antes de guardar la plancha, vacíe el depósito de agua.

El agua puede obstruir las partes internas y dañar el aparato.

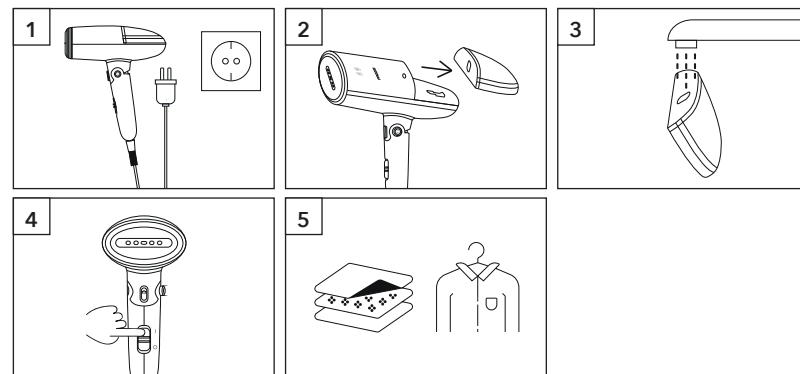
INSTRUCCIONES

Utilización

Primera utilización

1. Retire el material de embalaje.
2. Llene el depósito de agua hasta su capacidad máxima.
3. Planché dos veces un paño según las instrucciones de utilización. La aparición de pequeñas gotas se considera normal.

Instrucciones de utilización



1. Asegúrese de que el aparato esté desenchufado y apagado.
2. Retire el depósito de agua de la unidad principal y abra la tapa de la entrada de agua.
3. Añada la cantidad adecuada de agua fría al depósito y luego cierre la tapa de la entrada de agua. Compruebe si el depósito ha quedado bien encajado.
4. Enchufe el dispositivo y pulse el botón Encender/Apagar. El indicador luminoso parpadeará en azul y el dispositivo comenzará a calentarse. Cuando el indicador luminoso permanezca fijo, puede empezar a usar el aparato.
5. Las prendas más gruesas o las arrugas más marcadas necesitan de más planchado.

Notas importantes

1. El uso de agua destilada o desmineralizada reducirá la necesidad de limpiar la plancha y prolongará su vida útil. Sin embargo, también se puede utilizar agua normal del grifo. No añada otro líquido que no sea agua al depósito.
2. Nunca agregue aditivos como productos de limpieza, detergentes, sal, perfume y tintes al

depósito de agua.

- Algunas de estas sustancias son altamente inflamables, lo que podría provocar lesiones físicas o la muerte. Además, algunos aditivos pueden corroer u obstruir las partes internas.
- Después de su uso, limpie los restos de agua y las manchas del cabezal de vapor con un paño para mantener el aparato limpio y prolongar su vida útil.

Para obtener mejores resultados

- Algunas prendas se planchan mejor del revés.
- Los pantalones se pueden planchar sujetándolos por los bajos.
- Mientras plancha, toque ligeramente el tejido con el cabezal de vapor o usando el accesorio de cepillo y muévelo hacia arriba y hacia abajo para eliminar mejor las arrugas. Es importante tocar la prenda y/o el tejido con el cabezal.
- La plancha de vapor vertical portátil no elimina manchas de las prendas.
- Nunca planche la ropa mientras la lleve puesta.
- La plancha de vapor vertical portátil funciona con la mayoría de los tejidos, incluidos la seda, el tejido vaquero, el algodón, el poliéster y la lana.
- Consulte la etiqueta de la prenda para comprobar si se puede planchar a vapor. En general, algunos tejidos como el cuero, el ante y el terciopelo no son adecuados para el planchado a vapor.
- Para asegurarse de que su prenda se pueda planchar a vapor, realice una prueba en una zona pequeña antes de plancharla.

Cuando no utilice el producto, guárdelo en un ambiente seco, protegido del polvo y de la luz solar directa.

Enrolle el cable y guarde la plancha en posición vertical en un lugar limpio y seco.

Asegúrese de que el depósito de agua esté vacío. De lo contrario, retírelo y colóquelo boca abajo para eliminar el agua que haya quedado en el interior.

Resolución de problemas

El usuario puede solucionar algunos problemas. Si el problema persiste después de llevar a cabo las siguientes soluciones, póngase en contacto con el Servicio de Atención al Cliente de Prozis.

PROBLEMA	CAUSA	SOLUCIÓN
La plancha no libera vapor.	La plancha no se ha calentado lo suficiente.	eje que la plancha se caliente durante aproximadamente 45 segundos antes de usarla.
	Ha pulsado el botón y enseguida lo ha soltado.	Mantenga pulsado el botón de vapor para una liberación continua de vapor.
	El nivel de agua del depósito es demasiado bajo.	Desenchufe la plancha, deje que se enfríe por completo y llene el depósito de agua.

PROBLEMA	CAUSA	SOLUCIÓN
	La plancha no está enchufada.	Asegúrese de que la plancha esté enchufada a la toma de corriente.
	El enchufe de pared no suministra energía.	Utilice otro enchufe.
	La plancha no está encendida.	Mueva el interruptor a Low (Bajo) o High (Alto).
	El depósito de agua no está bien cerrado.	Asegúrese de que el depósito de agua esté bien cerrado.
La plancha hace un ruido inusual y vibra.	El nivel del depósito de agua es bajo.	Desenchufe la plancha, deje que se enfríe por completo y llene el depósito de agua.
Sale agua por el depósito de agua.	Hay demasiada agua en el depósito.	Asegúrese de que el agua no esté por encima del nivel MÁXIMO.
		Asegúrese de que la tapa de la entrada de agua esté bien cerrada.
		Utilice siempre la plancha en posición vertical, según lo indicado en las instrucciones.
El vapor deja manchas en la prenda o salen impurezas del cabezal de vapor.	Aparte de agua del grifo, ha añadido otros líquidos, aditivos o productos descalcificadores al depósito de agua.	Llene el depósito únicamente con agua del grifo, desmineralizada o filtrada.

Certificado de garantía

Todos los productos eléctricos y electrónicos comercializados por Prozis a través de www.prozis.com están cubiertos por la garantía aplicable a la compraventa de bienes de consumo.

CONSIDERACIONES GENERALES

En el presente documento se describen los términos y condiciones de la garantía que Prozis ofrece a sus clientes finales.

La presente garantía se aplica exclusivamente a los clientes que adquieran el producto para fines no profesionales.

PERÍODO DE GARANTÍA

Prozis garantiza que el producto no presentará defectos de materiales ni de fabricación durante un período de 2 años a partir de la fecha de compra por parte del cliente y su respectiva entrega, o durante un periodo más largo si así lo establece la legislación nacional vigente.

En caso de que el producto requiera reparación, el plazo de garantía de 2 años se suspende durante el período en que el artículo se encuentre en reparación.

CONSUMIBLES

La reducción gradual del rendimiento como consecuencia del uso prolongado de los

componentes consumibles del producto, como las pilas/baterías, no está cubierta por esta garantía a menos que la avería sea atribuible a defectos de diseño, material o fabricación.

CÓMO PRESENTAR UNA RECLAMACIÓN

Para poder ejercer su derecho de garantía, deberá ponerse en contacto con el Servicio de Atención al Cliente de Prozis a través de los canales de comunicación indicados en la página web de Prozis y seguir las instrucciones o recomendaciones proporcionadas.

La información de contacto y asistencia técnica también se encuentra disponible al final de la presente garantía.

Cualquier reclamación relacionada con la presente garantía solo será válida si el cliente original presenta el justificante de compra, pudiendo este ser la factura o el recibo original que permita comprobar la fecha de compra y el modelo del producto.

REPARACIONES EN GARANTÍA

Las reparaciones en garantía no puede efectuarse por servicios técnicos de terceras partes. La presente garantía no cubre reparaciones o daños directamente ocasionados por dichas reparaciones que hayan afectado o provocado los daños que son objeto de la reclamación de garantía.

EXCLUSIONES

Quedan excluidas de la cobertura los siguientes casos:

1. Cualquier desgaste de piezas y componentes como consecuencia del uso normal del producto.
2. Daños estéticos externos como agrietamientos, abolladuras, arañazos y otros tipos de daños superficiales.
3. Cualquier avería provocada por un uso inadecuado del producto, contraviniendo lo especificado en las instrucciones del manual de uso.
4. Uso y almacenamiento inadecuado del producto, contraviniendo lo especificado en las instrucciones del manual de uso.
5. Intento de reparación del producto por un tercero no autorizado.
6. Cambios o alteraciones de piezas o componentes internos o externos.
7. Daños producidos por fuga del contenido de las pilas/baterías como consecuencia de la ruptura de cualquiera de sus componentes, o por el uso incorrecto del producto.
8. Averías o daños por razones que no pueden atribuirse a la fabricación o diseño del producto.
9. Uso del producto en actividades profesionales, comerciales o empresariales.
10. Avería debido a un uso que no respeta las normas técnicas o de seguridad vigentes o las instrucciones del manual del uso.

Los servicios proporcionados por Prozis de reparación o arreglo de cualquier fallo o avería como consecuencia de cualquiera de las situaciones excluidas anteriormente mencionadas estarán sujetos al pago de costes de mano de obra, transporte y componentes.

El cliente asumirá todos los riesgos de pérdidas y daños que pueda sufrir el producto durante el transporte a Prozis. La presente garantía quedará anulada si las etiquetas o los adhesivos del producto devuelto han sido retirados o están dañados, manipulados o modificados de alguna manera.

LIMITACIÓN DE RESPONSABILIDAD

Prozis no se responsabiliza de daños o pérdidas indirectos como consecuencia del uso del producto.

CÓMO SOLICITAR EL SERVICIO DE GARANTÍA

Para obtener el servicio de garantía, primero deberá ponerse en contacto con el Servicio de Atención al Cliente de Prozis a través de los canales de comunicación indicados en la página web de Prozis y seguir las instrucciones o recomendaciones proporcionadas.

Envíe el producto en su embalaje original, incluyendo todos los accesorios y documentación a la siguiente dirección:

PROZIS
Rua do Cais nº 198
4830-345 Póvoa de Lanhoso
Braga - Portugal

CONTACTO


Para cualquier información adicional, Prozis estará siempre a su disposición a través de nuestro canal de comunicación del Servicio de Atención al Cliente, disponible en www.prozis.com/support.

PROZIS é uma marca comercial registada da PROZIS.COM, S.A.

A PROZIS reserva-se o direito de ajustar ou modificar o produto ou qualquer documentação associada com o intuito de garantir a sua aptidão para utilização, a qualquer altura e sem aviso prévio.

A versão mais recente do manual de utilizador deste produto pode ser encontrada em www.prozis.com/user-manuals

Declaração de conformidade legal

 A PROZIS declara pelo presente documento que o Ferro a Vapor Portátil Vapore da Prozis está totalmente em conformidade com todas as normas especificadas na legislação aplicável, bem como com outras cláusulas relevantes.

A Prozis estará sempre disponível para esclarecimentos adicionais através dos canais de comunicação de apoio ao cliente disponíveis no site www.prozis.com/support



Para evitar qualquer impacto no ambiente ou na saúde humana devido a substâncias perigosas presentes em dispositivos elétricos e eletrónicos, espera-se que os utilizadores finais de tais dispositivos compreendam o significado do símbolo que consiste num contentor do lixo riscado. Não elimine equipamentos elétricos e eletrónicos juntamente com resíduos domésticos indiferenciados, mas sim de forma separada e adequada.



A embalagem que protege o dispositivo contra danos de transporte é feita de materiais não poluentes que podem ser eliminados nos pontos de reciclagem locais.

Avisos de segurança



PERIGO! Este símbolo, em combinação com a nota **Perigo**, alerta para uma situação perigosa. O não cumprimento deste aviso poderá causar lesões nos membros e risco de vida.



PERIGO PARA CRIANÇAS E PESSOAS COM INCAPACIDADES

- Os materiais da embalagem não são brinquedos.

As crianças não devem brincar com os materiais da embalagem, visto que existe o risco de asfixia.

- Este dispositivo pode ser utilizado por crianças com idade igual ou superior a 8 anos e por pessoas com capacidades físicas, sensoriais ou mentais reduzidas ou com falta de experiência e conhecimento, desde que sejam supervisionadas ou que recebam instruções relativas à utilização segura do dispositivo e tenham consciência dos riscos associados.
- As crianças não devem brincar com o dispositivo.
- A limpeza e a manutenção não devem ser realizadas por crianças sem supervisão.
- Mantenha o aparelho fora do alcance das crianças.

PERIGO!

- Nunca encha o reservatório de água com água quente, perfume, vinagre, goma, agentes desincrustantes, amaciador de roupa ou outros reagentes químicos.
- Desligue o dispositivo da tomada quando este não estiver a ser utilizado, antes de encher o reservatório com água e antes de limpar.
- Tenha cuidado ao utilizar o aparelho devido à

saída de vapor.

- Desligue o aparelho da tomada para o encher e limpar.
- Cumpra sempre precauções básicas ao utilizar um aparelho elétrico:
 - Leia todas as instruções e guarde-as para referência futura.
 - Certifique-se de que a tensão indicada no produto corresponde à tensão da sua tomada.
- Não utilize o aparelho se o cabo principal, a ficha, a lâmpada ou o próprio aparelho tiverem danos visíveis, se o aparelho tiver caído ou se tiver alguma fuga.
- Não toque nas peças quentes para evitar queimaduras.
- Para se proteger contra o risco de choque elétrico, nunca mergulhe o aparelho em água ou noutros líquidos. Se isso tiver acontecido, interrompa a utilização do aparelho e descarte-o.



O aparelho não deve ser utilizado nas proximidades imediatas de água, nem deve ser colocado sobre/junto de água (por ex., lavatório, chuveiro, banheira) - risco de choque elétrico!

- A utilização de acessórios não recomendados pelo fabricante pode causar ferimentos pessoais ou danos no aparelho.
- Não deixe o cabo pendurado sobre bordas nem superfícies quentes.
- Entrar em contacto com peças metálicas quentes, água quente ou vapor pode causar queimaduras.
- Não utilize o aparelho se o reservatório de água não tiver água suficiente.
- Antes de ligar o dispositivo, certifique-se de que os elementos de aquecimento não tocam na superfície do cabo de alimentação, nem noutros objetos.
- Nunca deixe o dispositivo sem supervisão.
- Puxe sempre a ficha para desligar o dispositivo. Não puxe o cabo.
- Certifique-se de que o dispositivo arrefece completamente antes de o guardar.
- Não utilize o aparelho para qualquer outro fim diferente do previsto.
- Não o utilize no exterior.
- O aparelho deve estar desligado e deve arrefecer completamente antes de ser desmontado para evitar queimaduras.
- Para reduzir o risco de contacto com a água quen-

te emitida pelas aberturas de vapor, verifique o aparelho antes de cada utilização. Segure-o a uma distância apropriada do seu corpo e prima o botão de vapor.

- Não deixe o dispositivo sem supervisão enquanto este estiver ligado à tomada ou quente.
- Não aponte o vapor na direção de pessoas ou animais e não o aplique em peças de vestuário que estejam a ser usadas.
- Não utilize as suas mãos desprotegidas como superfície de apoio enquanto estiver a utilizar o ferro a vapor. Puxe os lados do tecido para o esticar.

Se o cabo de alimentação estiver danificado, deve ser substituído pelo fabricante, por um agente autorizado ou por pessoas com qualificações semelhantes de modo a evitar perigos.



CUIDADO! Este símbolo alerta para uma situação perigosa que pode causar ferimentos ligeiros ou danos, avaria e/ou destruição do dispositivo.

Para evitar danos ou lesões em utilizadores ou terceiros, garanta o cumprimento dos requisitos que se seguem.

- Teste sempre o ferro a vapor numa área pequena e discreta da peça de vestuário para garantir que a temperatura não é demasiado elevada para o tecido.
- O vapor pode danificar ou descolorar certos acabamentos de paredes ou portas.
- Coloque o aparelho a uma distância mínima de 20 cm de paredes, cortinas e outros materiais sensíveis ao calor/vapor e certifique-se de que há espaço suficiente à volta, de todos os lados, para fins de circulação do ar.

Manual do utilizador

CONTEÚDO DA EMBALAGEM

- 1 x Ferro a Vapor Portátil Vapore da Prozis
- 1 x Guia Rápido

DESCRIÇÃO DO PRODUTO (CONSULTAR A PÁGINA 2)

1. Bocal de vapor
2. Botão de vapor
3. Interruptor para Ligar/Desligar
4. Luz indicadora
5. Reservatório de água removível
6. Unidade principal
7. Botão de libertação
8. Pega

Manutenção e limpeza

Limpeza

Desligue o produto, permita que arrefeça completamente e remova todas as fichas antes de o limpar!

Se houver água no reservatório de água, remova o reservatório e vire-o ao contrário para garantir a saída da água.

Não utilize agentes de limpeza agressivos ou abrasivos ou materiais como palha de aço para limpar os componentes. Estes podem danificar a superfície do aparelho!

Proteja o dispositivo de gotas e salpicos de água.

Utilize apenas um pano limpo e seco para limpar o dispositivo e nunca utilize líquidos corrosivos.

Utilize um pano ligeiramente humedecido e um agente de limpeza neutro para remover a sujidade resistente.

Permita que o aparelho seque minuciosamente depois de o limpar.

Certifique-se de que não entra humidade durante a limpeza de modo a evitar danificar o produto e subsequentes reparações.



Aviso: Nunca mergulhe o ferro a vapor, o cabo ou a ficha em água ou noutros líquidos.

Limpar o depósito de minerais

Um problema comum que pode ocorrer com o ferro a vapor é o depósito de minerais causado pela água. Os resíduos minerais dentro dos tubos interiores podem causar vaporização intermitente ou, em alguns casos, a ausência de vaporização.

Nota: Para reduzir ou eliminar a ocorrência de depósitos de minerais, recomendamos que utilize água destilada. Também pode utilizar água da torneira.

Pode seguir as seguintes recomendações para reduzir o depósito de minerais. Se não utilizar água não mineralizada ou destilada, recomendamos que faça isto uma vez por mês.

1. Certifique-se de que a unidade está desligada e que arrefeceu completamente.
2. Misture uma solução de 50% de vinagre e 50% de água. 60 mL desta solução serão suficientes.
3. Remova a tampa de entrada de água e verta lentamente a solução de mistura para o reservatório de água. Coloque novamente a tampa.
4. Aguarde 40 minutos.
5. Limpe a cobertura exterior com um pano húmido.
6. Coloque água limpa no reservatório e despeje-a. Repita este passo até já não sentir o odor a vinagre.
7. Volte a montar a unidade e utilize-a normalmente.

Armazenamento

Permita que a unidade arrefeça completamente antes de a guardar.

Antes de guardar ou embalar o seu ferro a vapor, esvazie o reservatório de água. A água pode entupir as peças internas e estragar o aparelho.

Quando o aparelho não estiver em utilização, guarde-o num ambiente seco, ao abrigo do pó e da luz solar direta.

Dobre o cabo e guarde a unidade na vertical em local limpo e seco.

Certifique-se de que o reservatório de água está vazio. Se não estiver, remova-o e vire-o para baixo para garantir a saída da água.

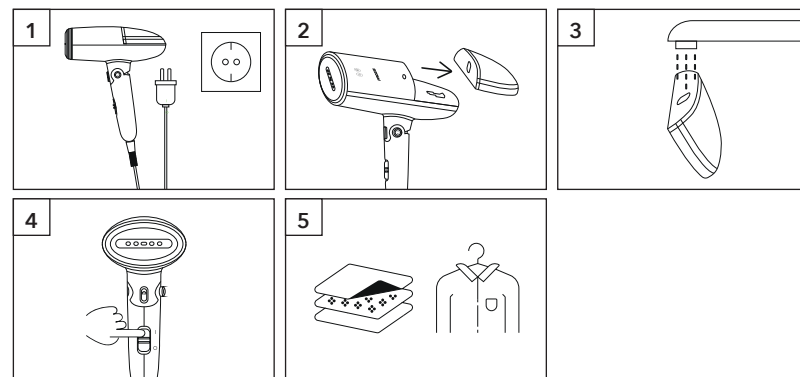
INSTRUÇÕES

Como utilizar

Primeira utilização

1. Remova a embalagem.
2. Encha o reservatório de água até ao seu limite de capacidade máximo.
3. Passe um pedaço de tecido velho duas vezes de acordo com as instruções de funcionamento. Podem aparecer pequenas gotas, isso é normal.

Instruções de funcionamento



1. Certifique-se de que o aparelho está desligado e não está ligado à tomada.
2. Remova o reservatório de água da unidade principal e, em seguida, abra a cobertura da entrada de água.
3. Encha o reservatório de água com uma quantidade adequada de água fria e, em seguida, feche a cobertura da entrada de água. Verifique se o reservatório ficou devidamente encaixado.
4. Ligue o dispositivo à tomada e empurre o interruptor. A luz indicadora irá piscar a azul e a

unidade irá começar a aquecer. Assim que a luz indicadora ficar estática, pode começar a utilizar o aparelho.

- Peças de vestuário mais grossas ou dobras mais resistentes podem requerer mais tempo de vapor.

Notas importantes

- Ao utilizar água destilada ou desmineralizada, irá reduzir a necessidade de limpar o seu ferro a vapor e irá prolongar a sua vida útil. Contudo, também pode utilizar água da torneira. Coloque apenas água no reservatório de água.
- Nunca adicione aditivos, como agentes de limpeza, detergentes, sal, perfume e tintas ao reservatório de água.
- Algumas dessas substâncias são altamente inflamáveis, o que pode resultar em ferimentos ou morte, e alguns destes aditivos podem corroer ou obstruir as peças internas.
- Após a utilização, limpe qualquer água residual e manchas do bocal de vapor com um pano, de modo a manter o aparelho limpo e prolongar a sua vida útil.

Para obter os melhores resultados

- Certos artigos são passados melhor quando estão virados do avesso.
- As calças podem ser passadas enquanto estiverem a ser seguradas pelas bainhas.
- Enquanto estiver a passar a vapor, toque ligeiramente no tecido com o bocal de vapor ou utilizando o acessório de escova, e mova-o para cima e para baixo para uma melhor remoção de dobras. Tocar na roupa/no tecido é importante.
- O ferro a vapor portátil não irá remover manchas da roupa.
- Nunca passe a roupa que tem vestida com o ferro a vapor.
- O ferro a vapor portátil funciona na maioria dos tecidos, incluindo seda, ganga, algodão, poliéster e lã.
- Consulte a etiqueta da peça de vestuário para verificar se a sua roupa pode ser passada com o ferro a vapor. Geralmente, certos tecidos como couro, camurça e veludo não são adequados para o ferro a vapor.
- Para garantir que pode passar a sua peça de vestuário com o ferro a vapor, passe uma área pequena, do avesso, como teste, antes de passar a peça na íntegra.

Resolução de problemas

Certos problemas que surjam podem ser resolvidos pelo utilizador. Se o problema persistir após experimentar as seguintes soluções, contacte o serviço de apoio ao cliente da Prozis.

PROBLEMA	CAUSA	SOLUÇÃO
O ferro a vapor não está a produzir vapor.	O ferro a vapor não aqueceu o suficiente.	Permita que o ferro a vapor aqueça durante 45 segundos antes de o utilizar.
	Premiu o botão e, em seguida, libertou-o.	Prima o botão de vapor e mantenha-o premido para obter um vapor contínuo.

PROBLEMA	CAUSA	SOLUÇÃO
	O nível de água no reservatório de água está demasiado baixo.	Desligue o ferro a vapor da tomada, permita que arrefeça completamente e encha o reservatório de água.
	O ferro a vapor não está ligado.	Certifique-se de que o ferro a vapor está ligado a uma tomada elétrica.
	A tomada elétrica não funciona.	Ligue-o a outra tomada elétrica.
	O ferro a vapor não está ligado.	Mova o interruptor para a definição Low (Baixo) ou High (Alto).
	O reservatório de água não está devidamente fechado.	Certifique-se de que o reservatório de água está devidamente fechado.
O ferro a vapor emite um ruído e vibra.	O nível do reservatório de água está baixo.	Desligue a unidade, permita que arrefeça completamente e encha o reservatório de água.
Derramamento de água do reservatório de água.	Demasiada água no reservatório.	Certifique-se de que a água não está acima do nível MAXIMUM (Máximo).
		Certifique-se de que a cobertura da entrada do reservatório de água está devidamente fechada.
		Utilize sempre o ferro a vapor na vertical, conforme mencionado nas instruções.
O ferro a vapor deixa manchas no tecido ou emite impurezas.	Além de água da torneira, adicionou outros líquidos, aditivos ou agentes de descalcificação ao reservatório de água.	Utilize apenas água de torneira, não mineralizada ou filtrada para encher o reservatório de água.

Declaração de garantia

Todos os produtos elétricos e eletrónicos comercializados pela Prozis através do site www.prozis.com estão abrangidos pela garantia aplicável à aquisição e venda de bens de consumo.

CONSIDERAÇÕES GERAIS

Este documento contém os termos e as condições da garantia da Prozis para consumidores finais.

Esta garantia é válida exclusivamente para consumidores que adquiram o produto para fins não profissionais.

PERÍODO DE GARANTIA

A Prozis garante um produto sem defeitos de material e fabrico durante um período de 2 anos, a contar a partir da data de aquisição inicial pelo consumidor e respetiva entrega, ou durante mais tempo se legalmente determinado pela legislação nacional aplicável.

Na eventualidade de ser necessário efetuar uma reparação, este período de 2 anos é interrompido durante o tempo de reparação.

CONSUMÍVEIS

A redução gradual do desempenho causada pela utilização prolongada dos componentes consumíveis do produto, como pilhas/baterias, não se encontra abrangida por esta garantia, exceto se a avaria tiver sido causada por defeitos no design, nos materiais ou no fabrico.

COMO APRESENTAR UMA RECLAMAÇÃO

Se surgir a necessidade de exercer os direitos concedidos ao utilizador através desta garantia, entre em contacto com o apoio ao cliente da Prozis através dos canais de comunicação indicados no site da Prozis e siga as instruções ou recomendações fornecidas.

As informações de contacto e assistência técnica também estão indicadas no final desta garantia.

Quaisquer reclamações efetuadas relativamente a esta garantia apenas serão válidas se for apresentada a prova de compra pelo cliente original. Esta prova de compra poderá ser a fatura ou o recibo original, desde que inclua informações referentes à data de aquisição e ao nome do modelo do produto.

REPARAÇÕES DENTRO DA GARANTIA

As reparações ao abrigo desta garantia não podem ser efetuadas por terceiros. Esta garantia não se aplica a reparações, ou danos causados diretamente por tais reparações, que tenham afetado ou causado os danos que constituem o objeto desta reclamação de garantia.

EXCLUSÕES

1. As situações que se seguem não se encontram abrangidas por esta garantia:
2. Qualquer desgaste de peças e componentes resultante da utilização normal do produto.
3. Fissuras, amolgadelas, riscos e outros tipos de danos superficiais que afetam apenas o aspeto do produto.
4. Qualquer avaria causada por uma utilização inadequada do produto que não esteja de acordo com as instruções do manual de utilizador.
5. Utilização e armazenamento do produto que não estejam em conformidade com as instruções do manual de utilizador.
6. Abertura do produto por terceiros não autorizados a proceder à sua reparação.
7. Modificação ou alteração de peças ou componentes, quer sejam internos ou externos.
8. Danos causados por vazamento da pilha/bateria resultante da quebra de qualquer um dos seus componentes ou da utilização incorreta do produto.
9. Avaria ou danos devido a motivos que não podem ser atribuídos ao fabrico ou design do produto.
10. Utilização do produto no contexto de empresa, profissional ou comercial.

Avaria devido a uma utilização que não cumpra as normas técnicas ou de segurança em vigor ou as instruções do manual de utilizador.

Os serviços fornecidos pela Prozis de reparação ou correção de falhas ou avarias resultantes da verificação de qualquer uma das situações excluídas acima mencionadas estarão sujeitos ao pagamento dos custos com mão de obra, transporte e componentes.

O cliente deverá assumir todos os riscos de perda do produto e danos causados ao mesmo durante o transporte até à Prozis. Esta garantia será nula se o produto devolvido for recebido com etiquetas ou autocolantes que foram removidos, danificados, adulterados ou modificados de alguma forma.

RESPONSABILIDADE LIMITADA

A Prozis não pode ser responsabilizada por perdas ou danos indiretos devido à utilização do produto.

O QUE FAZER?

Para solicitar um serviço previsto na garantia, deve primeiro contactar o apoio ao cliente da Prozis através dos canais de comunicação indicados no site da Prozis e seguir as instruções e recomendações fornecidas.

Devolva o produto dentro da sua embalagem original, incluindo todos os acessórios e toda a documentação, para a seguinte morada:

PROZIS
Rua do Cais nº 198
4830-345 Póvoa de Lanhoso
Braga - Portugal

CONTACTOS

A Prozis está sempre disponível para esclarecimentos adicionais através do seu canal de comunicação de apoio ao cliente em www.prozis.com/support

PROZIS

Zona Franca Industrial
Plat 28 - Pavilhão K - Mod 6
9200-047 Caniçal, Madeira