

A close-up photograph of a black gaming chair with red stitching. The chair's backrest is visible, featuring a textured, perforated material. A white rectangular box is overlaid on the center of the image, containing the text 'PROZIS GAMING CHAIR'.

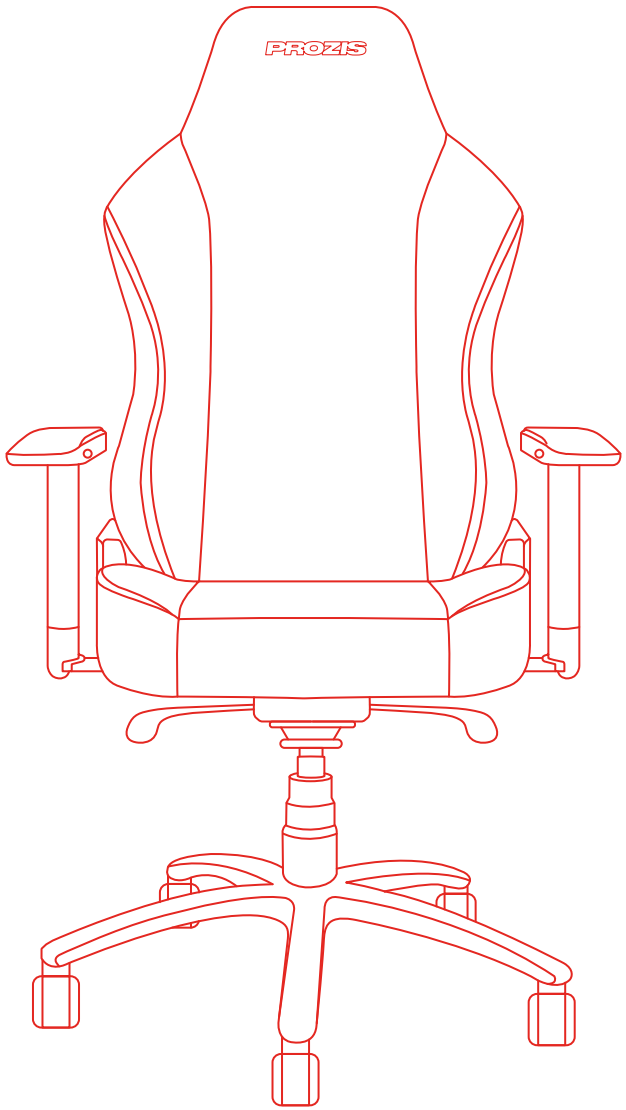
PROZIS

**GAMING
CHAIR**

STAY IN THE GAME

Improve yourself daily with the right support. Designed to help you exceed your limits, this chair was made to be the best support you can have when we talk about overcoming your most competitive challenges in a **comfortable** and **ergonomic** way.

It is **100% versatile** and can be used however you want – to work and for gaming, for example. Made with the best materials, resources and technologies, your daily missions will be beyond epic, will be legendary!



GET TO KNOW THE PERFECT MACHINE

Height

Total height that goes from 137 cm to 143 cm, depending on your needs, and a ground to chair height that varies between 45 cm to 51 cm.

Width

The chair total width is 76,5 cm and the arms are fully adjustable to go according to your demands.

Support

It has full back support (80 cm height), and head support of 23 cm width, so you can seat comfortable while defeating the enemies.

Suspension

The suspension mechanism is state of the art, adapting to you in every way.

Arms

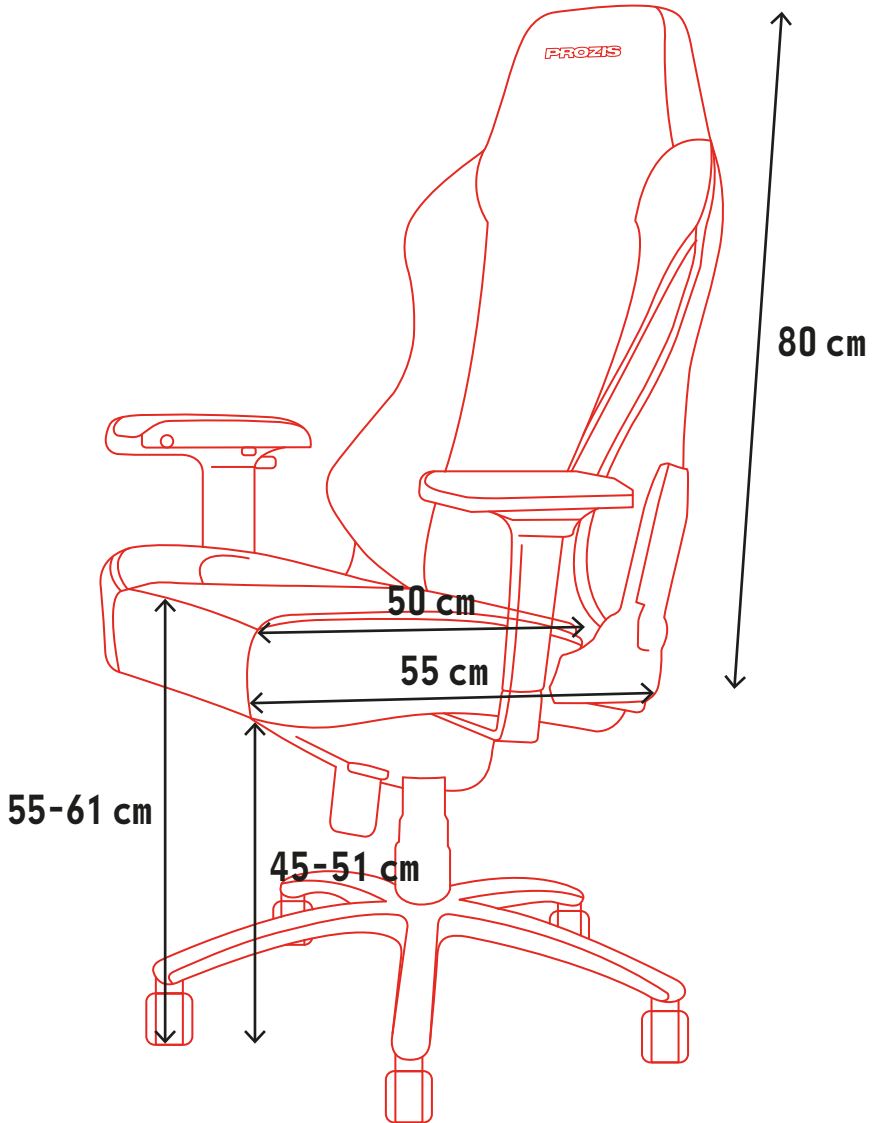
Versatile arms that easily adapt to you and your movements. They can be moved up and down and in and out, giving you more comfort and full support.

Seat

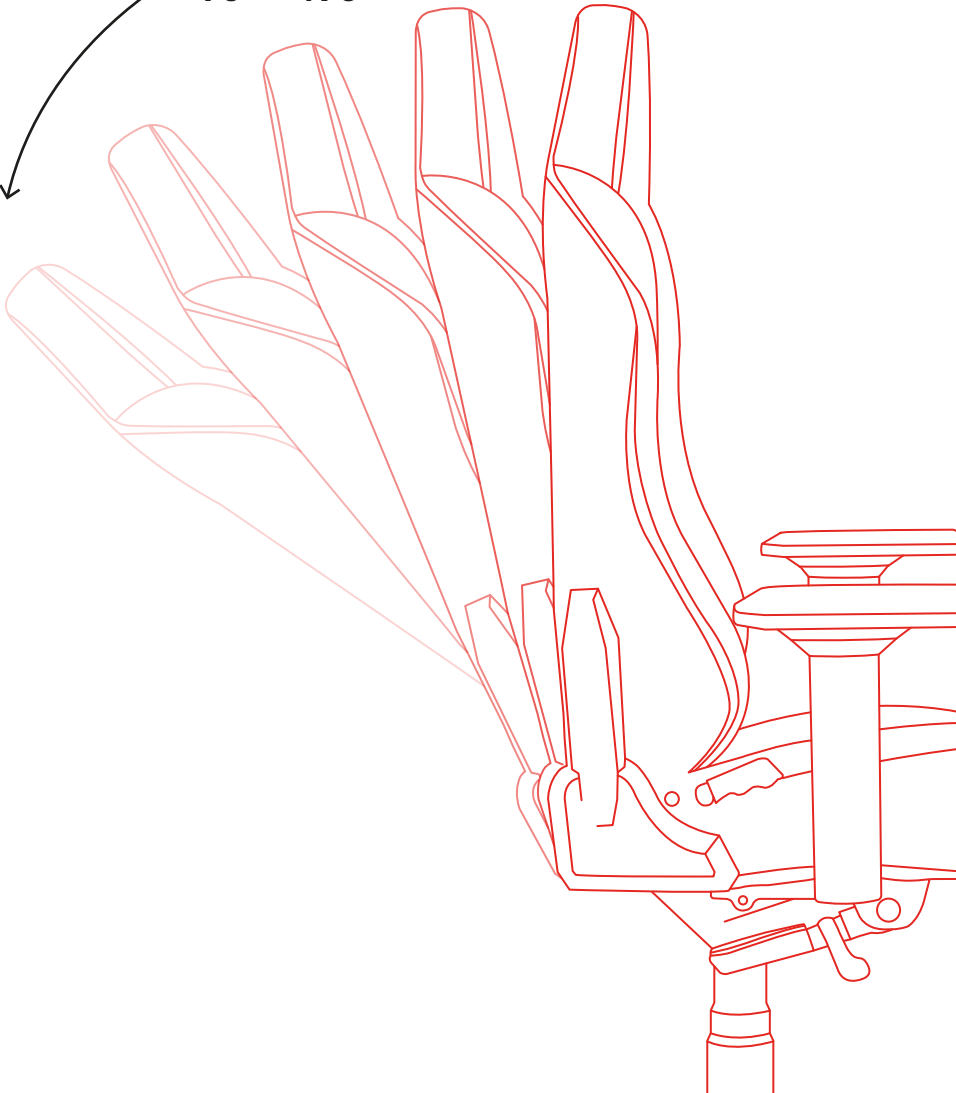
The seat is 50 cm length and has a variable depth that you can easily adjust from 50 cm to 55 cm. It also has the most comfy bottom pillow you have ever seen with 10 cm of thickness.

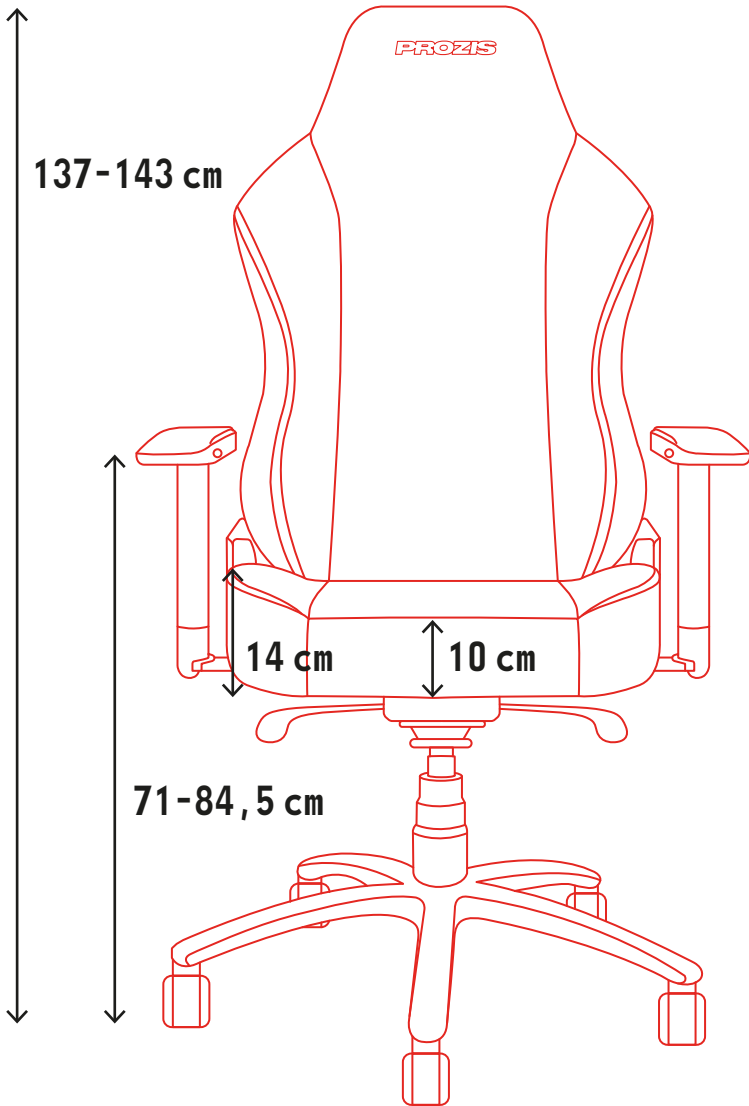
Feet

Five feet and wheels for optimum stability and mobility.



90° - 170°





23 cm



PROZIS

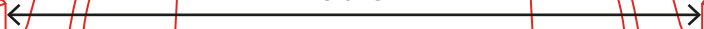
54 cm



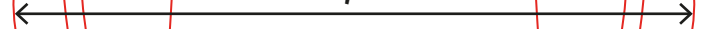
76,5 cm



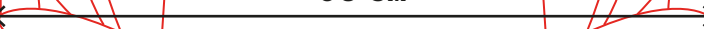
56 cm



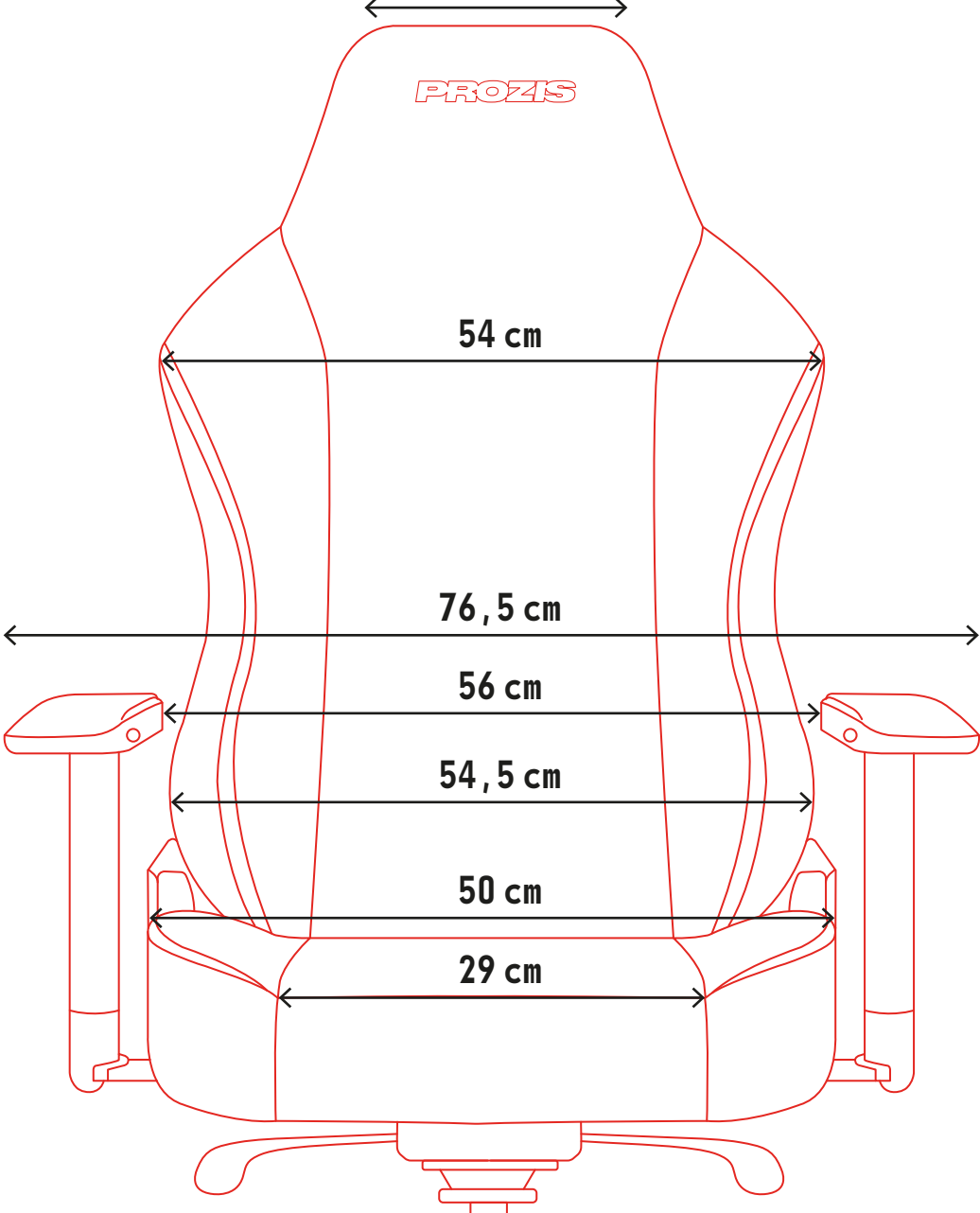
54,5 cm

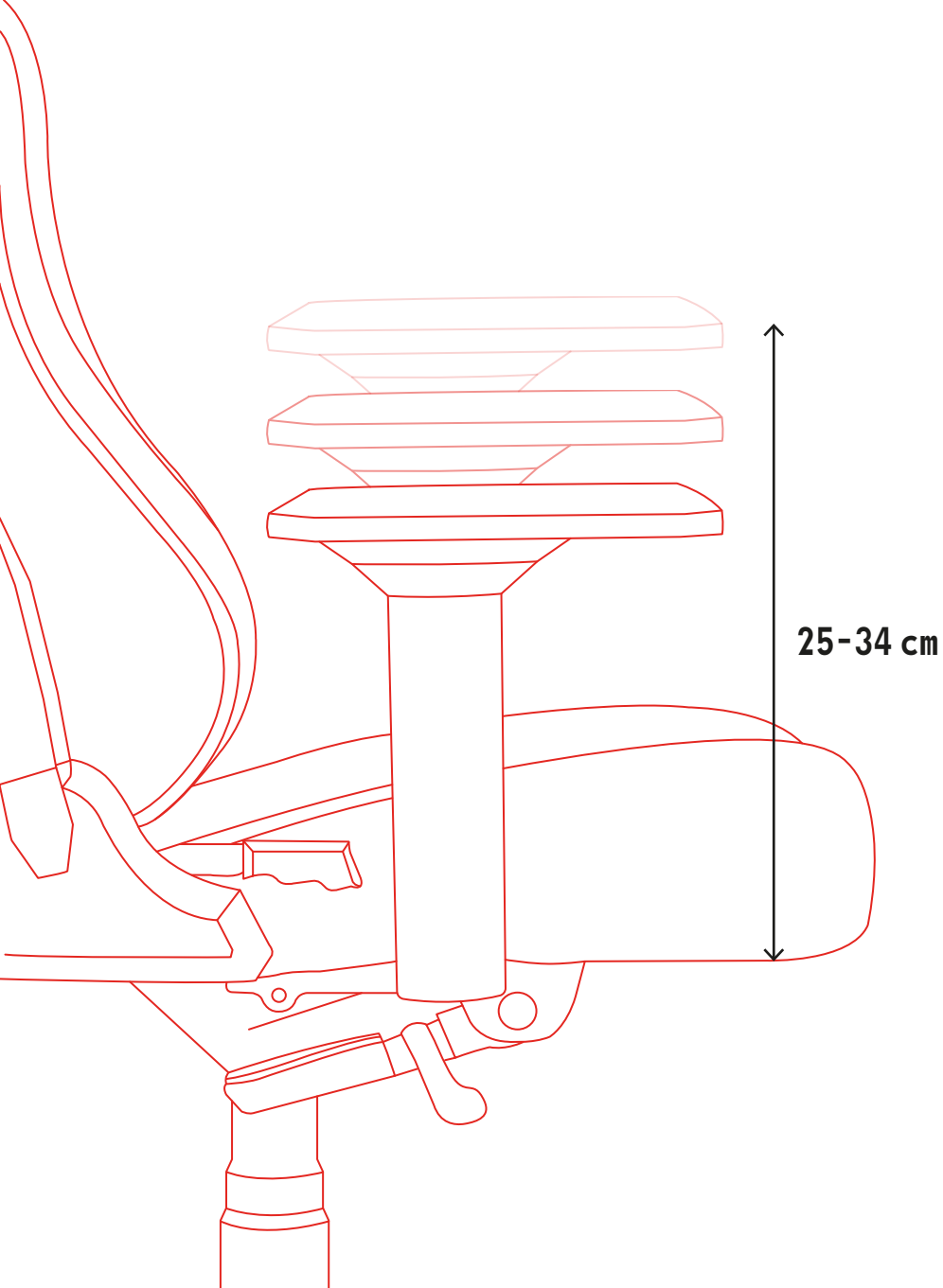


50 cm



29 cm





PROZIS

Zona Franca Industrial
Plat 28 - Pavilhão K - Mod 6
9200-047 Caniçal, Madeira