

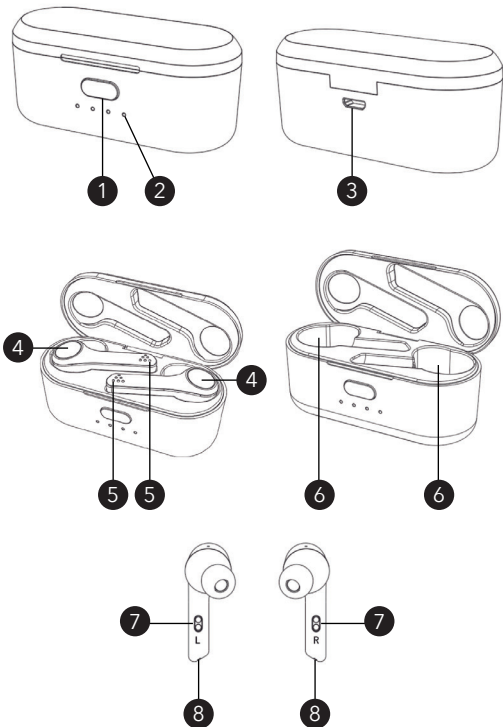
PROZIS

aria

soundpods

User manual
Warranty statement

V.2 01/2020



Language index

EN	3
FR	16
DE	30
IT	46
ES	56
PT	70

Prozis is a registered trademark of PROZIS.COM, S.A.

Prozis reserves the right to adjust or modify the product or any of the associated documentation in order to ensure its suitability for use, at any time and without prior notice.

The most recent version of this document, which may contain such adjustments or modifications, is available for reference at www.prozis.com.

Legal compliance statement

By means of this document, Prozis declares that the Airia Soundpods are fully compliant with all the standards specified in the applicable legislation as well as other relevant clauses.

Prozis will always be available for any additional explanation through our customer support communication channels, found at www.prozis.com/support.



To avoid any impact on the environment or human health due to dangerous substances present in electrical and electronic devices, the end users of such devices are expected to understand the meaning of the symbol consisting of a crossed-out waste container. Do not dispose of electrical and electronic equipment along with unsorted household waste, instead dispose of it separately and properly.



The packaging that protects the device against transport damage is made of non-polluting materials that can be disposed of via local recycle bins.

Safety warnings

**WARNING STATEMENT**

To prevent possible permanent hearing damage, do not listen at high volume for long periods of time.

**CAUTION!**

This symbol highlights dangerous situations that can lead to light injuries, or damage, malfunction, and/or destruction of the device.

- Do not leave the soundpods unattended during charging.
- When charging the device, ensure good ventilation and always place it on non-flammable surfaces. Do not use the soundpods while charging.
- Use only the supplied accessories and do not attempt to modify, assemble or disassemble the product in any way. Doing will void the warranty.
- Do not allow children or pets to play with the device. It is not a toy and contains small parts that may present a choking hazard.
- Do not use or charge the device during a thunderstorm.
- Never use the soundpods in situations that require your full attention, such as when driving or operating machinery.
- Do not use abrasive detergents nor chemical products to clean the soundpods.
- Protect the product from dirt, moisture and overheating, and only use it in a dry environment.

- Do not expose the device to direct sunlight or extreme temperatures (above 40°C/104°F).
- Do not drop the product and do not expose it to any major shocks. Press the device's buttons carefully.
- Do not continue to operate if it gets damaged.

MAINTENANCE AND CLEANING

- Switch off the soundpods and unplug all electric outlets before cleaning.
- To prevent possible damage, make sure no moisture enters the device while cleaning. Never use chemical products or aggressive detergents.

STORAGE

- Switch off the soundpods when not in use.
- Store the device in a dry environment, away from direct sunlight and humidity.
- Avoid storage at extreme temperatures (above 65°C/149°F or below -10°C/14°F).

User manual

PACKAGE CONTENTS

- 1 x Prozis Airia Soundpods (pair)
- 1 x Charging case
- 1 x USB charging cable
- 3 x Ear tips (S/M/L)
- 1 x User manual

TECHNICAL SPECIFICATIONS

- BT version: V5.0
- Support profile: HSP1.2, HFP1.7, A2DP1.3, AVRCP1.6, SPP1.2
- Wireless range: ≥ 10 m
- Pairing name: Prozis Airra
- Speaker diameter: 6 ± 1 mm
- Frequency response: 20 Hz - 20 kHz
- Li-battery: Soundpod 40 mAh x 2 | Charging case 400 mAh
- Playtime: 4 h 30 m*
- Charging time: 1 h 30 m
- Charger mode: 5 V - 500 mA
- IP Rating: IPX4

*Actual battery performance may vary based on settings, environment and usage.

PRODUCT DESCRIPTION (SEE PAGE 2)

1. Charging case button.

Press the button on the front of the case. The LED light indicators glow according to the battery level as follow:

- If all four indicators glow solid, the battery is fully charged.
 - If only one indicator is glowing, the battery is low and needs charging.
2. Charging case LED indicator light
 3. Micro USB port for charging
 4. Soundpod multi-function button
 5. Soundpod LED indicator light
 6. Soundpod storage location
 7. Soundpod charging pins
 8. Soundpod built-in microphone

OPERATING INSTRUCTIONS

Charging the Soundpods

1. Place the soundpods inside the case.
2. They will switch off automatically and start charging.
3. The LED indicator light will remain red while charging. It will turn off when the soundpods are fully charged. The charging process usually takes 2.5 hours.

Low battery alarm

When the battery is low (less than 10%) and its voltage is lower than 3.3 V, a prompt beeping sound will be played every 3 minutes and the red LED indicator light will flash 3 times every 3 minutes.

When the battery voltage is lower than 3.1 V, a prompt beeping sound will be played again and the BT connection will be automatically switched off.

Charging the Soundpod Case

1. Locate the connector on the case.
2. Use the Micro USB charging cable that comes with the device.
3. Plug the small end of the USB cable to the case and connect the large end to either a power USB port or to a USB power adapter that connects to a power outlet.
4. The battery charging indicator will flash while charging. When the case is fully charged, a solid white light will remain on.

Please note:

When stored for a long time, batteries should be charged regularly (at least once every 30 days).

HOW TO USE

POWER ON AND OFF	
Manual Power ON	Press and hold soundpod multi-function button for about 2 seconds. Once the soundpods have been switched on, a "Power on" message is heard, and the green LED indicator light will flash for 1 second.
Manual Power OFF	Press and hold both multi-function buttons for about 3 seconds. Once the soundpods have been switched off, a "Power off" message is heard, and the red LED indicator light will flash for 2 seconds.
Auto Power ON	The soundpods switch on automatically as soon as you take them out from the charging case. You will hear a "Power On" message and the green indicator light will flash for 1 second.
Auto Power OFF	The soundpods switch off automatically when placed back in the charging case. You will hear a "Power Off" message and the red indicator light will flash for 2 seconds
PAIRING	
Pairing the right and left soundpod	When you use the soundpods for the first time, follow the pairing procedure below: Place the soundpods inside the case, press and hold both multi-function buttons for about 4 seconds. A yellow light will flash and turn to red, which will indicate the soundpods are ready for use. The soundpods switch on automatically as soon as you take them out of the charging case, or you can also switch them on manually by pressing and holding both multi-function buttons for 2 seconds. The left and right soundpods are automatically paired after 20 seconds. The LED indicator light will flash red/green automatically.

Pairing with smartphone	Make sure the soundpods are switched off before starting pairing mode.
	Press and hold both multi-function buttons for about 4 seconds. The soundpods will be search for a BT connection.
	Turn on the BT settings on your smartphone and wait until Prozis Airia appears in the list of BT devices found.
	Select Prozis Airia and wait until the soundpods are listed as connected in the BT settings of your smartphone. Enter "0000" if PIN code is requested. Once the connection has been established, you will hear "Connected".
	If the connection attempt takes longer than 3 minutes to complete, the soundpods will switch off automatically.
Pairing with computer or other devices	Your should use a BT adapter if your computer does not support BT connection.
	Plug the BT adapter into the computer's USB port and make sure the BT function of the adapter is activated.
	Make sure the soundpods are off before initiating pairing mode.
	Press and hold both multi-function buttons for about 4 seconds. The soundpods will be searching for a BT connection.
	Open the BT software installed in your computer and select "Search for BT devices" (check the BT software user manual if needed) and wait until Prozis Airia appears in the list of BT devices found.
	Select Prozis Airia and wait until the soundpods are listed as connected in your computer's BT settings.
	Switch on the media player to play music, watch TV or movies, or play games.

Subsequent pairing	The soundpods switch on automatically when you take them out from the charging case, or you can also switch them on manually by pressing and holding both of the multi-function buttons for 2 seconds. After 20 seconds, the soundpods will automatically start pairing with the last paired device.
Clear the paired device list stored in the soundpods	Place back both left and right soundpods into the charging case. Press and hold both multi-function buttons for about 4 seconds. A yellow light will flash and turn to red, which will indicate the paired device list has been cleared.
PHONE CALL FUNCTIONS	
Answering a call	A beeping sound is played when receiving a call. To answer an incoming call, press the multi-function button once. You can use the soundpods as speakerphones.
Rejecting a call	To reject a call, press and hold the multi-function button for about 2 seconds. An audio sound is played when you reject a call.
Ending a call	To end a call, press the multi-function button once.
AUDIO PLAYBACK FUNCTIONS	
Play/Pause	To pause, press the multi-function button once. To resume playing, press the button once again. The green LED indicator light will flash once every 6 seconds.
Next/Previous track	To move to the next track, press the multi-function button twice quickly. To move to the previous track, press it three times quickly. The green LED indicator light will flash once every 6 seconds.
Voice assistant	Press and hold the multi-function button for about 1.5 seconds to switch the voice assistant on. Make sure the soundpods are paired with your smartphone before initiating voice assistant mode. An audio sound will be played when the voice assistant is switched on.

TROUBLESHOOTING

Some issues that may arise can be solved by the user. If the problem persists after having tried the following solutions, contact Prozis customer service.

TECHNICAL PROBLEM	CAUSE	SOLUTION
Right and left soundpods are not paired automatically when removed from the charging case.		Follow the instructions provided in the "Clear the paired device list stored in the soundpods" section. Switch the soundpods on manually by pressing and holding both multi-function buttons for 2 seconds. The left and right soundpod will pair automatically and the LED indicator light will flash red/green alternately. Follow the instructions provided in the "Pairing" section to pair the soundpods with your smartphone, computer or other device using BT.
There is no sound.	The volume of your connected device is set at a low level.	Adjust the volume level of the connected device (smartphone, computer, television etc.).

Warranty statement

All electrical and electronic products commercialized by Prozis via www.prozis.com are covered by the warranty applicable to the purchase and sale of consumer goods.

GENERAL CONSIDERATIONS

This document contains the terms and conditions of Prozis' warranty for final consumers.

This warranty is valid exclusively for consumers who purchase the product for non-professional purposes.

WARRANTY PERIOD

Prozis guarantees the product is to remain free from material and production defects for a 2-year period, counting from the date of initial purchase by a consumer and respective delivery, or for longer if legally established by the applicable national law.

In the event that repair is required, this 2-year period is suspended during repair time.

CONSUMABLES

The gradual performance decrease caused by prolonged use of the product's consumable components, such as batteries, is not covered by this warranty unless the malfunction is caused by faulty design, materials or production.

HOW TO MAKE A CLAIM

If the need arises to exercise the rights conceded to you through this warranty, please contact Prozis customer service via the communication channels provided on the Prozis website, and follow the provided instructions or recommendations. Contact and technical assistance information is also provided at the end of this warranty.

Any claims made regarding this warranty will only be valid if proof of purchase is presented by the original customer. This proof of purchase may be the original invoice or receipt, as long as it includes information regarding the date of purchase and the product's model name.

WARRANTY REPAIRS

Any repairs made under this warranty cannot be made by third parties. This warranty does not apply to any repairs, or damage caused directly by such repairs, that have impacted or caused the damage that is the subject of the respective warranty claim.

EXCLUSIONS

The following situations are not covered by this warranty:

1. Any wear and tear of parts and components resulting from normal product use.
2. Cracks, dents, scratches, and other types of superficial damage that only affect the product's appearance.
3. Any malfunction caused by inappropriate use of the product that does not comply with user manual instructions.
4. Use and storage of the product not complying with user manual instructions.
5. Opening of the product by a third party who is not authorized to proceed to its repair.
6. Altering or changing parts or components, whether internal or external.

7. Damage caused by battery leakage resulting from the breaking of any of its components, or from product misuse.
8. Malfunction or damage due to reasons that cannot be ascribed to the production or design of the product.
9. Use of the product in the context of a business, occupation or commerce.
10. Malfunction due to use that does not comply with the technical or security norms in force, or with user manual instructions.

The services provided by Prozis in order to repair or fix any fault or malfunction resulting from the verification of any of the aforementioned excluded situations will be subject to payment of labor, transport and component costs.

The customer shall bear all risks of loss and damage to the product during transportation to Prozis. This warranty will be void if the returned product arrives with labels or stickers that have been removed, damaged, tampered with or modified in any way.

LIMITED RESPONSIBILITY

Prozis cannot be held responsible for indirect damage or loss due to usage of the product.

WHAT TO DO?

To request warranty service, you must first contact Prozis customer service via the communication channels provided on the Prozis website, and follow the provided instructions and recommendations.

Send back the product inside its original packaging, including all accessories and documentation, to the following address:

PROZIS
Rua do Cais, n° 198
4830-345 Póvoa do Lanhoso
Braga - Portugal

CONTACTS

Prozis is always available for additional clarification through their customer service communication channel at www.prozis.com/support.

Prozis est une marque déposée de Prozis.com,S.A.

Prozis se réserve le droit, à tout moment et sans préavis, d'ajuster ou de modifier le produit ou toute documentation associée afin de s'assurer de l'adéquation pour l'utilisation prévue.

La version la plus récente du présent document, qui peut contenir de tels ajustements ou modifications, peut être consultée sur www.prozis.com.

Déclaration de conformité légale

Par le présent document, Prozis déclare que les Écouteurs sans Fil Airia sont entièrement conformes à toutes les normes spécifiées dans la législation applicable ainsi qu'aux autres clauses pertinentes.

Prozis sera toujours disponible pour toute explication supplémentaire par le biais des canaux de communication du service clients, disponibles sur www.prozis.com/support.



Afin d'éviter tout impact sur l'environnement ou la santé humaine en raison des substances dangereuses présentes dans les appareils électriques et électroniques, les utilisateurs finaux respectifs doivent comprendre la signification du symbole représentant une poubelle barrée. Ne pas jeter les appareils électriques et électroniques dans les ordures ménagères non triées, mais



plutôt séparément et de façon convenable.



L'emballage qui protège l'appareil contre les dommages dus au transport est constitué de matériaux non polluants qui peuvent être déposés dans des conteneurs de recyclage locaux.

Avertissements de sécurité



AVERTISSEMENT

Pour éviter d'éventuels dommages auditifs permanents, n'écoutez pas à volume élevé pendant de longues périodes de temps.



ATTENTION!

Ce symbole indique des situations dangereuses qui peuvent entraîner des blessures légères, des dommages, un dysfonctionnement et/ou la destruction de l'appareil.

- Ne laissez pas les écouteurs sans fil sans surveillance pendant le chargement.
- Lors du chargement de l'appareil, assurez une bonne ventilation et placez-le toujours sur des surfaces ininflammables. N'utilisez pas les écouteurs sans fil pendant le chargement.
- Utilisez uniquement les accessoires fournis et n'essayez pas de modifier, d'assembler ou de désassembler le produit de quelque façon que ce soit. Le non-respect de cette consigne entraînera l'annulation de la garantie.
- Ne laissez pas les enfants ou les animaux domestiques jouer avec l'appareil. Ce n'est pas un jouet, il contient de petites pièces qui peuvent présenter un risque d'étouffement.
- N'utilisez pas et ne chargez pas l'appareil pendant un orage.
- N'utilisez jamais les écouteurs sans fil dans des situations qui requièrent toute votre attention, par exemple lorsque vous conduisez ou utilisez des machines.

- N'utilisez pas de détergents abrasifs ni de produits chimiques pour nettoyer les écouteurs sans fil.
- Protégez le produit de la saleté, de l'humidité et de la surchauffe et utilisez-le uniquement dans un environnement sec.
- N'exposez pas l'appareil à la lumière directe du soleil ou à des températures extrêmes (supérieures à 40°C/104°F).
- Ne laissez pas tomber le produit et assurez-vous qu'il ne subit pas de chocs électriques importants. Appuyez avec précaution sur les boutons de l'appareil.
- Ne continuez pas à l'utiliser s'il est endommagé.

ENTRETIEN ET NETTOYAGE

- Éteignez les écouteurs sans fil et débranchez toutes les prises électriques avant de les nettoyer.
- Pour éviter d'éventuels dommages, assurez-vous qu'aucune humidité ne pénètre à l'intérieur de l'appareil pendant le nettoyage. N'utilisez jamais de produits chimiques ou de détergents agressifs.

STOCKAGE

- Éteignez les écouteurs sans fil lorsqu'ils ne sont pas utilisés.
- Stockez l'appareil dans un endroit sec, à l'abri de la lumière directe du soleil et de l'humidité.
- Évitez le stockage à des températures extrêmes (supérieures à 65°C/149°F ou inférieures à -10°C/14°F).

Manuel d'utilisation

CONTENU DE L'EMBALLAGE

- 1 x Écouteurs sans Fil Airia de Prozis (paire)
- 1 x Boîtier de chargement
- 1 x Câble de chargement USB
- 3 x Embouts auriculaires (S/M/L)
- 1 x Manuel d'utilisation

CARACTÉRISTIQUES TECHNIQUES

- Version BT : V5.0
- Profil de support : HSP1.2, HFP1.7, A2DP1.3, AVRCP1.6, SPP1.2
- Portée sans fil : 10 m
- Nom d'appairage : Prozis Airia
- Diamètre des écouteurs : 6±1 mm
- Réponse en fréquence : 20 Hz - 20 kHz
- Batterie li : Écouteur 40 mAh x 2 | Boîtier de chargement 400 mAh
- Temps de lecture : 4 h 30 m*
- Temps de chargement : 1 h 30 m
- Mode chargeur : 5 V - 500 mA
- Indice de protection: IPX4

*Les performances réelles de la batterie peuvent varier en fonction des paramètres, de l'environnement et de l'utilisation.

DESCRIPTION DU PRODUIT (VOIR PAGE 2) :

1. Bouton du boîtier de chargement

Appuyez sur le bouton situé à l'avant du boîtier. Les voyants LED s'allument en fonction du niveau de charge de la batterie :

- Si les quatre voyants s'allument, la batterie est complètement chargée.
- Si un seul voyant s'allume, la batterie est faible et doit être chargée.
- 2. Voyant LED du boîtier de chargement
- 3. Port Micro USB pour le chargement
- 4. Bouton multifonction de l'écouteurs sans fil
- 5. Voyant LED des écouteurs sans fil
- 6. Lieu de stockage des écouteurs sans fil
- 7. Broches de chargement des écouteurs sans fil
- 8. Microphone intégré des écouteurs sans fil rechargée

MODE D'EMPLOI

Mode d'emploi

1. Placez les écouteurs sans fil à l'intérieur du boîtier.
2. Ils s'arrêtent automatiquement et commencent à charger.
3. Le voyant LED reste rouge pendant le chargement. Il s'éteindra lorsque les écouteurs sans fil seront complètement chargés. Le processus de charge dure en général 2,5 heures.

Alarme de batterie faible

Lorsque la batterie est faible (moins de 10 %) et que sa tension est inférieure à 3,3 V, un bip sonore retentit toutes les 3 minutes et le voyant lumineux rouge clignote 3 fois toutes les 3 minutes.

Lorsque la tension de la batterie est inférieure à 3,1 V, un bip sonore retentit et la connexion BT est automatiquement désactivée.

Chargement du Boîtier des Écouteurs sans fil

1. Localisez le connecteur du boîtier.
2. Utilisez le câble de chargement Micro USB fourni avec l'appareil.

3. Branchez la petite extrémité du câble USB sur le boîtier et connectez la grande extrémité à un port USB d'alimentation ou à un adaptateur USB qui se branche sur une prise de courant.
4. Le voyant de charge de la batterie clignote pendant la charge. Une lumière blanche continue reste allumée lorsque le boîtier est complètement chargé.

Remarque:

En cas de stockage prolongé, les batteries doivent être rechargées régulièrement (au moins une fois tous les 30 jours).

MODE D'EMPLOI

ALLUMER ET ÉTEINDRE	
Allumer manuellement	Maintenez les deux boutons multifonctions des écouteurs sans fil enfoncés pendant environ 2 secondes. Une fois les écouteurs sans fil allumés, vous entendrez le message "Power on" et le voyant LED vert clignotera pendant 1 seconde.
Éteindre manuellement	Maintenez les deux boutons multifonctions enfoncés pendant environ 3 secondes. Une fois les écouteurs sans fil éteints, vous entendez le message "Power off" et le voyant LED rouge clignote pendant 2 secondes.
Allumer automatiquement	Les écouteurs sans fil s'allument automatiquement dès que vous les sortez du boîtier de chargement. Vous entendrez le message "Power On" et le voyant lumineux vert clignotera pendant 1 seconde.
Éteindre automatiquement	Les écouteurs sans fil s'éteignent automatiquement lorsqu'ils sont remis en place dans le boîtier de charge. Vous entendrez le message "Power Off" et le voyant lumineux rouge clignotera pendant 2 secondes.

APPAIRAGE	
Appairage des écouteurs sans fil droit et gauche	<p>Lorsque vous utilisez les écouteurs sans fil pour la première fois, suivez la procédure d'appairage ci-dessous : Placez les écouteurs sans fil à l'intérieur du boîtier, appuyez sur les deux boutons multifonctions et maintenez-les enfoncés pendant environ 4 secondes. Un voyant jaune clignotera et passera au rouge, ce qui indiquera que les écouteurs sans fil sont prêts à l'emploi.</p> <p>Les écouteurs sans fil s'allument automatiquement dès que vous les sortez du boîtier de chargement, ou vous pouvez également les allumer manuellement en appuyant sur les deux boutons multifonctions pendant 2 secondes.</p> <p>Les écouteurs sans fil gauche et droit sont automatiquement appairés après 20 secondes. Le voyant LED clignote automatiquement en rouge/vert.</p>
Appairage avec un smartphone	<p>Assurez-vous que les écouteurs sans fil soient éteints avant de commencer le mode d'appairage.</p> <p>Maintenez les deux boutons multifonctions enfoncés pendant environ 4 secondes. Les écouteurs sans fil vont rechercher une connexion BT.</p> <p>Allumez les paramètres BT sur votre smartphone et attendez que Prozis Airia apparaisse dans la liste des appareils BT trouvés.</p> <p>Sélectionnez Prozis Airia et attendez jusqu'à ce que les écouteurs sans fil soient répertoriés comme connectés dans les paramètres BT de votre smartphone. Entrer "0000" si un code PIN est demandé.</p> <p>Une fois la connexion établie, vous entendrez "Connected".</p> <p>Si la tentative de connexion dure plus de 3 minutes, les écouteurs sans fil s'éteignent automatiquement.</p>

Appairage avec un ordinateur ou d'autres appareils	<p>Vous devez utiliser un adaptateur BT à votre ordinateur ne prend pas en charge une connexion BT.</p> <p>Branchez l'adaptateur BT sur le port USB de l'ordinateur et assurez-vous que la fonction BT de l'adaptateur est activée.</p> <p>Assurez-vous que les écouteurs sans fil sont éteints avant de lancer le mode d'appairage.</p> <p>Maintenez les deux boutons multifonctions enfoncés pendant environ 4 secondes. Les écouteurs sans fil vont rechercher une connexion BT.</p> <p>Ouvrez le logiciel BT installé sur votre ordinateur et sélectionnez "Search for BT devices" (consultez le manuel d'utilisation du logiciel BT si nécessaire) et attendez que Prozis Airia apparaisse dans la liste des périphériques BT trouvés.</p> <p>Sélectionnez Prozis Airia et attendez jusqu'à ce que les écouteurs sans fil soient répertoriés comme connectés dans les paramètres BT de votre ordinateur.</p> <p>Allumez le lecteur multimédia pour écouter de la musique, regarder la télévision ou des films, ou jouer à des jeux.</p>
Appairage ultérieur	<p>Les écouteurs sans fil s'allument automatiquement lorsque vous les retirez du boîtier de chargement, ou vous pouvez également les allumer manuellement en appuyant sur les deux boutons multifonctions et en les maintenant enfoncés pendant 2 secondes. Après 20 secondes, les écouteurs sans fil commenceront automatiquement à s'appairer avec le dernier appareil appairé.</p>
Effacer la liste des périphériques appairés	<p>Remettez les deux écouteurs sans fil dans le boîtier de chargement. Appuyez sur les deux boutons Multifonctions et maintenez-les enfoncés pendant environ 4 secondes. Un voyant jaune clignote et devient rouge, ce qui indique que la liste des appareils appairés a été effacée.</p>

FONCTIONS D'APPEL TÉLÉPHONIQUE	
Répondre à un appel	Un bip sonore retentit lors de la réception d'un appel. Pour répondre à un appel entrant, appuyez une fois sur le bouton multifonction. Vous pouvez utiliser les écouteurs sans fil comme haut-parleurs.
Refuser un appel	Pour refuser un appel, appuyez sur le bouton multifonction et maintenez-le enfoncé pendant environ 2 secondes. Un son audio est émis lorsque vous refusez un appel.
Mettre fin à un appel	Pour mettre fin à un appel, appuyez une fois sur le bouton multifonction.
FONCTIONS DE LECTURE AUDIO	
Lecture/Pause	Pour mettre en pause, appuyez une fois sur le bouton multifonction. Pour reprendre la lecture, appuyez de nouveau sur le bouton. Le voyant LED vert clignote une fois toutes les 6 secondes.
Piste Précédente/ Suivante	Pour passer à la piste suivante, appuyez deux fois rapidement sur le bouton multifonction. Pour passer à la piste précédente, appuyez trois fois rapidement sur ce bouton. Le voyant LED vert clignote une fois toutes les 6 secondes.
Assistant vocal	Appuyez sur le bouton multifonction et maintenez-le enfoncé pendant environ 1,5 seconde pour activer l'assistant vocal. Assurez-vous que les écouteurs sans fil sont appairés avec votre smartphone avant d'activer le mode d'assistant vocal. Un son audio est émis lorsque l'assistant vocal est activé.

DÉPANNAGE

Certains problèmes qui peuvent survenir peuvent être résolus par l'utilisateur. Si le problème persiste après avoir essayé les solutions suivantes, veuillez contacter le service clients de Prozis.

PROBLÈME TECHNIQUE	CAUSE	SOLUTION
Les écouteurs sans fil droit et gauche ne sont pas appairés automatiquement lorsqu'ils sont retirés du boîtier de chargement.		<p>Suivez les instructions fournies dans la section "Effacer la liste des périphériques appairés stockés dans les écouteurs sans fil".</p> <p>Allumez les écouteurs sans fil manuellement en appuyant sur les deux boutons multifonctions et en les maintenant enfoncés pendant 2 secondes.</p> <p>Les écouteurs sans fil gauche et droit s'appairent automatiquement et le voyant LED clignote alternativement rouge/vert.</p> <p>Suivez les instructions fournies dans la section "Appairage" pour appairer les écouteurs sans fil avec votre smartphone, ordinateur ou autre appareil utilisant BT.</p>
Il n'y a pas de son.	Le volume de votre appareil connecté est réglé à un niveau bas.	Réglez le volume de l'appareil connecté (smartphone, ordinateur, télévision, etc.).

Déclaration de garantie

Tous les produits électriques et électroniques commercialisés par Prozis via www.prozis.com sont couverts par la garantie applicable à l'achat et à la vente de biens de consommation.

CONSIDÉRATIONS GÉNÉRALES

Ce document contient les conditions générales de la garantie de Prozis pour les consommateurs finaux.

Cette garantie s'applique exclusivement aux consommateurs qui achètent le produit à des fins non professionnelles.

PÉRIODE DE GARANTIE

Prozis garantit que le produit est exempt de défauts de matériel et de production pendant une période de 2 ans, à compter de la date d'achat initial par le consommateur et de la livraison respective, ou pendant une période plus longue si elle est légalement établie par la législation nationale applicable.

En cas de réparation, cette période de 2 ans est suspendue pendant la durée de la réparation.

CONSOMMABLES

La diminution progressive des performances causée par l'utilisation prolongée des composants consommables du produit, tels que les piles/batteries, n'est pas couverte par cette garantie, sauf si le dysfonctionnement est dû à un défaut de conception, de matériaux ou de production.

COMMENT FAIRE UNE RÉCLAMATION

En cas de besoin d'exercer les droits qui vous sont concédés par la présente garantie, veuillez communiquer avec le service clients de Prozis via les canaux de communication fournis sur le site de Prozis et suivre les instructions ou recommandations fournies. Les informations de contact et d'assistance technique sont également fournies à la fin de cette garantie.

Toute réclamation relative à cette garantie ne sera valable que sur présentation d'une preuve d'achat par le client d'origine. Cette preuve d'achat peut être l'original de la facture ou du reçu, pourvu qu'elle comprenne des renseignements sur la date d'achat et le nom du modèle du produit.

RÉPARATIONS SOUS GARANTIE

Toute réparation effectuée dans le cadre de cette garantie ne peut être effectuée par des tiers. Cette garantie ne s'applique pas aux réparations ou aux dommages causés directement par ces réparations, qui ont affecté ou causé les dommages faisant l'objet de la respective réclamation sous garantie.

EXCLUSIONS

Les situations suivantes ne sont pas couvertes par cette garantie :

1. Toute usure des pièces et composants résultant d'une utilisation normale du produit.
2. Fissures, bosses, éraflures et autres types de dommages superficiels qui n'affectent que l'apparence du produit.
3. Tout dysfonctionnement causé par une utilisation inappropriée du produit non conforme aux instructions du manuel d'utilisation.
4. Utilisation et stockage du produit non conformes aux instructions du manuel d'utilisation.
5. Ouverture du produit par un tiers qui n'est pas autorisé à procéder à sa réparation.

6. Modification ou changement de pièces ou de composants, qu'ils soient internes ou externes.
7. Dommages causés par une fuite de batterie résultant de la rupture de l'un de ses composants ou d'une mauvaise utilisation du produit.
8. Dysfonctionnement ou dommages dus à des raisons qui ne peuvent être imputées à la production ou à la conception du produit.
9. Utilisation du produit dans le contexte d'un business, d'une profession ou d'un commerce.
10. Dysfonctionnement dû à une utilisation non conforme aux normes techniques ou de sécurité en vigueur, ou aux instructions du manuel d'utilisation.

Les services fournis par Prozis afin de réparer ou dépanner tout défaut ou dysfonctionnement résultant de la vérification de l'une des situations exclues susmentionnées seront soumis au paiement de frais de main-d'œuvre, de transport et de composants.

Le client supporte tous les risques de perte et d'endommagement du produit pendant le transport vers Prozis. Cette garantie sera annulée si le produit retourné est accompagné d'étiquettes ou d'autocollants qui ont été enlevés, endommagés, altérés ou modifiés de quelque façon que ce soit.

RESPONSABILITÉ LIMITÉE

Prozis ne peut être tenue responsable des dommages indirects ou des pertes dues à l'utilisation du produit.

QUE FAIRE?

Pour demander le service de garantie, vous devez d'abord contacter le service clients de Prozis via les canaux de communication fournis sur le site de Prozis, et suivre les instructions et recommandations fournies.

Renvoyer le produit dans son emballage d'origine, y compris tous les accessoires et la documentation, à l'adresse suivante:

PROZIS
Rua do Cais, n° 198
4830-345 Póvoa do Lanhoso
Braga - Portugal

CONTACTS

Prozis est toujours disponible pour des éclaircissements supplémentaires via les canaux de communication du service clients sur www.prozis.com/support.

Prozis ist eine eingetragene Marke von PROZIS.COM, S.A.

Prozis behält sich das Recht vor, jederzeit und ohne Vorankündigung Anpassungen oder Veränderungen am Produkt oder der zugehörigen Dokumentation vorzunehmen, um die Gebrauchstauglichkeit zu garantieren.

Die aktuellste Version dieses Dokuments, die solche Anpassungen oder Veränderungen enthalten kann, steht als Referenz auf www.prozis.com zur Verfügung.

Erklärung zur Einhaltung der Rechtsvorschriften

Durch dieses Dokument erklärt Prozis, dass die Airia Soundpods den in der anwendbaren Rechtsvorschrift erklärten Standards, sowie anderen einschlägigen Bestimmungen in vollem Umfang entsprechen.

Prozis steht Ihnen jederzeit mittels unserer Kundenservice-Kommunikationskanäle unter www.prozis.com/support für weitergehende Erläuterungen zur Verfügung.



Um jeglichen Einfluss auf die Umwelt oder die menschliche Gesundheit aufgrund von in Elektro- oder Elektronikgeräten enthaltenen gefährlicher Substanzen zu vermeiden, sollte der Endverbraucher eines solchen



Gerätes verstanden haben, was das Symbol einer durchkreuzten Mülltonne bedeutet. Es bedeutet, dass Elektro- oder Elektronikzubehör nicht zusammen mit unsortiertem Müll entsorgt werden darf, sondern separat und ordnungsgemäß entsorgt werden muss.



Die Verpackung, die das Gerät vor Transportschäden schützt, ist aus umweltfreundlichen Materialien hergestellt, die in lokalen Recyclingtonnen entsorgt werden können.

Sicherheitswarnungen



WARNUNG

Um mögliche Hörschäden zu vermeiden, sollten Sie die Kopfhörer nicht über längere Zeit bei hoher Lautstärke benutzen.



ACHTUNG!

Dieses Symbol weist auf gefährliche Situationen hin, die zu leichten Verletzungen oder Schäden, Fehlfunktionen und / oder zur Zerstörung des Geräts führen können.

- Lassen Sie die Soundpods beim Aufladen nicht unbeaufsichtigt.
- Beim Aufladen der Soundpods sollte auf eine gute Durchlüftung geachtet werden, und das Gerät sollte immer auf nicht entzündliche Oberflächen gelegt werden. Die Soundpods nicht verwenden, während sie geladen werden.
- Verwenden Sie ausschließlich das mitgelieferte Zubehör und versuchen Sie nicht das Produkt auf irgendeine Weise zu modifizieren, zusammen- oder auseinanderzubauen. Dadurch wird die Garantie nichtig.
- Erlauben Sie Kindern oder Haustieren nicht mit diesem Gerät zu spielen. Es handelt sich nicht um ein Spielzeug und enthält kleine Teile, die eine Erstickungsgefahr darstellen können.
- Verwenden oder laden Sie das Gerät nicht während eines Gewitters.
- Verwenden Sie die Soundpods niemals in Situationen, die Ihre vollständige Aufmerksamkeit benötigen, wie Autofahren oder das Bedienen von Maschinen.

- Verwenden Sie zur Reinigung der Soundpods keine aggressiven Reinigungsmittel oder chemischen Produkte, um die Soundpods zu reinigen.
- Schützen Sie das Produkt vor Schmutz, Feuchtigkeit und Überhitzung und verwenden Sie es nur in einer trockenen Umgebung.
- Schützen Sie das Gerät vor direkter Sonneneinstrahlung oder extremen Temperaturen (über 40°C/104°F).
- Lassen Sie das Produkt nicht fallen und achten Sie darauf, dass es keinen Stromschlägen ausgesetzt wird. Drücken Sie die Knöpfe vorsichtig.
- Verwenden Sie das Gerät nicht, wenn es beschädigt ist.

WARTUNG UND REINIGUNG

- Schalten Sie die Soundpods aus und trennen Sie alle elektrischen Anschlüsse vor der Reinigung.
- Um mögliche Schäden zu vermeiden, achten Sie darauf, dass bei der Reinigung keine Feuchtigkeit in das Gerät gelangt. Verwenden Sie niemals chemische Produkte oder aggressive Reinigungsmittel.

AUFBEWAHRUNG

- Schalten Sie die Soundpods aus, wenn sie nicht verwendet werden.
- Lagern Sie das Gerät in einer trockenen Umgebung, fern von direktem Sonnenlicht und Feuchtigkeit.
- Lagern Sie das Gerät nicht an einen Ort mit extremen Temperaturen (über 65°C/149°F oder unter -10°C/14°F).

Bedienungsanleitung

VERPACKUNGSMATERIAL

- 1 x Prozis Airia Soundpods (Paar)
- 1 x Ladeetui
- 1 x USB-Ladekabel
- 3 x Ohrstöpsel (S/M/L)
- 1 x Bedienungsanleitung

TECHNISCHE DATEN

- BT-Version: V5.0
- Unterstützt HSP1.2, HFP1.7, A2DP1.3, AVRCP1.6, SPP1.2
- Wireless-Reichweite: 10 m
- Kopplungsname: Prozis Airia
- Lautsprecher-Durchmesser: 6±1 mm
- Frequenzgang: 20 Hz - 20 kHz
- Lithium-Ionen Akku: Ohrhörer 40 mAh x 2 | Ladeetui 400 mAh
- Betriebszeit: 4 h 30 m*
- Ladedauer: 1 h 30 m
- Ladegerät: 5 V - 500 mA
- IP-Schutzart: IPX4

*Tatsächliche Akkuleistung kann je nach Konfiguration, Umgebung und Gebrauch variieren.

PRODUKTBESCHREIBUNG (SIEHE SEITE 2):

1. Ladeetui-Knopf

Drücken Sie den Knopf an der Vorderseite des Ladeetuis. Die LED-Anzeigelampen leuchten gemäß dem Akkustand auf:

- Wenn alle Anzeigelampe leuchten, ist der Akku vollständig geladen.

- Wenn nur eine Anzeigelampe leuchtet, ist der Akkustand niedrig und der Akku muss aufgeladen werden.

2. LED-Anzeigelampe des Ladeetui
3. Micro-USB-Anschluss zum Aufladen
4. Soundpod-Multifunktionsknopf
5. Soundpod-LED Anzeigelampe
6. Soundpod-Aufbewahrungsort
7. Soundpod-Ladestifte
8. In den Soundpod eingebautes Mikrofon

BEDIENUNGSANLEITUNG

Aufladen des Soundpods

1. Stecken Sie die Soundpods in das Etui.
2. Sie schalten sich automatisch aus und das Aufladen beginnt.
3. Während des Ladevorgangs leuchtet die LED-Anzeigelampe rot. Sie schaltet sich aus, wenn die Soundpods vollständig aufgeladen sind. Der Ladevorgang dauert normalerweise 2,5 Stunden.

Alarm bei niedrigem Akkustand

Wenn der Akkustand niedrig ist (weniger als 10%) und wenn die Spannung niedriger als 3,3 V ist, ertönt alle 3 Minuten ein kurzer Piepton und die rote LED-Anzeigelampe blinkt ebenfalls alle 3 Minuten drei Mal.

Wenn die Akkuspannung niedriger als 3,1 V ist, ertönt ein kurzer Piepton und die BT-Verbindung wird automatisch getrennt.

Aufladen des Soundpod-Etuis

1. Suchen Sie den Anschluss am Etui.
2. Verwenden Sie das mitgelieferte Micro-USB-Ladekabel.
3. Stecken Sie das kleine Ende des USB-Kabels in das Etui und verbinden Sie das große Ende entweder mit einem USB-Stromanschluss oder mit einem USB-Netzteil, das anschließend an eine Steckdose angeschlossen wird.

4. Beim Aufladen blinkt die Akku-Anzeige. Ein weißes Licht bleibt an, wenn das Etui vollständig aufgeladen ist.

Bitte beachten Sie:

Wenn das Gerät länger nicht benutzt wird, sollte der Akku regelmäßig aufgeladen werden (mindestens einmal alle 30 Tage).

GEBRAUCHSANWEISUNGEN

EIN- UND AUSSCHALTEN	
Manuelles EINSCHALTEN	Drücken und halten Sie beide Soundpod-Multifunktionsknöpfe etwa 2 Sekunden lang gedrückt. Sobald die Soundpods eingeschaltet sind, wird die Benachrichtigung „Power on“ ertönen und die grüne LED-Anzeigelampe leuchtet 1 Sekunde lang.
Manuelles AUSSCHALTEN	Drücken und halten Sie beide Multifunktionsknöpfe etwa 3 Sekunden gedrückt. Sobald die Soundpods ausgeschaltet wurden, wird die Benachrichtigung „Power off“ ertönen und die rote LED-Anzeigelampe blinkt 2 Sekunden lang.
Automatisches EINSCHALTEN	Die Soundpods schalten sich automatisch ein, sobald Sie sie aus dem Ladeetui herausnehmen. Es ertönt die Benachrichtigung „Power On“ und die grüne Anzeigelampe leuchtet 1 Sekunde lang auf.
Automatisches AUSSCHALTEN	Die Soundpods schalten sich automatisch aus, wenn sie zurück in das Ladeetui gelegt werden. Es ertönt die Benachrichtigung „Power Off“ und die rote Anzeigelampe blinkt 2 Sekunden lang.

KOPPLUNG	
Kopplung des rechten und linken Soundpods	<p>Wenn Sie die Soundpods das erste Mal verwenden, befolgen Sie die das unten genannte Kopplungsverfahren: Stecken Sie die Soundpods ins Etui und halten beide Multifunktionsknöpfe etwa 4 Sekunden lang gedrückt. Ein gelbes Licht blinkt auf und wird rot, was anzeigt, dass die Soundpods betriebsbereit sind.</p> <p>Die Soundpods schalten sich automatisch ein, sobald sie aus dem Ladeetui herausgenommen werden. Sie können sie jedoch auch manuell einschalten, indem Sie beide Multifunktionsknöpfe etwa 2 Sekunden gedrückt halten.</p> <p>Der linke und rechte Soundpod wird automatisch nach 20 Sekunden gekoppelt. Die LED-Anzeigelampe blinkt automatisch rot/grün.</p>
Mit einem Handy koppeln	<p>Achten Sie darauf, dass die Soundpods ausgeschaltet sind, bevor Sie den Kopplungsmodus starten.</p> <p>Drücken und halten Sie beide Multifunktionsknöpfe etwa 4 Sekunden lang gedrückt. Die Soundpods suchen nach einer BT-Verbindung.</p> <p>Schalten Sie die BT-Einstellungen auf Ihrem Handy ein und warten Sie, bis Prozis Airia in Ihrer Liste der gefundenen BT-Geräte erscheint.</p> <p>Wählen Sie Prozis Airia und warten Sie, bis die Soundpods in den BT-Einstellungen Ihres Handys als Gekoppelt auftauchen. Geben Sie „0000“ ein, falls ein PIN-Code verlangt wird.</p> <p>Sobald die Verbindung aufgebaut wurde, werden Sie „Connected“ hören.</p> <p>Falls der Verbindungsversuch länger als 3 Minuten dauert, schalten sich die Soundpods automatisch aus.</p>

Kopplung mit einem Computer oder anderen Geräten	Sie sollten einen BT-Adapter verwenden, falls Ihr Computer keine BT-Verbindung unterstützt.
	Stecken Sie den BT-Adapter in den USB-Anschluss Ihres Computers und achten Sie darauf, dass die BT-Funktion des Adapters aktiv ist.
	Achten Sie darauf, dass die Soundpods ausgeschaltet sind, bevor Sie den Kopplungsmodus starten.
	Drücken und halten Sie beide Multifunktionsknöpfe etwa 4 Sekunden lang gedrückt. Die Soundpods suchen nach einer BT-Verbindung.
Nachfolgendes Koppeln	Öffnen Sie die BT-Software, die auf Ihrem Computer installiert ist und wählen Sie „Nach BT-Geräten suchen“ (sehen Sie ggf. in der Bedienungsanleitung der BT-Software nach) und warten Sie, bis die Prozis Airia in der Liste der gefundenen BT-Geräte auftaucht.
	Wählen Sie die Prozis Airia und warten Sie, bis die Soundpods in der Liste Ihrer BT-Einstellungen auftauchen.
	Schalten Sie den Mediaplayer ein, um Musik abzuspielen, TV oder Filme anzusehen oder Spiele zu spielen.
Löschen der Liste gekoppelter Geräte in den Soundpods	Platzieren Sie den linken und rechten Soundpod zurück in das Ladeetui. Drücken und halten Sie den Multifunktionsknopf etwa 4 Sekunden lang gedrückt. Zunächst wird ein gelbes Licht aufleuchten und dann zu rot wechseln, was anzeigt, dass die Liste der gekoppelten Geräte gelöscht wurde.

ANRUFFUNKTIONEN	
Anrufe entgegennehmen	Beim Erhalt eines Anruf wird ein Piepton abgespielt. Um den eingehenden Anruf entgegenzunehmen, drücken Sie den Multifunktionsknopf einmal. Sie können die Soundpods als Freisprecheinrichtung verwenden.
Anrufe ablehnen	Um einen Anruf abzulehnen, drücken und halten Sie den Multifunktionsknopf etwa 2 Sekunden lang gedrückt. Ein Audiosignal ertönt, wenn der Anruf abgelehnt wurde.
Anrufe beenden	Um einen Anruf zu beenden, drücken Sie den Multifunktionsknopf einmal.
AUDIO-WIEDERGABEFUNKTIONEN	
Wiedergabe/ Pause	Um die Wiedergabe zu pausieren, drücken Sie den Multifunktionsknopf einmal. Um die Wiedergabe fortzusetzen, drücken Sie den Knopf erneut. Die grüne LED-Anzeigelampe blinkt einmal alle 6 Sekunden.
Nächster/ Vorheriger Titel	Um zum nächsten Titel zu springen, drücken Sie den Multifunktionsknopf rasch zweimal. Um zum vorherigen Titel zu springen, drücken Sie den Knopf rasch dreimal. Die grüne LED-Anzeigelampe blinkt einmal alle 6 Sekunden.
Sprachassistenten	Drücken und halten Sie den Multifunktionsknopf etwa 1,5 Sekunden lang gedrückt, um den Sprachassistenten einzuschalten. Achten Sie darauf, dass die Soundpods mit Ihrem Handy verbunden sind, bevor Sie den Sprachassistentenmodus starten. Ein Audiosignal ertönt, wenn der Sprachassistent eingeschaltet ist.

FEHLERBEHEBUNG

Manche eventuell auftretenden Probleme können vom Benutzer behoben werden. Falls das Problem nach Anwendung der folgenden Lösungsvorschläge weiterhin besteht, kontaktieren Sie bitte den Prozis Kundenservice.

TECHNISCHES PROBLEM	URSACHE	LÖSUNG
Rechter und linker Soundpod werden nicht automatisch gekoppelt, wenn sie aus dem Ladeetui herausgenommen werden.		<p>Folgen Sie den in „Löschen der Liste gekoppelter Geräte in den Soundpods“ gegebenen Anweisungen.</p> <p>Schalten Sie die Soundpods manuell ein, indem Sie beide Multifunktionsknöpfe drücken und 2 Sekunden lang gedrückt halten.</p> <p>Der linke und rechte Soundpod wird automatisch gekoppelt und das LED-Anzeigelicht leuchtet abwechselnd rot/grün auf.</p> <p>Befolgen Sie die in „Kopplung“ gegebenen Anweisungen, um die Soundpods mit Ihrem Handy, Computer oder mit einem anderen Gerät via BT zu koppeln.</p>
Es gibt keinen Ton.	Die Lautstärke des verbundenen Geräts ist zu niedrig eingestellt.	Regeln Sie die Lautstärke des verbundenen Geräts (Handy, PC, TV etc.).

Gewährleistungsbestimmung

Alle elektrischen und elektronischen Produkte, die von Prozis via www.prozis.com vermarktet werden, fallen unter die Gewährleistung, die auf Verbrauchergeschäfte Anwendung findet.

ALLGEMEINES

Dieses Dokument enthält die Bedingungen der Gewährleistung von Prozis für Endkunden.

Diese Gewährleistung gilt ausschließlich für Kunden, die Produkte für nichtgewerbliche Zwecke kaufen.

LAUFZEIT DER GEWÄHRLEISTUNG

Prozis garantiert, dass ein Produkt 2 Jahre lang keine Material- und Herstellungsmängeln vorweist. Die Laufzeit beginnt ab dem Kaufdatum des Kunden und die jeweilige Zustellung, kann aber auch länger gelten, falls dies gesetzlich durch das anwendbare nationale Recht festgelegt wurde.

Im Fall, dass eine Reparatur nötig ist, wird die 2-Jahre-Laufzeit während der Reparaturzeit suspendiert.

VERBRAUCHSMATERIALIEN

Eine allmähliche Leistungsabnahme als Resultat eines längeren Gebrauchs der Verbrauchsmaterialien des Produktes, wie beispielsweise Akkus, wird nicht durch die Gewährleistung abgedeckt, es sei denn, die Fehlfunktion wurde durch einen Fehler in der Konstruktion, der Materialien oder der Herstellung verursacht.

WIE WERDEN ANSPRÜCHE GELTEND GEMACHT

Wenn es nötig ist, die durch diese Gewährleistung erteilten Rechte wahrzunehmen, kontaktieren Sie bitte den Prozis Kundenservice durch die auf der Prozis-Webseite zur Verfügung stehenden Kommunikationskanäle und folgen Sie den dort stehenden Anweisungen oder Empfehlungen. Kontaktinformationen und Informationen zum technischen Support stehen ebenfalls am Ende dieser Gewährleistung.

Jegliche Ansprüche, die bezüglich dieser Gewährleistung geltend gemacht werden, werden erst gültig, wenn der Kaufbeleg durch den ursprünglichen Kunden präsentiert wird. Dieser Kaufbeweis kann die originale Rechnung oder Quittung sein, solange es die Informationen bezüglich des Kaufdatums und des Namens des Produktmodells enthält.

GEWÄHRLEISTUNGSREPARATUREN

Jegliche Reparaturen, die im Rahmen dieser Gewährleistung getätigt wurden, können nicht durch Dritte gemacht werden. Von jeglicher Gewährleistung ausgeschlossen sind Reparaturen oder Schäden, die Resultat aus solchen Reparaturen durch Dritte und durch Dritte beeinflusst oder verursacht wurden.

AUSNAHMEN

Folgende Situationen werden von jeglicher Gewährleistung ausgeschlossen:

1. Jegliche Verschleißerscheinungen von Teilen und Bestandteilen, die durch die normale Produktverwendung entstehen.
2. Risse, Dellen, Kratzer und andere Arten von Oberflächenschäden, die nur das Aussehen des Produktes beeinträchtigen.
3. Jegliche Fehlfunktion, die durch die unsachgemäße Produktverwendung, d.h. die den Anweisungen der Bedienungsanleitung nicht entspricht, entsteht.
4. Wenn die Verwendung und Aufbewahrung des Produktes nicht den Anweisungen der Bedienungsanleitung entspricht.
5. Die Öffnung des Produkts durch eine dritte Partei, die nicht autorisiert ist, diese Reparatur zu tätigen.
6. Das Bearbeiten oder Ändern von Teilen oder Komponenten, seien sie von Innen oder von Außen.
7. Durch auslaufende Batterieflüssigkeit verursachte Schäden, die wiederum durch materielle Schäden an den Komponenten oder durch den Missbrauch des Produktes entstanden sind.
8. Eine Fehlfunktion oder ein Schaden, der nicht auf die Herstellung oder das Design des Produktes zurückgeführt werden kann.
9. Die Verwendung des Produktes im Rahmen einer Geschäftstätigkeit, einer Beschäftigung oder eines Handels.
10. Eine Fehlfunktion aus Gründen, die nicht den geltenden technischen Normen oder Sicherheitsnormen, oder nicht den Anweisungen der Bedienungsanleitung entsprechen.

Treten diese oben genannten Situationen ein, fallen für die durch Prozis gebotenen Dienste zum Reparieren von Defekten oder Fehlfunktionen, und die Kosten für die Reparaturarbeiten, den Transport und Ersatzteile werden dem Kunden in Rechnung gestellt.

Der Kunde trägt alle Risiken für den Verlust und die Schädigung des Produktes im Laufe des Transportes zu Prozis. Der Gewährleistungsanspruch erlischt, falls das Produkt mit Etiketten oder Aufklebern abgegeben wird, die entfernt, geschädigt, geändert oder auf sonstige Weise modifiziert wurden.

BESCHRÄNKTE HAFTUNG

Prozis kann nicht für die indirekte Schädigung oder den Verlust durch die Verwendung des Produktes verantwortlich gemacht werden.

WAS MUSS GEMACHT WERDEN?

Um die Gewährleistungsansprüche gelten zu machen, sollten Sie zuerst den Prozis Kundenservice, durch die auf der Webseite von Prozis zur Verfügung stehenden Kommunikationskanäle, kontaktieren und allen zur Verfügung stehenden Anweisungen und Empfehlungen folgen.

Senden Sie das Produkt in der Originalverpackung, inklusive dem ganzen Zubehör und den Unterlagen, an die folgende Adresse zurück:

PROZIS
Rua do Cais, n° 198
4830-345 Póvoa do Lanhoso
Braga - Portugal

KONTAKTE

Der Prozis-Kundenservice steht Ihnen jederzeit für weitere Erläuterungen durch die auf der Webseite stehenden Kommunikationskanäle www.prozis.com/support zur Verfügung.

Prozis è un marchio registrato di PROZIS.COM, S.A.

Prozis si riserva il diritto di adeguare o alterare il prodotto o qualsiasi documento ad esso legato al fine di assicurarne l'idoneità di utilizzo, in qualsiasi momento e senza avviso previso.

La versione più recente di questo documento, che può contenere tali adeguamenti o alterazioni, è disponibile come riferimento sul sito www.prozis.com.

Dichiarazione di conformità legale

Mediante questo documento, Prozis dichiara che i Soundpod Airia sono pienamente conformi agli standard specificati nella legislazione in vigore ed anche ad altre clausole rilevanti.

Prozis è sempre disponibile per qualsiasi ulteriore chiarimento attraverso i canali di comunicazione con l'Assistenza Clienti, al sito www.prozis.com/support.



Per evitare qualsiasi conseguenza sull'ambiente o sulla propria salute causata dalle sostanze presenti nei dispositivi elettrici ed elettronici, l'utente finale di tali dispositivi deve comprendere appieno il significato del simbolo del contenitore per rifiuti barrato con una croce. Non gettare l'apparecchiatura elettrica ed elettronica insieme ai rifiuti indifferenziati. Gettare separatamente e nei contenitori corretti.



L'imballaggio che protegge il dispositivo contro i possibili danni causati durante il trasporto è realizzato con materiale non inquinante, che può essere smaltito negli appositi contenitori locali.

Avvertenze di sicurezza



AVVERTENZA

Per prevenire possibili danni all'udito, non utilizzare ad alto volume per periodi prolungati.



ATTENZIONE!

Questo simbolo indica situazioni pericolose che potrebbero causare leggere ferite, o danneggiamento, malfunzionamento e/o distruzione del dispositivo.

- Non lasciare i soundpod incustoditi durante la carica.
- Durante la carica del dispositivo, assicurare una buona ventilazione e tenerlo lontano da superfici infiammabili. Non usare i soundpod durante la carica.
- Utilizzare solo gli accessori inclusi e non tentare di modificare, montare o smontare il prodotto in nessun modo o la garanzia sarà nulla.
- Tenere fuori dalla portata dei bambini e degli animali. Non è un giocattolo e contiene piccole parti che possono presentare un rischio di soffocamento.
- Non utilizzare e non ricaricare il dispositivo durante un temporale.
- Non utilizzare i soundpod in situazioni che richiedono totale attenzione, come durante la guida o l'utilizzo di macchinari.
- Non usare detergenti aggressivi né prodotti chimici per pulire i soundpod.

- Proteggere l'apparecchio da sporco, umidità e surriscaldamento e utilizzarlo solo in un ambiente asciutto.
- Non esporre il dispositivo alla luce diretta del sole o a temperature estreme (superiore a 40°C).
- Non lasciare cadere il dispositivo e assicurarsi che non venga sottoposto a shock elettrici. Premere con cautela i tasti del dispositivo.
- In caso di danneggiamento, sospendere l'utilizzo.

MANUTENZIONE E PULIZIA

- Spegnerne i soundpod e scollegare tutte le prese elettriche prima della pulizia.
- Per evitare possibili danni, assicurarsi che non entri umidità nel dispositivo durante la pulizia. Non usare mai prodotti chimici o detergenti aggressivi.

CONSERVAZIONE

- Spegnerne i soundpod quando non in uso.
- Conservare il dispositivo in un luogo asciutto, al riparo dall'umidità e dalla luce diretta del sole.
- Evitare di conservare il dispositivo in condizioni di temperature estreme (più di 65°C o sotto i -10°C).

Manuale utente

MANUALE UTENTE

- 1 x Prozis Airia Soundpod (paio)
- 1 x Custodia di ricarica
- 1 x Cavetto di ricarica USB
- 3 x Auricolari (S/M/L)
- 1 x Manuale utente

SPECIFICHE TECNICHE

- Versione BT: V5.0
- Profilo di supporto: HSP1.2, HFP1.7, A2DP1.3, AVRCP1.6, SPP1.2
- Raggio wireless: 10 m
- Nome nella sincronizzazione: Prozis Airia
- Diametro cassa: 6±1 mm
- Risposta di frequenza: 20 Hz - 20 kHz
- Batteria al litio: auricolare 40 mAh x 2 | Custodia per la ricarica 400 mAh
- Tempo di riproduzione: 4 h 30 m*
- Tempo di ricarica: 1 h 30 m
- Modalità del caricatore: 5 V - 500 mA
- Rating IP: IPX4

*La prestazione effettiva della batteria può variare a seconda delle impostazioni, dell'ambiente e dell'utilizzo.

DESCRIZIONE DEL PRODOTTO (VEDERE PAG. 2)

1. Tasto della custodia di ricarica

Premere il tasto sulla parte anteriore della custodia. Le luci LED si illuminano a seconda del livello di carica della batteria:

- Se le quattro luci si illuminano contemporaneamente, la batteria è completamente carica.

- Se solo una luce si illumina, la batteria è scarica e deve essere ricaricata.

2. Luce LED della custodia di ricarica
3. Porta Micro USB per la ricarica
4. Tasto multifunzione dei soundpod
5. Luce LED dei soundpod
6. Luogo di conservazione dei soundpod
7. Spine di ricarica dei soundpod
8. Microfono incorporato dei soundpod

ISTRUZIONI DELLE FUNZIONI

Ricaricare i soundpod

1. Mettere i soundpod nella custodia.
2. Si spengono automaticamente e iniziano a caricarsi.
3. La luce LED rimane rossa durante la ricarica. Si spegne quando i soundpod sono completamente carichi. La ricarica dura normalmente 2,5 ore.

Segnale di batteria scarica

Quando la batteria è scarica (meno del 10%) e il voltaggio è di 3,3 V, un bip immediato viene emesso ogni 3 minuti e la luce LED si illumina 3 volte ogni 3 minuti.

Quando il voltaggio della batteria è minore di 3,1 V, un bip immediato viene emesso e la connessione BT viene abbandonata automaticamente.

Caricare la custodia dei soundpod

1. Trovare il connettore della custodia.
2. Utilizzare il cavetto Micro USB compreso nella confezione.
3. Collegare la parte più piccola del cavetto USB alla custodia e

collegare la parte più grande a una porta USB di alimentazione oppure a un adattatore USB che può essere collegato a una presa di alimentazione.

4. L'indicatore di carica della batteria si illumina durante la ricarica. Una luce bianca rimane accesa quando la custodia è stata completamente caricata.

Nota bene:

Anche se il dispositivo non viene utilizzato per molto tempo, le batterie devono essere ricaricate regolarmente (almeno una volta ogni 30 giorni).

ISTRUZIONI PER L'USO

ON E OFF	
ON manuale	Tenere premuti insieme i tasti multifunzione dei soundpod per circa 2 secondi. Quando i soundpod vengono accesi, viene emesso il segnale vocale "Power on" e la luce LED verde si illumina per 1 secondo.
OFF manuale	Tenere premuti insieme i tasti multifunzione per circa 3 secondi. Quando i soundpod vengono spenti, viene emesso il segnale vocale "Power off" e la luce LED rossa si illumina per 2 secondi.
ON automatico	I soundpod si accendono automaticamente non appena vengono tolti dalla custodia di ricarica. Viene emesso il segnale vocale "Power on" e la luce LED verde si illumina per 1 secondo.
OFF automatico	I soundpod si spengono automaticamente non appena vengono collocati nella custodia di ricarica. Viene emesso il segnale vocale "Power off" e la luce LED rossa si illumina per 2 secondi.

SINCRONIZZAZIONE

Sincronizzazione fra soundpod destro e sinistro	<p>Al primo utilizzo dei soundpod, si prega di seguire la seguente procedura di sincronizzazione: Collocare i soundpod all'interno della custodia, tenere premuto il tasto multifunzione per circa 4 secondi. Una luce gialla si accende e diventa rossa, indicando che i soundpod sono pronti per essere utilizzati.</p> <p>I soundpod si accendono automaticamente non appena vengono tolti dalla custodia di ricarica, oppure possono essere accesi manualmente tenendo premuto il tasto multifunzione per 2 secondi.</p> <p>I soundpod destro e sinistro vengono sincronizzati automaticamente dopo 20 secondi. La luce LED si illumina automaticamente in rosso e verde.</p>
Sincronizzazione con uno smartphone	<p>Assicurarsi che i soundpod siano spenti prima di iniziare il processo di sincronizzazione.</p> <p>Tenere premuto il tasto multifunzione per circa 4 secondi. I soundpod ricercano la connessione BT.</p> <p>Attivare le impostazioni BT dello smartphone e attendere che appaia nella lista BT il dispositivo "Prozis Airia".</p> <p>Selezionare "Prozis Airia" e attendere che i soundpod nella lista BT siano connessi allo smartphone. Inserire "0000" in caso venga richiesto un codice PIN.</p> <p>Quando la connessione viene stabilita, viene emesso il segnale vocale "Connected".</p> <p>Se la connessione richiede più di 3 minuti per il completamento, i soundpod si spengono automaticamente.</p>

Sincronizzazione con un computer o altri dispositivi	Utilizzare un adattatore BT se il computer non supporta la connessione BT.
	Inserire l'adattatore BT nella porta USB del computer e assicurare che la funzione BT dell'adattatore sia attivata.
	Assicurarsi che i soundpod siano spenti prima di iniziare il processo di sincronizzazione.
	Tenere premuti contemporaneamente i tasti multifunzione per circa 4 secondi. I soundpod cercano la connessione BT.
	Aprire il software BT installato sul computer e selezionare "Ricerca dispositivi BT" (verificare il manuale utente del software BT se necessario) e attendere di vedere "Prozis Airia" nella lista dei dispositivi BT trovati.
	Selezionare "Prozis Airia" e attendere che i soundpod siano connessi nelle impostazioni BT del computer.
	Accendere il riproduttore multimediale per riprodurre musica, guardare la TV e i film, e per giocare.
Sincronizzazioni successive	I soundpod si accendono automaticamente non appena vengono tolti dalla custodia di ricarica, oppure possono essere accesi manualmente tenendo premuto il tasto multifunzione per 2 secondi. Dopo 20 secondi i soundpod iniziano a sincronizzarsi automaticamente con l'ultimo dispositivo sincronizzato.
Resettare la lista dei dispositivi sincronizzati presenti nei soundpod	Collocare nuovamente i soundpod destro e sinistro nella custodia di ricarica. Tenere premuti entrambi i tasti multifunzione per circa 4 secondi. La luce si illumina di giallo, poi diventa rossa e significa che la lista dei dispositivi sincronizzati è stata resettata.
FUNZIONI DELLE CHIAMATE	
Rispondere a una chiamata	Un bip viene emesso quando si riceve una chiamata. Per rispondere a una chiamata in entrata, premere una volta il tasto multifunzione. I soundpod possono essere utilizzati come vivavoce.

Rifiutare una chiamata	Per rifiutare una chiamata, tenere premuto il tasto multifunzione per circa 2 secondi. Un suono viene emesso quando viene rifiutata una chiamata.
Terminare una chiamata	Per terminare una chiamata, premere una volta il tasto multifunzione.
FUNZIONI DI RIPRODUZIONE AUDIO	
Play/Pausa	Per mettere in pausa, premere una volta il tasto multifunzione. Per tornare alla riproduzione, premere una volta il tasto multifunzione. La luce LED verde si illumina una volta per 6 secondi.
Traccia seguente/ precedente	Per passare alla traccia successiva, premere rapidamente due volte il tasto multifunzione. Per tornare alla traccia precedente, premerlo rapidamente tre volte. La luce LED verde si illumina una volta ogni 6 secondi.
Assistenza vocale	Tenere premuto il tasto multifunzione per circa 1,5 secondi per attivare l'assistenza vocale. Assicurarsi che i soundpod siano sincronizzati prima di iniziare il procedimento di assistenza vocale. Un suono viene riprodotto quando l'assistenza vocale è attiva.

RISOLUZIONE DEI PROBLEMI

Alcune difficoltà in cui il cliente può incorrere, possono essere risolte dallo stesso. Se il problema persiste dopo aver applicato i seguenti consigli, preghiamo di contattare l'Assistenza Clienti di Prozis.

PROBLEMA TECNICO	CAUSA	SOLUZIONE
La sincronizzazione automatica dei soundpod non è avvenuta quando sono stati tolti dalla custodia di ricarica.		Seguire le istruzioni nella sezione "Pulizia della lista dei dispositivi sincronizzati presenti nei soundpod".
		Accendere manualmente i soundpod tenendo premuti entrambi i tasti multifunzione per 2 secondi.
		Il soundpod sinistro e destro si sincronizzano automaticamente e la luce LED si illumina alternativamente in rosso e verde.
Non viene emesso alcun suono.	Il volume del dispositivo connesso è troppo basso.	Seguire le istruzioni indicate nella sezione "Sincronizzazione" per connettere i soundpod allo smartphone, al computer o a un altro dispositivo usando il BT.
		Regolare il volume del dispositivo connesso (smartphone, computer, televisore, ecc.).

Dichiarazione di garanzia

Tutte le apparecchiature elettriche ed elettroniche vendute da Prozis sul sito www.prozis.com sono coperte da garanzia applicabile agli acquisti e alle vendite di beni di consumo.

CONSIDERAZIONI GENERALI

Questo documento contiene i termini e le condizioni della garanzia di Prozis per il consumatore finale.

Questa garanzia è valida esclusivamente per il consumatore che acquista prodotti per un uso non professionale.

PERIODO DI GARANZIA

Prozis garantisce che le apparecchiature rimangano senza difetti, del materiale e del prodotto stesso, per un periodo di 2 anni a partire dalla data iniziale dell'acquisto da parte del consumatore e della relativa consegna, o per un tempo maggiore, se legalmente stabilito dalla normativa nazionale applicabile.

In caso di riparazione, il periodo di 2 anni è sospeso durante il tempo richiesto dalla riparazione.

BENI DI CONSUMO

La graduale diminuzione delle prestazioni, causata dall'uso prolungato delle componenti deteriorabili, come le batterie, non è coperta da questa garanzia, a meno che il malfunzionamento non sia causato da un difetto di design, materiale o produzione.

COME EFFETTUARE UN RECLAMO

In caso esista il motivo per esercitare il diritto concesso al consumatore da questa garanzia, preghiamo di contattare l'Assistenza Clienti di Prozis attraverso i canali presenti sul sito di Prozis e di seguire le istruzioni e i consigli riportati. I contatti e le informazioni per l'assistenza tecnica si trovano anche alla fine di questa garanzia.

Qualsiasi reclamo effettuato in relazione a questa garanzia sarà valido solo su presentazione di una prova di acquisto da parte del cliente originale. Questa prova può essere la fattura o ricevuta originale, premesso che presenti le informazioni relative alla data dell'acquisto e al nome del modello del prodotto.

RIPARAZIONI IN GARANZIA

Qualsiasi riparazione nell'ambito della presente garanzia non può essere effettuata da terzi. Questa garanzia non si applica a nessun tipo di riparazione o danno causato direttamente da tali riparazioni, che abbiano avuto un impatto o abbiano causato i danni che costituiscono l'oggetto del corrispondente reclamo di garanzia.

ECCEZIONI

Le situazioni seguenti non sono coperte dalla presente garanzia:

1. Qualsiasi usura a parti e componenti che risulti dal normale utilizzo del dispositivo.
2. Crepe, ammaccature, graffi, e altri tipi di danni superficiali che riguardano solo l'aspetto del prodotto.
3. Qualsiasi malfunzionamento causato da utilizzo inappropriato che non rispetta le istruzioni del manuale d'uso.
4. Utilizzo e conservazione del prodotto che non rispetta le istruzioni del manuale d'uso.
5. Apertura del prodotto da terzi non autorizzati a procedere alla riparazione.
6. Alterazione o modifica di parti o componenti, sia interne che esterne.
7. Danni causati da perdite della batteria, provocate da un guasto di una sua qualsiasi componente, oppure da uso improprio del prodotto.
8. Malfunzionamenti o danni causati da situazioni non ascrivibili alla produzione o all'ideazione dell'apparecchiatura.
9. Uso del prodotto in contesti aziendali, professionali o commerciali.
10. Malfunzionamento causato da utilizzo che non rispetta la normativa tecnica e di sicurezza in vigore.

I servizi forniti da Prozis con il fine di riparare o aggiustare qualsiasi tipo di difetto o malfunzionamento derivante da una delle situazioni eccezionali sopracitate, saranno soggetti al pagamento di manodopera, trasporto e costi della componente.

Il cliente deve supportare tutti i rischi di perdita e danno al prodotto durante il trasporto verso la Prozis. Questa garanzia è nulla se l'apparecchiatura restituita non riporta correttamente l'etichetta o l'adesivo, perché rimossi, danneggiati, manomessi o modificati in qualsiasi modo.

RESPONSABILITÀ LIMITATA

Prozis non può ritenersi responsabile per danni o perdita indiretti, dovuti all'uso del prodotto.

COSA FARE?

Al fine di richiedere un servizio di garanzia, il cliente dovrà contattare prima di tutto l'Assistenza Clienti di Prozis attraverso i canali presenti sul sito di Prozis e seguire le istruzioni e i consigli riportati.

Restituire il prodotto all'interno della scatola originale, inclusi tutti gli accessori e i documenti presenti al suo interno, all'indirizzo seguente:

PROZIS
Rua do Cais, n.º 198
4830-345 Póvoa do Lanhoso
Braga - Portugal

CONTATTI

Prozis è sempre disponibile per ulteriori chiarimenti. Contatta l'Assistenza Clienti all'indirizzo: www.prozis.com/support.

Prozis es una marca registrada de Prozis.com, S.A.

Prozis se reserva el derecho de ajustar o modificar el producto o cualquiera de los documentos relacionados con el mismo a fin de asegurar su idoneidad para el uso, en cualquier momento y sin previo aviso.

La versión más reciente del presente documento, que puede incluir los ajustes o modificaciones anteriormente mencionados, está disponible para consulta en www.prozis.com.

Declaración de cumplimiento normativo

Mediante el presente documento, Prozis declara que los Auriculares inalámbricos Airia cumplen con todos los requisitos especificados en la legislación vigente, así como en otras disposiciones pertinentes.

Para cualquier información adicional, Prozis estará siempre a su disposición a través de nuestros canales de comunicación del servicio de atención al cliente, disponibles en www.prozis.com/support.



A fin de evitar cualquier impacto sobre el medio ambiente o la salud humana debido a sustancias peligrosas presentes en dispositivos eléctricos y electrónicos, los usuarios finales de dichos dispositivos deben comprender el significado del símbolo que consiste en un contenedor de basura tachado con una X. No deseche aparatos eléctricos y electrónicos con la basura doméstica.



Deposítelos en el contenedor de reciclaje correspondiente.



El embalaje que protege el dispositivo contra daños en el transporte está fabricado con materiales no contaminantes que pueden desecharse en contenedores de reciclaje locales.

Advertencias de seguridad



DECLARACIÓN DE ADVERTENCIA

Para evitar posibles lesiones auditivas irreversibles, no utilice el dispositivo a un volumen excesivo durante períodos prolongados.



¡ATENCIÓN!

Este símbolo identifica situaciones peligrosas que pueden provocar lesiones leves, daños, avería y/o destrucción del dispositivo.

- No deje los auriculares inalámbricos sin supervisión durante la carga.
- Asegúrese de cargar los auriculares inalámbricos en un ambiente bien ventilado y nunca los coloque en superficies inflamables. No utilice los auriculares inalámbricos mientras se cargan.
- Utilice solo los accesorios suministrados y no intente modificar, montar ni desmontar el producto de ninguna manera. Esto anularía la garantía.
- No permita que los niños ni las mascotas jueguen con los auriculares inalámbricos. Estos auriculares inalámbricos no son un juguete. Contienen piezas pequeñas que podrían causar asfixia.
- No utilice ni cargue los auriculares inalámbricos durante una tormenta.

- No utilice los auriculares inalámbricos en situaciones que requieran un alto nivel de atención, como conducir u operar maquinaria.
- No utilice detergentes abrasivos ni productos químicos para limpiar los auriculares inalámbricos.
- Proteja los auriculares inalámbricos de suciedad, humedad y sobrecalentamiento. Utilícelos solo en ambientes secos.
- No exponga los auriculares inalámbricos a la luz solar directa ni a temperaturas elevadas (por encima de 40 °C).
- No deje caer los auriculares inalámbricos y protéjalos contra descargas eléctricas. Pulse los botones de los auriculares inalámbricos con cuidado.
- Deje de utilizar los auriculares inalámbricos si están dañados.

MANTENIMIENTO Y LIMPIEZA

- Apague los auriculares inalámbricos y desenchúfelos de la toma eléctrica antes de limpiarlos.
- Para evitar posibles averías, asegúrese de que no entre humedad en los auriculares inalámbricos mientras los limpia. Nunca utilice productos químicos ni detergentes agresivos.

ALMACENAMIENTO

- Apague los auriculares inalámbricos cuando no estén en uso.
- Guarde los auriculares inalámbricos en un ambiente seco, lejos de la luz solar directa y la humedad.
- No exponga los auriculares inalámbricos a temperaturas elevadas (por encima de 65 °C o por debajo de -10 °C).

Manual de usuario

CONTENIDO DEL PAQUETE

- 1 x Auriculares inalámbricos Airia de Prozis (par)
- 1 x Estuche de carga
- 1 x Cable de carga USB
- 3 x Almohadillas (S/M/L)
- 1 x Manual de usuario

ESPECIFICACIONES TÉCNICAS

- Versión BT: V5.0
- Perfiles compatibles: HSP1.2, HFP1.7, A2DP1.3, AVRCP1.6, SPP1.2
- Alcance inalámbrico: 10 m
- Nombre para conexión: Prozis Airia
- Diámetro del altavoz: 6±1 mm
- Respuesta de frecuencia: 20 Hz - 20 kHz
- Batería de litio: Auricular 40 mAh x 2 | Estuche de carga 400 mAh
- Autonomía: 4 h 30 m*
- Tiempo de carga: 1 h 30 m
- Modo de carga: 5 V - 500 mA
- Clasificación IP: IPX4

*El rendimiento real de la batería puede variar en función de los ajustes, las condiciones ambientales y el uso.

DESCRIPCIÓN DEL PRODUCTO (VÉASE PÁGINA 2):

1. Botón del estuche de carga

Pulse el botón situado en la parte delantera del estuche. Los indicadores luminosos LED se iluminarán según el nivel de la batería:

- Si los cuatro indicadores están encendidos, la batería está completamente cargada.
 - Si solo uno de los indicadores está encendido, el nivel de la batería es bajo y necesita cargarse.
2. Indicador luminoso LED del estuche de carga
 3. Puerto de carga micro-USB
 4. Botón multifunción
 5. Indicador luminoso LED
 6. Lugar de almacenamiento
 7. Patillas de carga
 8. Micrófono incorporado

INSTRUCCIONES DE USO

Cargar los auriculares inalámbricos

1. Coloque los auriculares inalámbricos dentro del estuche.
2. Se apagarán automáticamente y empezarán a cargarse.
3. El indicador luminoso LED se iluminará en rojo durante la carga. Se apagará cuando los auriculares inalámbricos estén completamente cargados. La batería tarda aproximadamente 2,5 horas en cargarse completamente.

Aviso de batería baja

Cuando el nivel de la batería sea bajo (menos del 10%) y su voltaje sea inferior a 3,3 V, el dispositivo emitirá un breve aviso sonoro cada 3 minutos y el indicador luminoso LED parpadeará en rojo 3 veces cada 3 minutos.

Cuando el voltaje de la batería sea inferior a 3,1 V, el dispositivo emitirá un breve aviso sonoro y la conexión BT se desactivará automáticamente.

Cargar el estuche de los auriculares inalámbricos

1. Localice el conector del estuche.
2. Utilice el cable de carga micro-USB suministrado.
3. Conecte el extremo pequeño del cable USB al estuche y el extremo mayor a un puerto USB o a un adaptador USB conectado a una toma de corriente.
4. El indicador de carga de la batería parpadeará durante la carga. El indicador luminoso se mantendrá encendido en color blanco cuando el estuche esté completamente cargado.

Nota:

Si no utiliza los auriculares inalámbricos durante un largo período de tiempo, asegúrese de cargar la batería regularmente (por lo menos cada 30 días).

INSTRUCCIONES DE USO

ENCENDER Y APAGAR	
Encendido manual	Mantenga pulsados los dos botones multifunción de los auriculares inalámbricos durante aproximadamente 2 segundos. Cuando el dispositivo esté encendido, sonará el aviso "Power on" (Encendido) y el indicador luminoso LED parpadeará en verde durante 1 segundo.
Apagado manual	Mantenga pulsados los dos botones multifunción durante aproximadamente 3 segundos. Cuando los auriculares inalámbricos se apaguen, sonará el aviso "Power off" (Apagado) y el indicador luminoso LED parpadeará en rojo durante 2 segundos.
Encendido automático	Los auriculares inalámbricos se encienden automáticamente al retirarlos del estuche de carga. Sonará el aviso "Power on" (Encendido) y el indicador luminoso LED parpadeará en verde durante 1 segundo.

Apagado automático	Los auriculares inalámbricos se apagan automáticamente al colocarlos otra vez en el estuche de carga. Sonará el aviso "Power off" (Apagado) y el indicador luminoso LED parpadeará en rojo durante 2 segundos.
CONEXIÓN	
Conectar el auricular derecho con el izquierdo	Al utilizar los auriculares inalámbricos por primera vez, siga los siguientes pasos: Coloque los auriculares inalámbricos dentro del estuche. Mantenga pulsados los dos botones multifunción durante aproximadamente 4 segundos. El indicador LED parpadeará en amarillo y luego en rojo, indicando que el dispositivo está listo para usarse. Los auriculares inalámbricos se encienden automáticamente al retirarlos del estuche de carga. También puede encenderlos manualmente manteniendo pulsados los dos botones multifunción durante 2 segundos. Los auriculares inalámbricos izquierdo y derecho se conectarán automáticamente después de 20 segundos. El indicador luminoso LED parpadeará en rojo/verde automáticamente.
Conexión con un teléfono inteligente	Asegúrese de que los auriculares inalámbricos estén apagados antes de establecer la conexión. Mantenga pulsados los dos botones multifunción durante aproximadamente 4 segundos. Los auriculares inalámbricos realizarán una búsqueda para encontrar dispositivos BT. Active la función BT de su teléfono inteligente y espere hasta que el dispositivo "Prozis Airia" aparezca en la lista de dispositivos BT encontrados. Seleccione "Prozis Airia" y espere hasta que los auriculares inalámbricos aparezcan como conectados en la lista de dispositivos de su teléfono inteligente. Introduzca los dígitos "0000" si su dispositivo solicita un código PIN. Una vez establecida la conexión, sonará el aviso "Connected" (Conectado). Si el intento de conexión tarda más de 3 minutos en completarse, los auriculares inalámbricos se apagarán automáticamente.

Conexión con un ordenador u otros dispositivos	Deberá utilizar un adaptador BT si su ordenador no dispone de función BT.
	Conecte el adaptador BT al puerto USB del ordenador y asegúrese de que la función BT del adaptador esté activada.
	Asegúrese de que los auriculares inalámbricos estén apagados antes de establecer la conexión.
	Mantenga pulsados los dos botones multifunción durante aproximadamente 4 segundos. Los auriculares inalámbricos realizarán una búsqueda para encontrar dispositivos BT.
	Abra el software de BT instalado en su ordenador y seleccione "Search for BT devices" (Buscar dispositivos BT) (consulte el manual de usuario del software BT si es necesario) y espere hasta que el dispositivo "Prozis Airia" aparezca en la lista de dispositivos BT encontrados.
Conexión posterior	Seleccione "Prozis Airia" y espere hasta que los auriculares inalámbricos aparezcan como conectados en los ajustes BT de su ordenador.
	Encienda el reproductor multimedia para reproducir audio, ver televisión o películas, o jugar.
	Los auriculares inalámbricos se encienden automáticamente al retirarlos del estuche de carga. También puede encenderlos manualmente manteniendo pulsados los dos botones multifunción durante 2 segundos. Después de 20 segundos, los auriculares inalámbricos se conectarán automáticamente al último dispositivo con el que estuvieron conectados.
Eliminar la lista de dispositivos conectados	Vuelva a poner los auriculares izquierdo y derecho en el estuche de carga. Mantenga pulsados los dos botones multifunción durante aproximadamente 4 segundos. El indicador luminoso se iluminará en amarillo y se volverá rojo para indicar que se ha eliminado la lista de dispositivos conectados.

CONTROL DE LLAMADAS	
Responder una llamada	El dispositivo emitirá un aviso sonoro si recibe una llamada. Para contestar, presione el botón multifunción una vez. Puede utilizar los auriculares inalámbricos como altavoz manos libres.
Rechazar una llamada	Para rechazar una llamada, mantenga pulsado el botón multifunción durante aproximadamente 2 segundos. El dispositivo emitirá un aviso sonoro al rechazar una llamada.
Colgar una llamada	Para colgar una llamada, pulse el botón multifunción una vez.
CONTROL DE REPRODUCCIÓN DE AUDIO	
Reproducir/ Poner en pausa	Para pausar la reproducción de audio, pulse el botón multifunción una vez. Para reanudar la reproducción, vuelva a pulsar este botón. El indicador luminoso LED parpadeará en verde una vez cada 6 segundos.
Saltar hacia adelante/atrás	Para saltar hacia adelante, pulse rápidamente el botón multifunción dos veces. Para saltar hacia atrás, pulse rápidamente el botón multifunción tres veces. El indicador luminoso LED parpadeará en verde una vez cada 6 segundos.
Asistente de voz	Mantenga pulsado el botón multifunción durante aproximadamente 1,5 segundos para activar el asistente de voz. Asegúrese de que los auriculares inalámbricos estén conectados a su teléfono inteligente antes de activar el modo de asistente de voz. El dispositivo emitirá un aviso sonoro cuando el asistente de voz esté activado.

RESOLUCIÓN DE PROBLEMAS

El usuario puede solucionar algunos problemas. Si el problema persiste después de llevar a cabo las siguientes soluciones, póngase en contacto con el servicio de atención al cliente de Prozis.

PROBLEMA TÉCNICO	CAUSA	SOLUCIÓN
Los auriculares inalámbricos derecho e izquierdo no se conectan automáticamente al retirarlos del estuche de carga.		iga las instrucciones proporcionadas en la sección "Eliminar la lista de dispositivos conectados almacenados en los auriculares inalámbricos".
		Encienda los auriculares inalámbricos manualmente manteniendo pulsados los dos botones multifunción durante 2 segundos.
		Los auriculares inalámbricos izquierdo y derecho se conectan automáticamente y el indicador luminoso LED parpadeará en rojo/verde de manera intermitente.
		Siga las instrucciones proporcionadas en la sección "Conexión" para conectar los auriculares inalámbricos con su teléfono inteligente, ordenador u otro dispositivo mediante BT .
El dispositivo no emite sonido.	El volumen del dispositivo conectado es demasiado bajo.	Ajuste el volumen del dispositivo conectado (teléfono inteligente, ordenador, televisor, etc.).

Certificado de garantía

Todos los productos eléctricos y electrónicos comercializados por Prozis a través de www.prozis.com están cubiertos por la garantía aplicable a la compraventa de bienes de consumo.

CONSIDERACIONES GENERALES

En el presente documento se describen los términos y condiciones de la garantía que Prozis ofrece a sus clientes finales.

La presente garantía se aplica exclusivamente a los clientes que adquieran el producto para fines no profesionales.

PERÍODO DE GARANTÍA

Prozis garantiza que el producto no presentará defectos de materiales ni de fabricación durante un período de 2 años a partir de la fecha de compra por parte del cliente y su respectiva entrega, o durante un periodo más largo si así lo establece la legislación nacional vigente.

En caso de que el producto requiera reparación, el plazo de garantía de 2 años se suspende durante el período en que el artículo se encuentre en reparación.

CONSUMIBLES

La reducción gradual del rendimiento como consecuencia del uso prolongado de los componentes consumibles del producto, como las pilas/baterías, no está cubierta por esta garantía a menos que la avería sea atribuible a defectos de diseño, material o fabricación.

CÓMO PRESENTAR UNA RECLAMACIÓN

Para poder ejercer su derecho de garantía, deberá ponerse en contacto con el Servicio de Atención al Cliente de Prozis a través de los canales de comunicación indicados en la página web de Prozis y seguir las instrucciones o recomendaciones proporcionadas.

La información de contacto y asistencia técnica también se encuentra disponible al final de la presente garantía.

Cualquier reclamación relacionada con la presente garantía solo será válida si el cliente original presenta el justificante de compra, pudiendo este ser la factura o el recibo original que permita comprobar la fecha de compra y el modelo del producto.

REPARACIONES EN GARANTÍA

Las reparaciones en garantía no pueden efectuarse por servicios técnicos de terceras partes. La presente garantía no cubre reparaciones o daños directamente ocasionados por dichas reparaciones que hayan afectado o provocado los daños que son objeto de la reclamación de garantía.

EXCLUSIONES

Quedan excluidas de la cobertura los siguientes casos:

1. Cualquier desgaste de piezas y componentes como consecuencia del uso normal del producto.
2. Daños estéticos externos como agrietamientos, abolladuras, arañazos y otros tipos de daños superficiales.
3. Cualquier avería provocada por un uso inadecuado del producto, contraviniendo lo especificado en las instrucciones del manual de uso.
4. Uso y almacenamiento inadecuado del producto, contraviniendo lo especificado en las instrucciones del manual de uso.
5. Intento de reparación del producto por un tercero no autorizado.
6. Cambios o alteraciones de piezas o componentes internos o externos.
7. Daños producidos por fuga del contenido de las pilas/baterías como consecuencia de la ruptura de cualquiera de sus componentes, o por el uso incorrecto del producto.

8. Averías o daños por razones que no pueden atribuirse a la fabricación o diseño del producto.
9. Uso del producto en actividades profesionales, comerciales o empresariales.
10. Avería debido a un uso que no respeta las normas técnicas o de seguridad vigentes o las instrucciones del manual del uso.

Los servicios proporcionados por Prozis de reparación o arreglo de cualquier fallo o avería como consecuencia de cualquiera de las situaciones excluidas anteriormente mencionadas estarán sujetos al pago de costes de mano de obra, transporte y componentes.

El cliente asumirá todos los riesgos de pérdidas y daños que pueda sufrir el producto durante el transporte a Prozis. La presente garantía quedará anulada si las etiquetas o los adhesivos del producto devuelto han sido retirados o están dañados, manipulados o modificados de alguna manera.

LIMITACIÓN DE RESPONSABILIDAD

Prozis no se responsabiliza de daños o pérdidas indirectos como consecuencia del uso del producto.

CÓMO SOLICITAR EL SERVICIO DE GARANTÍA

Para obtener el servicio de garantía, primero deberá ponerse en contacto con el Servicio de Atención al Cliente de Prozis a través de los canales de comunicación indicados en la página web de Prozis y seguir las instrucciones o recomendaciones proporcionadas.

Envíe el producto en su embalaje original, incluyendo todos los accesorios y documentación a la siguiente dirección:

PROZIS
Rua do Cais, n° 198
4830-345 Póvoa do Lanhoso
Braga - Portugal

CONTACTO

Para cualquier información adicional, Prozis estará siempre a su disposición a través de nuestro canal de comunicación del Servicio de Atención al Cliente, disponible en www.prozis.com/support.

Prozis é uma marca comercial registada da PROZIS.COM, S.A.

A Prozis reserva-se o direito de ajustar ou modificar o produto ou qualquer documentação associada com o intuito de garantir a sua aptidão para utilização, a qualquer altura e sem aviso prévio.

A versão mais recente deste documento, que poderá conter tais ajustes ou modificações, está disponível para consulta no site www.prozis.com.

Declaração de conformidade legal

A Prozis declara pelo presente documento que os Soundpods Airia estão totalmente em conformidade com todas as normas especificadas na legislação aplicável, bem como com outras cláusulas relevantes.

A Prozis estará sempre disponível para esclarecimentos adicionais através dos canais de comunicação de apoio ao cliente em www.prozis.com/support.



Para evitar qualquer impacto no ambiente ou na saúde humana devido a substâncias perigosas presentes em dispositivos elétricos e eletrónicos, espera-se que os utilizadores finais de tais dispositivos compreendam o significado do símbolo que consiste num contentor do lixo riscado. Não elimine equipamentos elétricos e eletrónicos juntamente com resíduos domésticos indiferenciados, mas sim de forma separada e adequada.



A embalagem que protege o dispositivo contra danos de transporte é feita de materiais não poluentes que podem ser eliminados nos pontos de reciclagem locais.

Avisos de segurança



DECLARAÇÃO DE ADVERTÊNCIA

Para evitar eventuais lesões auditivas permanentes, não ouça com o volume elevado durante longos períodos de tempo.



CUIDADO!

Este símbolo indica situações perigosas que podem provocar ferimentos ligeiros ou danos, falhas e/ou a destruição do dispositivo.

- Não deixe os soundpods sem supervisão durante o carregamento.
- Quando carregar o dispositivo, garanta uma boa ventilação e coloque-o sempre sobre superfícies não inflamáveis. Não utilize os soundpods durante o carregamento.
- Utilize apenas os acessórios fornecidos e não tente modificar, montar ou desmontar o produto de nenhuma forma. Ao fazê-lo, irá anular a garantia.
- Não permita que crianças ou animais de estimação brinquem com o dispositivo. Este dispositivo não é um brinquedo e contém peças pequenas que podem representar perigo de asfixia.
- Não utilize nem carregue o dispositivo durante uma tempestade.
- Nunca utilize os soundpods em situações que exigem a sua total atenção, como quando conduz ou opera máquinas.

- Não utilize detergentes abrasivos nem produtos químicos para limpar os soundpods.
- Proteja o produto de sujidade, humidade e sobreaquecimento e utilize-o apenas num ambiente seco.
- Não exponha o dispositivo a luz solar direta ou a temperaturas extremas (superiores a 40 °C/104 °F).
- Não deixe cair o produto e garanta que não é submetido a grandes choques elétricos. Prima os botões do dispositivo com cuidado.
- Não continue a utilizar o produto se ficar danificado.

MANUTENÇÃO E LIMPEZA

- Desligue os soundpods e todas as fichas elétricas antes de limpar.
- Para evitar possíveis danos, certifique-se de que não entra humidade no dispositivo durante a limpeza. Nunca utilize produtos químicos ou detergentes agressivos.

ARMAZENAMENTO

- Desligue os soundpods quando não estiverem a ser utilizados.
- Guarde o dispositivo num ambiente seco, afastado de luz solar direta e humidade.
- Evite o armazenamento a temperaturas extremas (superiores a 65 °C/149 °F ou inferiores a -10 °C/14 °F).

Manual de utilizador

CONTEÚDOS DA EMBALAGEM

- 1 x Soundpods Airia da Prozis (par)
- 1 x Caixa de carregamento
- 1 x Cabo de carregamento USB
- 3 x Capas de proteção (S/M/L)
- 1 x Manual de utilizador

ESPECIFICAÇÕES TÉCNICAS

- Versão BT: V5.0
- Perfil de compatibilidade: HSP1.2, HFP1.7, A2DP1.3, AVRCP1.6, SPP1.2
- Alcance sem fios: 10 m
- Nome de emparelhamento: Prozis Airia
- Diâmetro do altifalante: 6±1 mm
- Resposta em frequência: 20 Hz - 20 kHz
- Bateria de lítio: Auriculares 40 mAh x 2 | Caixa de carregamento 400 mAh
- Tempo de reprodução: 4 h 30 m*
- Tempo de carregamento: 1 h 30 m
- Modo do carregador: 5 V - 500 mA
- Classificação IP: IPX4

*O desempenho real da bateria poderá variar consoante as definições, o ambiente e a utilização.

DESCRIÇÃO DO PRODUTO (CONSULTAR A PÁGINA 2)

1. Botão da caixa de carregamento

Prima o botão na parte da frente da caixa. Os indicadores de luz LED irão acender de acordo com o nível da bateria:

- Se os quatro indicadores estiverem acesos, a bateria está totalmente carregada.
- Se apenas um indicador estiver aceso, a bateria está fraca e precisa de carregar.

2. Luz indicadora LED da caixa de carregamento
3. Porta micro USB para carregamento
4. Botão multifunções do soundpod
5. Luz indicadora LED do soundpod
6. Local de armazenamento do soundpod
7. Pinos de carregamento do soundpod
8. Microfone integrado do soundpod

INSTRUÇÕES DE FUNCIONAMENTO

Carregar os soundpods

1. Coloque os soundpods dentro da caixa.
2. Irão desligar automaticamente e irão começar a carregar.
3. A luz indicadora LED irá permanecer a vermelho durante o carregamento. Irá desligar quando os soundpods estiverem totalmente carregados. O processo de carregamento demora normalmente 2,5 horas.

Alarme de bateria fraca

Se a bateria estiver fraca (menos de 10%) e a sua tensão for inferior a 3,3 V, será reproduzido um som de aviso breve a cada 3 minutos e a luz indicadora LED vermelha irá piscar 3 vezes a cada 3 minutos.

Se a tensão da bateria for inferior a 3,1 V, será reproduzido um som de aviso breve e a ligação BT será automaticamente desligada.

Carregar a caixa do soundpod

1. Localize o conector na caixa.
2. Utilize o cabo de carregamento micro USB fornecido com o dispositivo.
3. Ligue a extremidade pequena do cabo USB à caixa e ligue a extremidade grande a uma porta de alimentação USB ou a um adaptador de alimentação USB que liga a uma tomada elétrica.
4. O indicador de carregamento da bateria irá piscar durante o carregamento. Uma luz branca sólida irá permanecer acesa quando a caixa estiver completamente carregada.

Nota:

As baterias deverão ser carregadas com regularidade se forem armazenadas durante longos períodos de tempo (pelo menos uma vez a cada 30 dias).

INSTRUÇÕES DE UTILIZAÇÃO

LIGAR E DESLIGAR

LIGAR manualmente	Prima continuamente ambos os botões multifunções do soundpod durante cerca de 2 segundos. Assim que os soundpods ligarem, irá ouvir a mensagem "Power on" (Ligado) e a luz indicadora LED verde irá piscar durante 1 segundo.
DESLIGAR manualmente	Prima continuamente ambos os botões multifunções durante cerca de 3 segundos. Assim que os soundpods desligarem, irá ouvir a mensagem "Power off" (Desligado) e a luz indicadora LED vermelha irá piscar durante 2 segundos.
LIGAR automaticamente	Os soundpods ligam automaticamente assim que os retira da caixa de carregamento. Irá ouvir a mensagem "Power On" (Ligado) e a luz indicadora verde irá piscar durante 1 segundo.

DESLIGAR automaticamente	Os soundpods desligam automaticamente quando são novamente colocados na caixa de carregamento. Irá ouvir a mensagem "Power Off" (Desligado) e a luz indicadora vermelha irá piscar durante 2 segundos.
EMPARELHAMENTO	
Emparelhar os soundpods direito e esquerdo	<p>Ao utilizar os soundpods pela primeira vez, siga o procedimento de emparelhamento abaixo: Coloque os soundpods dentro da caixa, prima continuamente ambos os botões multifunções durante cerca de 4 segundos. Irá piscar uma luz amarela que mudará para vermelha, indicando que os soundpods estão prontos para serem utilizados.</p> <p>Os soundpods ligam automaticamente assim que os retira da caixa de carregamento; alternativamente, pode ligá-los manualmente premindo continuamente ambos os botões multifunções durante 2 segundos.</p> <p>Os soundpods direito e esquerdo são automaticamente emparelhados após 20 segundos. A luz indicadora LED irá piscar a vermelho/verde automaticamente.</p>
Emparelhamento com um smartphone	<p>Certifique-se de que os soundpods estão desligados antes de iniciar o modo de emparelhamento.</p> <p>Prima continuamente ambos os botões multifunções durante cerca de 4 segundos. Os soundpods irão procurar uma ligação BT.</p> <p>Ligue as definições de BT no seu smartphone e aguarde até Prozis Airia surgir na lista de dispositivos BT encontrados.</p> <p>Selecione Prozis Airia e aguarde até os soundpods serem listados como ligados nas definições de BT do seu smartphone. Introduza "0000" se for solicitado um código PIN.</p> <p>Assim que a ligação tiver sido estabelecida, irá ouvir "Connected" (Ligado).</p> <p>Se a tentativa de ligação demorar mais de 3 minutos a concluir, os soundpods irão desligar automaticamente.</p>

Emparelhar com um computador ou outros dispositivos	<p>Deve utilizar um adaptador de BT se o seu computador não suportar uma ligação BT.</p> <p>Ligue o adaptador de BT à porta USB do computador e certifique-se de que a função BT do adaptador está ativada.</p> <p>Certifique-se de que os soundpods estão desligados antes de iniciar o modo de emparelhamento.</p> <p>Prima continuamente ambos os botões multifunções durante cerca de 4 segundos. Os soundpods irão procurar uma ligação BT.</p> <p>Abra o software de BT instalado no seu computador e selecione "Search for BT devices" (Procurar dispositivos BT) (consulte o manual de utilizador do software de BT se necessário) e aguarde que Prozis Airia apareça na lista de dispositivos BT encontrados.</p> <p>Selecione Prozis Airia e aguarde até os soundpods serem listados como ligados nas definições de BT do seu computador.</p> <p>Ligue o leitor multimédia para reproduzir música, ver TV ou filmes ou jogar jogos.</p>
Emparelhamento subsequente	Os soundpods ligam automaticamente quando os retira da caixa de carregamento ou também pode ligá-los manualmente premindo continuamente ambos os botões multifunções durante 2 segundos. Após 20 segundos, os soundpods irão iniciar automaticamente o emparelhamento com o último dispositivo emparelhado.
Limpar a lista de dispositivos emparelhados nos soundpods	Coloque os soundpods direito e esquerdo na caixa de carregamento. Prima continuamente os dois botões multifunções durante cerca de 4 segundos. Irá piscar uma luz amarela e esta irá mudar para vermelha, indicando que a lista de dispositivos emparelhados foi eliminada.

FUNÇÕES DE CHAMADAS TELEFÓNICAS	
Atender uma chamada	É reproduzido um sinal sonoro quando é recebida uma chamada. Para atender uma chamada, prima o botão multifunções uma vez. Pode utilizar os soundpods como modo mãos-livres.
Rejeitar uma chamada	Para rejeitar uma chamada, prima continuamente o botão multifunções durante 2 segundos. É reproduzido um som quando rejeita uma chamada.
Desligar uma chamada	Para desligar uma chamada, prima uma vez o botão multifunções.
FUNÇÕES DE REPRODUÇÃO DE ÁUDIO	
Reproduzir/ Pausar	Para pausar, prima uma vez o botão multifunções. Para retomar a reprodução, prima novamente o botão. A luz indicadora LED verde irá piscar uma vez a cada 6 segundos.
Faixa seguinte/ anterior	Para avançar para a faixa seguinte, prima rapidamente o botão multifunções duas vezes. Para voltar para a faixa anterior, prima rapidamente três vezes. A luz indicadora LED verde irá piscar uma vez a cada 6 segundos.
Assistente de voz	Prima continuamente o botão multifunções durante cerca de 1,5 segundos para ativar o assistente de voz. Certifique-se de que os soundpods estão emparelhados com o seu smartphone antes de iniciar o modo de assistente de voz. Será reproduzido um som quando o assistente de voz for ligado.

RESOLUÇÃO DE PROBLEMAS

Alguns problemas que poderão surgir podem ser resolvidos pelo utilizador. Se o problema persistir depois de tentar as soluções que se seguem, contacte o apoio ao cliente da Prozis.

PROBLEMA TÉCNICO	CAUSA	SOLUÇÃO
Os soundpods direito e esquerdo não emparelham automaticamente quando são retirados da caixa de carregamento.		Siga as instruções fornecidas na secção "Limpar a lista de dispositivos emparelhados nos soundpods".
		Ligue os soundpods manualmente premindo continuamente ambos os botões multifunções durante 2 segundos.
Não é emitido som.	O volume do seu dispositivo ligado está num nível baixo.	Os soundpods direito e esquerdo irão emparelhar automaticamente e a luz indicadora LED irá piscar a vermelho/verde alternadamente.
		Siga as instruções fornecidas na secção "Emparelhamento" para emparelhar os soundpods com o seu smartphone, computador ou outro dispositivo utilizando o BT.
		Ajuste o nível de volume do dispositivo ligado (smartphone, computador, televisor, etc.).

Declaração de garantia

Todos os produtos elétricos e eletrónicos comercializados pela Prozis através do site www.prozis.com estão abrangidos pela garantia aplicável à aquisição e venda de bens de consumo.

CONSIDERAÇÕES GERAIS

Este documento contém os termos e as condições da garantia da Prozis para consumidores finais.

Esta garantia é válida exclusivamente para consumidores que adquiriram o produto para fins não profissionais.

PERÍODO DE GARANTIA

A Prozis garante um produto sem defeitos de material e fabrico durante um período de 2 anos, a contar a partir da data de aquisição inicial pelo consumidor e respetiva entrega, ou durante mais tempo se legalmente determinado pela legislação nacional aplicável.

Na eventualidade de ser necessário efetuar uma reparação, este período de 2 anos é interrompido durante o tempo de reparação.

CONSUMÍVEIS

A redução gradual do desempenho causada pela utilização prolongada dos componentes consumíveis do produto, como pilhas/baterias, não se encontra abrangida por esta garantia, exceto se a avaria tiver sido causada por defeitos no design, nos materiais ou no fabrico.

COMO APRESENTAR UMA RECLAMAÇÃO

Se surgir a necessidade de exercer os direitos concedidos ao utilizador através desta garantia, entre em contacto com o apoio ao cliente da Prozis através dos canais de comunicação indicados no site da Prozis e siga as instruções ou recomendações fornecidas. As informações de contacto e assistência técnica também estão indicadas no final desta garantia.

Quaisquer reclamações efetuadas relativamente a esta garantia apenas serão válidas se for apresentada a prova de compra pelo cliente original. Esta prova de compra poderá ser a fatura ou o

recibo original, desde que inclua informações referentes à data de aquisição e ao nome do modelo do produto.

REPARAÇÕES DENTRO DA GARANTIA

As reparações ao abrigo desta garantia não podem ser efetuadas por terceiros. Esta garantia não se aplica a reparações, ou danos causados diretamente por tais reparações, que tenham afetado ou causado os danos que constituem o objeto desta reclamação de garantia.

EXCLUSÕES

As situações que se seguem não se encontram abrangidas por esta garantia:

1. Qualquer desgaste de peças e componentes resultante da utilização normal do produto.
2. Fissuras, amolgadelas, riscos e outros tipos de danos superficiais que afetam apenas o aspeto do produto.
3. Qualquer avaria causada por uma utilização inadequada do produto que não esteja de acordo com as instruções do manual de utilizador.
4. Utilização e armazenamento do produto que não estejam em conformidade com as instruções do manual de utilizador.
5. Abertura do produto por terceiros não autorizados a proceder à sua reparação.
6. Modificação ou alteração de peças ou componentes, quer sejam internos ou externos.
7. Danos causados por vazamento da pilha/bateria resultante da quebra de qualquer um dos seus componentes ou da utilização incorreta do produto.
8. Avaria ou danos devido a motivos que não podem ser atribuídos ao fabrico ou design do produto.
9. Utilização do produto no contexto de empresa, profissional ou comercial.

10. Avaria devido a uma utilização que não cumpra as normas técnicas ou de segurança em vigor ou as instruções do manual de utilizador.

Os serviços fornecidos pela Prozis de reparação ou correção de falhas ou avarias resultantes da verificação de qualquer uma das situações excluídas acima mencionadas estarão sujeitos ao pagamento dos custos com mão de obra, transporte e componentes.

O cliente deverá assumir todos os riscos de perda do produto e danos causados ao mesmo durante o transporte até à Prozis. Esta garantia será nula se o produto devolvido for recebido com etiquetas ou autocolantes que foram removidos, danificados, adulterados ou modificados de alguma forma.

RESPONSABILIDADE LIMITADA

A Prozis não pode ser responsabilizada por perdas ou danos indiretos devido à utilização do produto.

O QUE FAZER?

Para solicitar um serviço previsto na garantia, deve primeiro contactar o apoio ao cliente da Prozis através dos canais de comunicação indicados no site da Prozis e seguir as instruções e recomendações fornecidas.

Devolva o produto dentro da sua embalagem original, incluindo todos os acessórios e toda a documentação, para a seguinte morada:

PROZIS
Rua do Cais, n° 198
4830-345 Póvoa do Lanhoso
Braga - Portugal

CONTACTOS

A Prozis está sempre disponível para esclarecimentos adicionais através do seu canal de comunicação de apoio ao cliente em www.prozis.com/support.

PROZIS

PROZIS.COM, S.A.

Zona Franca Industrial
Plat 28 - Pavilhão K - Mod 6
9200-047 Caniçal, Madeira